



SPARE PARTS CATALOGUE

0091 757 023b 11/2005

16 S 1650

ZF Parts list n° 1297 095 111

customer: MAZ

ZF do Brasil Ltda.

part list: 1297 095 111

16S-1650 / OD*LL*D-L H-H* MAZ

| item | text | mod.no. |
|------|---|---------|
| A10 | CUSTOMER : MAZ | |
| A14 | COUNTRY : BIELO RUSSIA | |
| A16 | CUST.SPEC.NO: CODE: | |
| F06 | INSTAL.POSITION:HOR.LH*FLANGE MONTED* | |
| F10 | RATIO: 11,64 - 0,83 | |
| | H11,64 * 8,00 * 5,73 * 4,07 * 2,86 * 1,96 * 1,41 * 1,00 * R9,41 * | |
| | S9,70 * 6,67 * 4,77 * 3,40 * 2,38 * 1,64 * 1,17 * 0,83 * R7,84 * | |
| F34 | CONTROL : LATERAL LH H-H | |
| F38 | SEPARAT.CLUTCH: SYNCHRONIZED | |
| F40 | INPUT SHAFT : L=115* SAE 10C 2" | |
| F46 | REL.BRG.CARRIER: Ø60f8 X L=60 | |
| | CLUTCH BELL HOUSING NOT STANDARD | |
| | CLUTCH FORK PULL TYPE X OPENING 78mm | |
| F50 | OUTPUT :STANDARD BEARINGS | |
| F52 | OUTP.FLANGE: RA : BOLT 4XM14X1.50X50 * | |
| F64 | CONN.OF GEARSHIFT: | |
| F66 | CONTROL G. SHIFT SHAFT : A=273 | |
| F68 | MEAS POINT SHIFTLEVER | |
| F74 | SHIFT LEVER : R=75 | |
| F78 | GEARSHIFT FLANGE : G (CUSTOMER) | |
| F80 | SHIFT LEVER : POS. | |
| F84 | DIMENSION : S (CUSTOMER) | |
| F90 | SETTING DIMENSION:S=(CUSTOMER) | |
| F94 | ANGLE LEVER : E21° | |
| F96 | SET OF SPRINGS : LAYOUT Q1 * | |
| F98 | PAWL STOP: SPRING FORCE RG=300N | |
| G16 | SELECTION PATTERN: I | |
| G30 | SWITCH : RG * WITH * NA | |
| G32 | SWITCH : NG * WITH * NF | |
| G36 | SWITCH : GP * WITH * NA | |
| G56 | SWITCH : GV * WITH * NF | |

part list: 1297 095 111

16S-1650 / OD*LL*D-L H-H* MAZ

| item | text | mod.no. |
|------|------------------------------------|---------|
| G60 | AUXILIARY UNITS/ACCESSORIES | |
| G64 | HEAT EXCHANGER FRONT LEFT PREP* | |
| H50 | ELETRONIC : | |
| H68 | PULSE TRANSMITTER: E/Z6 | |
| M00 | DRAWING: | |
| M12 | ASSEMBLY DRAWING 1297.695.116(0) | |
| M14 | SECTION 1295.107.071(0) | |
| M16 | SECTION 1297.095.019(0) | |
| M90 | OIL CAPACITY: AP. 14,5L | |
| M92 | OIL GRADE ACC.TO ZF:TE-ML02 | |
| M94 | MASS: APPRX. 390,0 KG | |
| M96 | PAINT:DEEP-BLACK*RAL 9005*ZFN915W | |
| M98 | PRESERVATION:KA2 T/KI2/S09*ZFN 916 | |
| S02 | VEHICLE DATA 1: | |
| S04 | MODEL : SEMI-TRAILLER | |
| | GVW 6X4 :65.000 KG | |
| | MARKET : BIELO RUSSIA | |
| | APPLICATION :ON ROAD | |
| | MOTOR : YAMZ 7511 | |
| | 294KW @ 1900rpm | |
| | 1715N.m @ 1100rpm | |
| S18 | CLUTCH PULL TYPE MFZ 430 | |
| | REAR AXLE : I:3,86 | |
| | PNEU : 295/80 R22,5 | |
| | rdyn :0,506m | |
| | FRONT AREA : 8,0m²(ADOPTED) | |
| | FR : 0,01 (ADOPTED) | |
| | CW : 0,85 (ADOPTED) | |
| | 80 MISCELLANEOUS MATERIAL | |

part list: 1297 095 111

16S-1650 / OD*LL*D-L H-H* MAZ

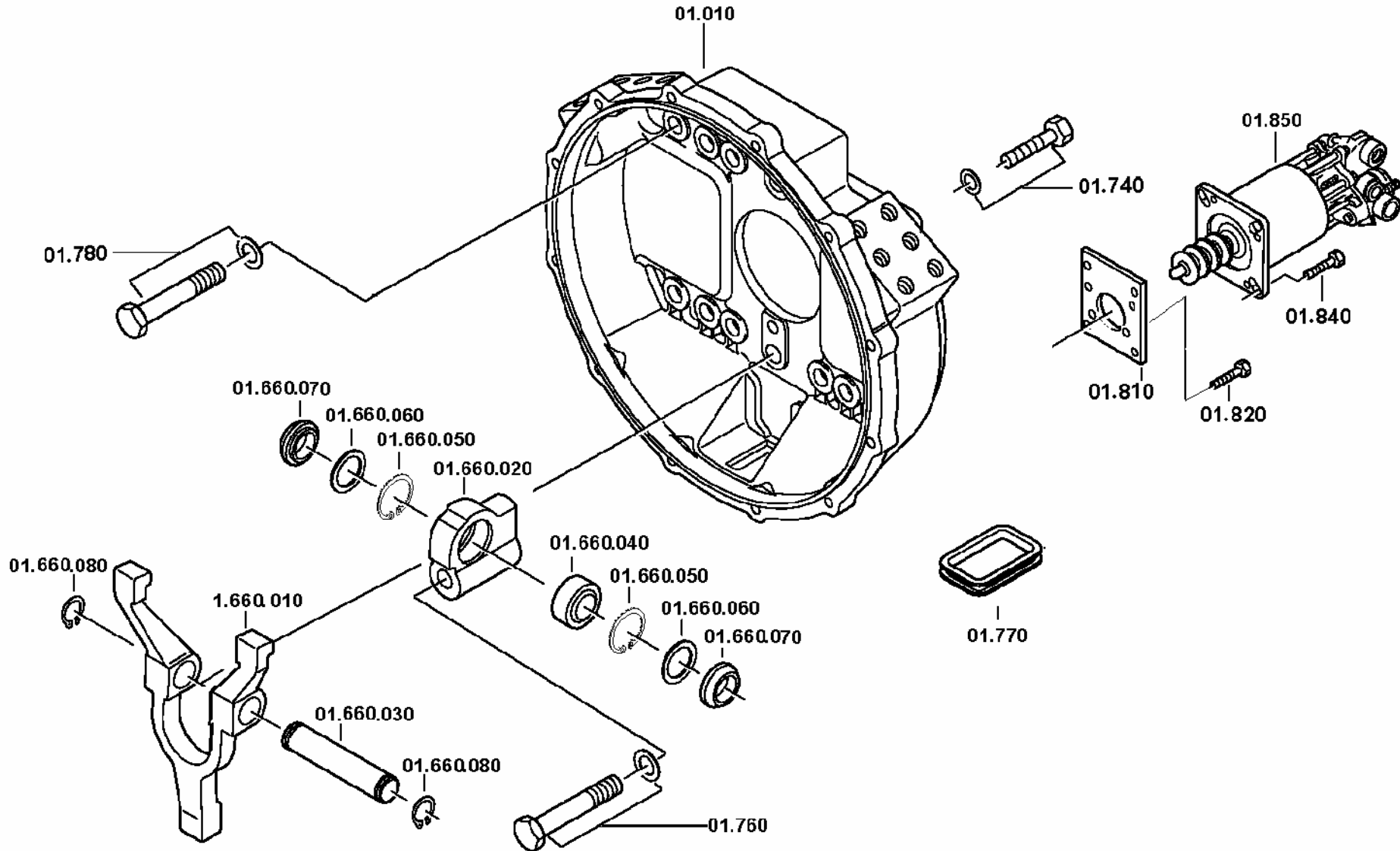
| figure | part no. | description | mod.n° | technical information |
|--------------|--------------|-------------------|--------|-----------------------|
| 0097 660 001 | 0091 101 256 | CLUTCH HOUSING | | |
| 0097 001 005 | 0091 101 215 | GEARBOX HOUSING | | |
| 0097 001 004 | 0091 101 255 | GEARBOX HOUSING | | |
| 0097 002 003 | 0091 102 072 | INPUT SHAFT | | |
| 0097 002 003 | 0091 102 219 | INPUT SHAFT | | |
| 0097 002 003 | 0091 102 220 | CONN.PLATE | | |
| 0097 003 001 | 0091 103 080 | LAY SHAFT | | |
| 0097 004 004 | 0091 104 115 | MAIN SHAFT | | |
| 0097 004 004 | 0091 104 213 | MAIN SHAFT | | |
| 0097 006 003 | 0091 106 073 | GEAR SHIFT RAIL | | |
| 0097 007 003 | 0091 107 135 | GEAR SHIFT SYSTEM | | |
| 0097 007 003 | 0091 107 318 | GEAR SHIFT SHAFT | | |
| 0097 007 003 | 0091 107 312 | COVER | | |
| 0097 007 003 | 0091 107 319 | CONN.PARTS | | |
| 0097 007 003 | 0091 107 179 | CONN.PARTS | | |
| 0097 049 003 | 0091 149 029 | SET OF SPRINGS | | |
| 0097 012 004 | 0091 112 010 | GV-SHIFT SYSTEM | | |
| 0097 012 004 | 1295 112 449 | CONNECTING PARTS | | |
| 0097 012 004 | 1295 112 440 | CYLINDER | | |
| 0097 031 004 | 0091 131 043 | GP HOUSING | | |
| 0097 031 003 | 1295 131 084 | COVER | | |
| 0097 031 003 | 1295 131 400 | CONN.PLATE | | |
| 0097 032 003 | 0091 132 062 | PLANETARY DRIVE | | |
| 0097 032 003 | 1297 132 800 | PLANETARY DRIVE | | |
| 0097 032 004 | 0091 132 006 | OUTPUT FLANGE | | |
| 0097 033 002 | 1297 133 004 | SYNCHRONIZER | | |
| 0097 033 002 | 1295 133 401 | SYNCHRONIZER | | |
| 0097 034 004 | 0091 134 016 | GP.SHIFT SYSTEM | | |
| 0097 034 004 | 0091 134 015 | CONN.PARTS | | |
| 0097 059 001 | 0091 159 019 | RANGE SELECTION | | |

parts list:
figure:

1297 095 111
0097 660 001

16S 1650 / OD * LL * D-L H-H * MAZ
CLUTCH HOUSING

*depending on parts list n°.



part list: 1297 095 111
figure: 0097 660 001

16S-1650 / OD*LL*D-L H-H* MAZ
CLUTCH HOUSING

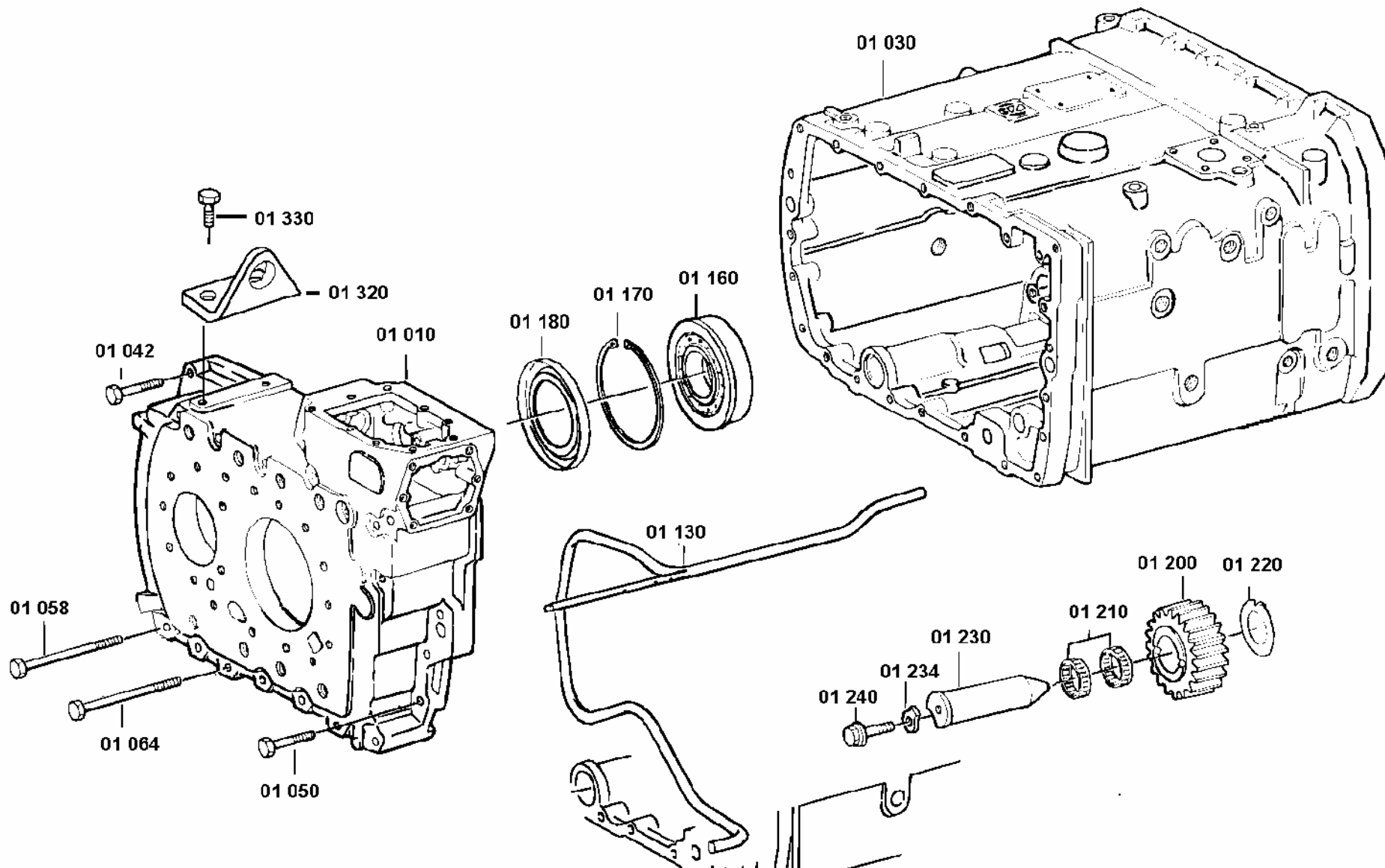
| FIG. | QTY. | PART-NUMBER | DESCRIPTION | OPT. | MOD.NO. | TECHNICAL INFORMATION |
|------|------|--------------|-----------------|------|---------|-------------------------------------|
| 010 | 1 | 6060 201 261 | CLUTCH HOUSING | | 60065 | |
| /010 | 1 | 0091 268 001 | CLUTCH FORK | | | |
| /020 | 1 | 0091 306 107 | BEARING BRACKET | | 60219 | |
| /030 | 1 | 0501 398 765 | PIN | | 58894 | |
| /040 | 1 | 0635 285 060 | ARTIC. ROLLER | | | GE25 UK-2RS 25x42x20 FA.ELGES |
| /050 | 2 | 0630 502 023 | RETAINING RING | | | 42X1,75 DIN 472 |
| /060 | 2 | 0501 315 198 | SEALING RING | | | 32 X 42 X5 FA.CFW. |
| /070 | 2 | 6060 306 087 | SEALING WASHER | | | |
| /080 | 1 | 0630 501 020 | RETAINING RING | | | 25X1,2 DIN 471 |
| 740 | 1 | | HEXAGON SCREW | | | M12X35*DIN 933 * 8.8 * A3C |
| /010 | 1 | 0636 011 335 | HEXAGON SCREW | | | M12X35*DIN 933 * 8.8 * A3C |
| /020 | 1 | 0630 001 049 | WASHER | | | 13 DIN 125 AUSG.9 200 HV A3C |
| 760 | 1 | | HEXAGON SCREW | | | M18X1,5X145 * ISO 8765 * 8.8 * A3C |
| /010 | 1 | 0636 020 413 | HEXAGON SCREW | | | M 18X1,5X145 * ISO 8765 * 8.8 * A3C |
| /020 | 1 | 0630 001 021 | WASHER | | | 19 DIN 125 200HV AUSG.90- |
| 770 | 1 | 1315 301 230 | CLOSURE CAPE | | | |
| 780 | 7 | | HEXAGON SCREW | | | M18X1,5X70 * ISO 8765 * 8.8 * A3C |
| /010 | 7 | 0636 020 407 | HEXAGON SCREW | | | M18X1,5X70 * ISO 8765 * 8.8 * A3C |
| /020 | 7 | 0630 001 021 | WASHER | | | 19 DIN 125 200HV AUSG.90- |
| 810 | 1 | 6060 201 221 | INTERM.PLATE | | | DIN EN 1706 * EN AC-ALSI9CU3 |
| 820 | 4 | | HEXAGON SCREW | | | M8X20 ISO 4017 /ZFB 988 8.8 A3C |
| /010 | 4 | 0636 015 299 | HEXAGON SCREW | | | M8X20 ISO 4017 /ZFB 988 8.8 A3C |
| 840 | 4 | | HEXAGON SCREW | | | M8X14 ISO 4017 8.8 A3C |
| /010 | | 0636 015 406 | HEXAGON SCREW | | | M8X14 ISO 4017 8.8 A3C |
| 850 | 1 | 0501 006 570 | CYLINDER | | | 970.051.423.0 |

parts list:
figure:

1297 095 111
0097 001 004

16S 1650 / OD * LL * D-L H-H * MAZ
GEARBOX HOUSING

*depending on parts list n°.

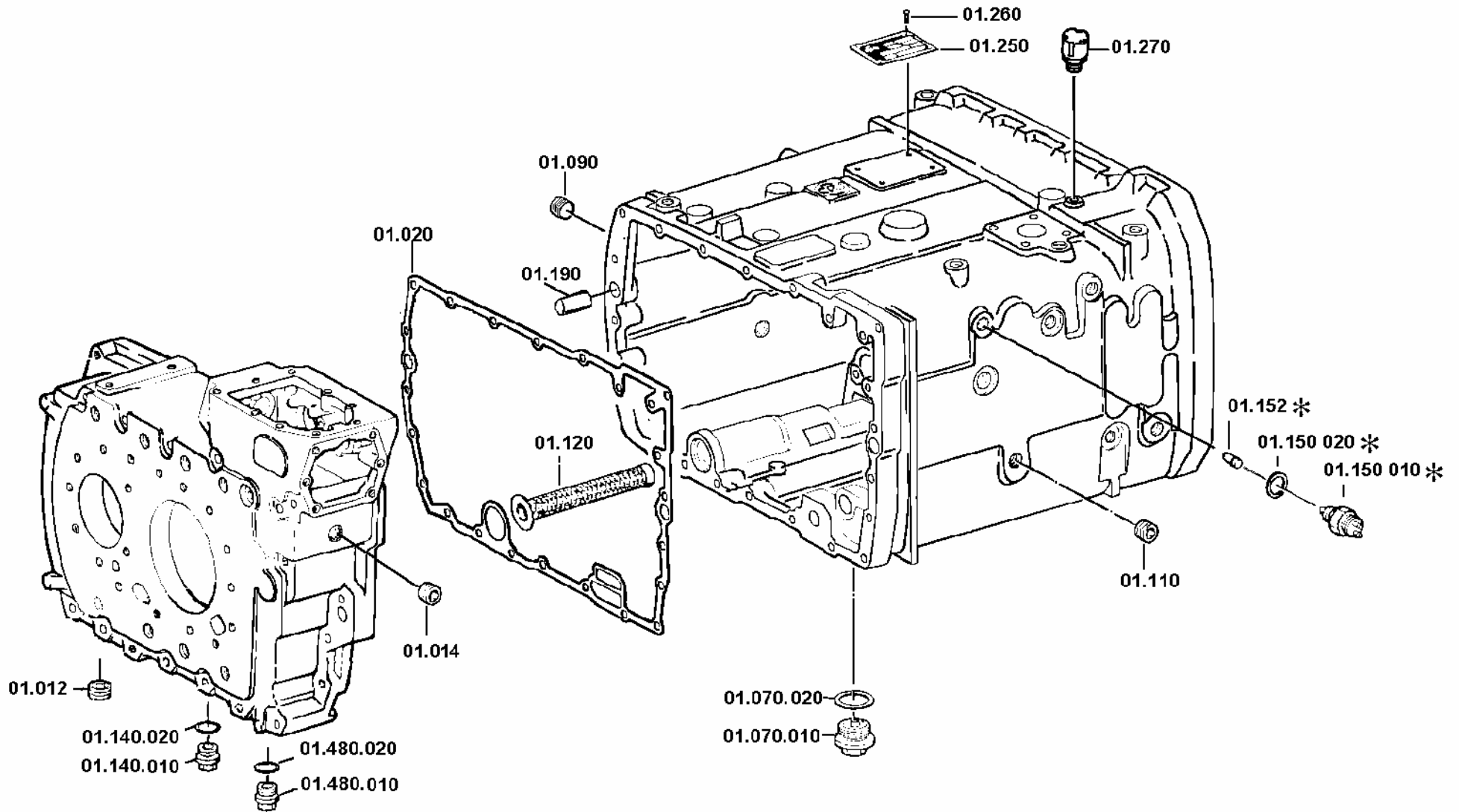


parts list:
figure:

1297 095 111
0097 001 005

16S 1650 / OD * LL * D-L H-H * MAZ
GEARBOX HOUSING

*depending on parts list n°.



part list: 1297 095 111
figure: 0097 001 005
0097 001 004

16S-1650 / OD*LL*D-L H-H* MAZ
GEARBOX HOUSING
GEARBOX HOUSING

| FIG. | QTY. | PART-NUMBER | DESCRIPTION | OPT. | MOD.NO. | TECHNICAL INFORMATION |
|------|------|--------------|---------------------|------|---------|---------------------------------|
| 010 | 1 | 0091 301 136 | HOUSING I | | | |
| 012 | 1 | | SCREW PLUG | | | M24X1,5*50N.M |
| | 1 | 0736 303 005 | SCREW PLUG | | | M24X1,5 |
| 014 | 1 | 0501 398 708 | SCREW PLUG | | | M24X1,5 *50,0N.M* |
| 020 | 1 | 1313 301 038 | GASKET | | | |
| 030 | 1 | 0091 301 164 | HOUSING II | | 59792 | |
| 042 | 2 | | HEX CAP SCREW | | | M10X55*46N.M*DIN931* |
| | 2 | 0636 010 172 | HEX CAP SCREW | | | M 10X55*DIN 931*8.8 |
| 050 | 6 | | HEX CAP SCREW | | | M10 X55*46N.M*DIN931* |
| | 6 | 0636 010 172 | HEX CAP SCREW | | | M 10X55*DIN 931*8.8 |
| 058 | 13 | | HEXAGON SCREW | | | M10X125 DIN931*ALT/8.8 |
| | 13 | 0636 010 205 | HEXAGON SCREW | | | M 10X125 DIN 931 ALT 8.8 |
| 064 | 2 | | HEXAGON SCREW | | | M10X125 DIN 931 ALT/8.8 |
| | 2 | 0636 010 205 | HEXAGON SCREW | | | M 10X 125 DIN 931 ALT 8.8 |
| 070 | 1 | | MAGNETIC SCREW PLUG | | | M38X1,5*140N.M*DICHTRING |
| /010 | 1 | 0501 398 755 | MAGNETIC SCREW PLUG | | 57775 | M38X1,5 DIN 7604 ST * FE/ZN5-8C |
| /020 | 1 | 0634 801 321 | SEALING RING | | | A 38 x 44*DIN 7603*AL |
| 090 | 1 | | SCREW PLUG | | | M24X1,5*50N.M |
| | 1 | 0736 303 005 | SCREW PLUG | | | M24X1,5 |
| 110 | 1 | | SCREW PLUG | | | M24X1,5*50N.M |
| | 1 | 0736 303 005 | SCREW PLUG | | | M24X1,5 |
| 120 | 1 | 0750 131 001 | FILTER | | | WTB |
| 130 | 1 | 0091 201 013 | SPRAY TUBE | | | |
| 140 | 1 | | SCREW PLUG | | | M22X1,5 * 60N.M*DICHTRING |
| /010 | 1 | 0636 302 045 | SCREW PLUG | | | M22X1,5*DIN 908*ST*A3C |
| /020 | 1 | 0634 801 074 | SEALING RING | | | A 22 X 27 DIN 7603 CU |

part list: 1297 095 111
figure: 0097 001 005
0097 001 004

16S-1650 / OD*LL*D-L H-H* MAZ
GEARBOX HOUSING
GEARBOX HOUSING

| FIG. | QTY. | PART-NUMBER | DESCRIPTION | OPT. | MOD.NO. | TECHNICAL INFORMATION |
|------|------|--------------|-------------------|------|---------|-----------------------------------|
| 150 | 1 | | SWITCH | | | SCHL 45,0NM DICHTRI *BAYONET |
| /010 | 1 | 0501 210 058 | SWITCH | | | |
| /020 | 1 | 0634 801 062 | SEALING RING | | | A18X24 DIN 7603 AL |
| 152 | 1 | 1295 212 007 | PIN | | | |
| 160 | 1 | 0501 398 714 | ROLLER BEARING | | | 80 X 140 X 33,4 FA F |
| 170 | 1 | | RETAINING RING | | | WTB A=3,65-4,00(ABSTUFUNG:0,05MM) |
| | 1 | 0630 502 097 | RETAINING RING | | | 148X4 J148*FA.ORBIS |
| | 1 | 0630 502 166 | RETAINING RING | | | 148X3,95 J*FA.ORBIS |
| | 1 | 0630 502 167 | RETAINING RING | | | 148X3,9 J* FA.ORBIS |
| | 1 | 0630 502 168 | RETAINING RING | | | 148X3,85 J* FA.ORBIS |
| | 1 | 0630 502 169 | RETAINING RING | | | 148X 3,8 J*FA.ORBIS |
| | 1 | 0630 502 170 | RETAINING RING | | | 148X 3,75 J*FA.ORBIS |
| | 1 | 0630 502 216 | RETAINING RING | | | |
| | 1 | 0630 502 217 | RETAINING RING | | | 148X3,65 J*FA.ORBIS |
| 180 | 1 | 1297 301 004 | OIL COLL.PLATE | | | |
| 190 | 2 | 0731 201 459 | CYLINDRICAL PIN | | | |
| 200 | 1 | 1295 305 052 | SPUR GEAR REVERSE | | | RE Z=24 |
| 210 | 2 | 0750 115 011 | NEEDLE CAGE | | | WTB 45,0X53,0X21,0 |
| 220 | 1 | 0730 150 064 | THRUST WASHER | | | |
| 230 | 1 | 1295 305 056 | REV.IDLER SHAFT | | | |
| 234 | 1 | 1295 305 057 | WASHER | | | |
| 240 | 1 | 0501 308 588 | LOCKING SCREW | | | |
| 250 | 1 | 0091 307 299 | TYPE PLATE | | | DIN 1745 AL99,5 F13 |
| 260 | 4 | 0501 398 460 | BLIND RIVET | | | 7,4X2,43 AIMG5 |

part list: 1297 095 111
figure: 0097 001 005
0097 001 004

16S-1650 / OD*LL*D-L H-H* MAZ
GEARBOX HOUSING
GEARBOX HOUSING

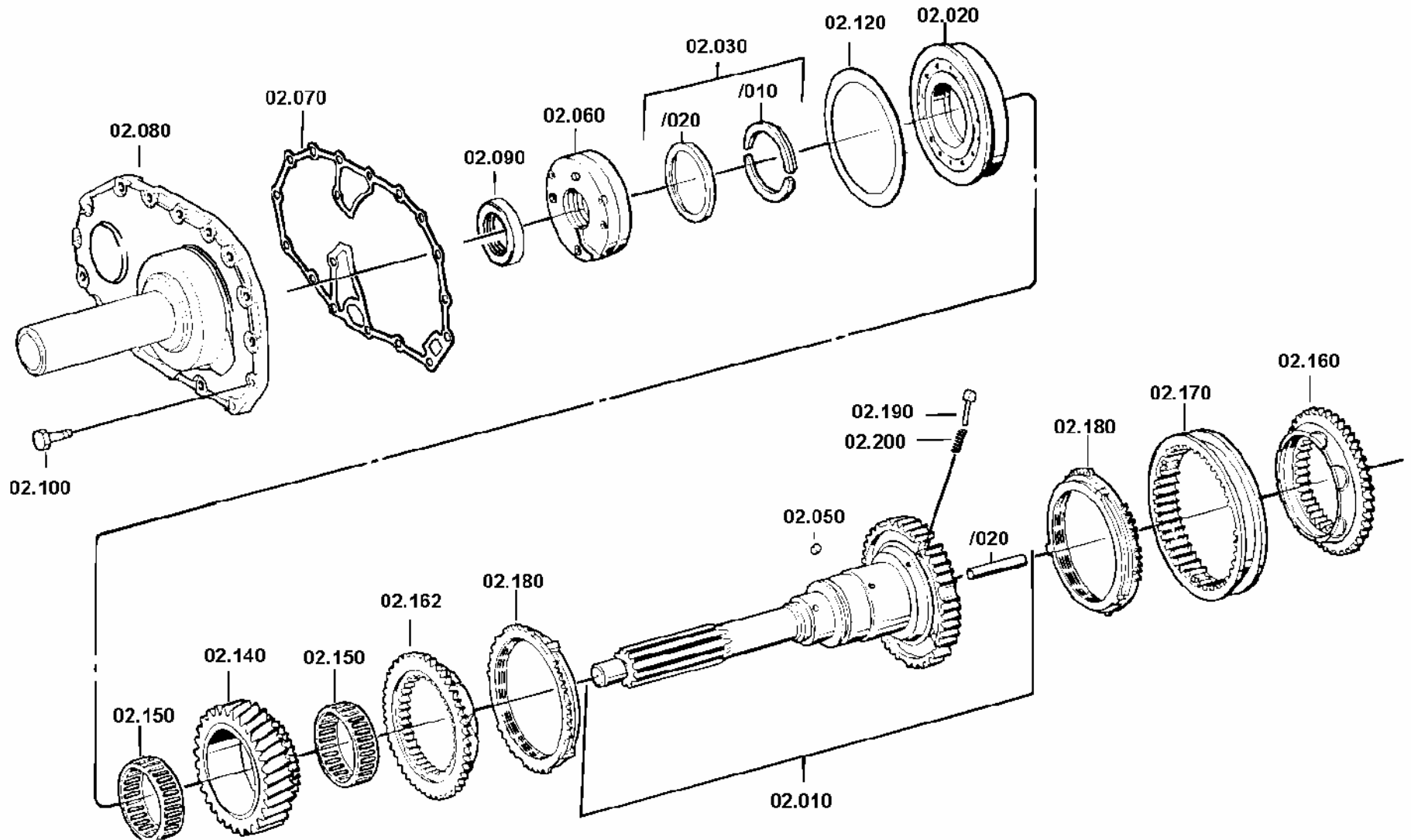
| FIG. | QTY. | PART-NUMBER | DESCRIPTION | OPT. | MOD.NO. | TECHNICAL INFORMATION |
|------|------|--------------|-----------------|------|---------|---------------------------|
| 270 | 1 | | BREATHER | | | |
| | 1 | 0501 202 797 | BREATHER | | | |
| 320 | 1 | 0091 301 167 | GEARBOX SUPPORT | | | |
| 330 | 2 | 0636 015 264 | HEX CAP SCREW | | | M10X20 ISO 4017 8.8 A3C |
| 480 | 1 | | SCREW PLUG | | | M22X1,5 * 60N.M*DICHTRING |
| /010 | 1 | 0636 302 045 | SCREW PLUG | | | M22X1,5*DIN 908*ST*A3C |
| /020 | 1 | 0634 801 074 | SEALING RING | | | A 22 X 27 DIN 7603 CU |
| | | | | | | |

parts list:
figure:

1297 095 111
0097 002 003

16S 1650 / OD * LL * D-L H-H * MAZ
INPUT SHAFT

*depending on parts list n°.



part list: 1297 095 111
figure: 0097 002 003

16S-1650 / OD*LL*D-L H-H* MAZ
INPUT SHAFT

| FIG. | QTY. | PART-NUMBER | DESCRIPTION | OPT. | MOD.NO. | TECHNICAL INFORMATION |
|------|------|--------------|-----------------|------|---------|------------------------|
| 010 | 1 | 0091 202 062 | INPUT SHAFT | | | CPL. |
| /020 | 1 | 0730 062 323 | PIPE | | | A=60,00 EE |
| 020 | 1 | 0750 118 130 | CY.ROLL.BEARING | | | WTB 80,0X150,0X27,5 |
| 030 | 1 | | SPLIT RING | | | WTB |
| /010 | 1 | 1295 202 034 | SPLIT RING | X | | CPL.GESTANZT |
| | 1 | | SPLIT RING | | | 4,00(ABSTUFUNG:0,10MM) |
| | 1 | 0730 105 156 | SPLIT RING | | | A=4,00 |
| | 1 | 0730 105 155 | SPLIT RING | | | A=3,90 |
| | 1 | 0730 105 154 | SPLIT RING | | | A=3,80 |
| /020 | 1 | 0730 062 579 | RETAINING RING | | | A=4,20 |
| | 1 | 1295 202 033 | SPLIT RING | X | | |
| /010 | 1 | | SPLIT RING | | | 4,30(ABSTUFUNG:0,05MM) |
| | 1 | 0730 103 244 | SPLIT RING | | | A=4,30 |
| | 1 | 0730 104 338 | SPLIT RING | | | A=4,25 |
| | 1 | 0730 104 337 | SPLIT RING | | | A=4,20 |
| | 1 | 0730 103 941 | SPLIT RING | | | A=4,10 |
| | 1 | 0730 103 940 | SPLIT RING | | | A=4,05 |
| | 1 | 0730 103 939 | SPLIT RING | | | A=4,00 |
| | 1 | 0730 103 938 | SPLIT RING | | | A=3,95 |
| | 1 | 0730 103 937 | SPLIT RING | | | A=3,90 |
| | 1 | 0730 103 936 | SPLIT RING | | | A=3,85 |
| | 1 | 0730 103 935 | SPLIT RING | | | A=3,80 |
| /020 | 1 | 0730 061 816 | RETAINING RING | | | 81X93X7,5 |
| 050 | 1 | 0635 470 012 | CYL.ROLLER | | | 7 X 7 DIN 5402 |
| 060 | 1 | 1295 202 054 | PUMP | | | |
| 070 | 1 | 1313 302 014 | GASKET | | | |
| 080 | 1 | 0091 302 306 | CONN. PLATE | | | |

part list: 1297 095 111
figure: 0097 002 003

16S-1650 / OD*LL*D-L H-H* MAZ
INPUT SHAFT

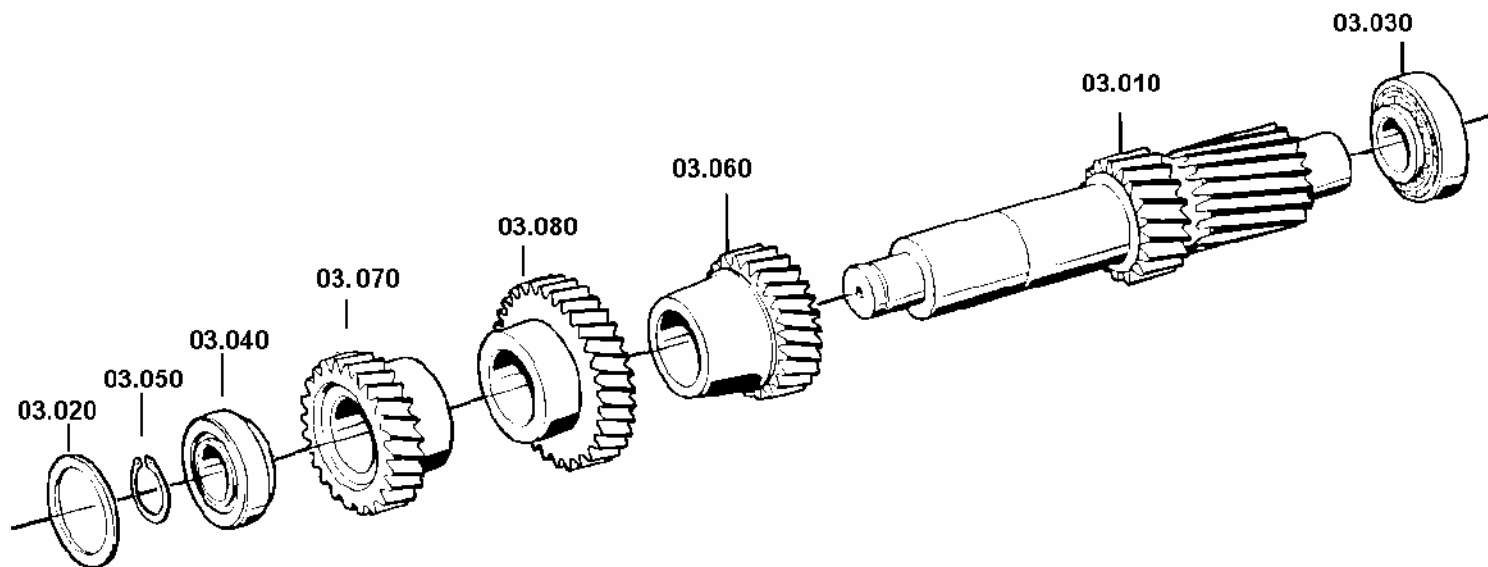
| FIG. | QTY. | PART-NUMBER | DESCRIPTION | OPT. | MOD.NO. | TECHNICAL INFORMATION |
|------|------|--------------|--------------------|------|---------|------------------------|
| 090 | | 0734 310 386 | SHAFT SEAL | | 58951 | 55X75X8 FA CFW |
| 100 | 16 | | HEX.CAP.SCREW | | | M10X25 DIN 933 8.8 |
| | 16 | 0636 015 120 | HEX.CAP.SCREW | | | M10X25 DIN 933 8.8 |
| 120 | 1 | | SHIM | | | 0,80(ABSTUFUNG:0,08MM) |
| | 1 | 0730 103 804 | SHIM | | | A=0,80 |
| | 1 | 0730 108 096 | SHIM | | | A=0,75 |
| | 1 | 0730 102 505 | SHIM | | | A=0,70 |
| | 1 | 0730 102 504 | SHIM | | | A=0,60 |
| | 1 | 0730 102 503 | SHIM | | | A=0,50 |
| 140 | 1 | 0091 302 294 | HELICAL GEAR | | | 1M KONST.Z=36 ZF7B |
| 150 | 2 | 0735 320 896 | NEEDLE CAGE | | | 88 X 96 X 29*FA.SKF |
| 160 | 1 | 0091 304 311 | CLUTCH BODY | | | ZF-BK 150 |
| 162 | 1 | 0091 304 310 | CLUTCH BODY | | | ZF-BK-150 |
| 170 | 1 | 1310 304 202 | SLIDING SLEEVE | | 59567 | ZF-BK150 |
| 180 | 2 | 1297 304 484 | SYNCHRONIZER RING | | | ZF-BK150 |
| 190 | 3 | 1297 304 436 | PRESSURE PIECE | | | |
| 200 | 3 | 0732 040 409 | COMPRESSION SPRING | | | |

parts list:
figure:

1297 095 111
0097 003 001

16S 1650 / OD * LL * D-L H-H * MAZ
LAY SHAFT

*depending on parts list n°.



part list: 1297 095 111
figure: 0097 003 001

16S-1650 / OD*LL*D-L H-H* MAZ
LAY SHAFT

| FIG. | QTY. | PART-NUMBER | DESCRIPTION | OPT. | MOD.NO. | TECHNICAL INFORMATION |
|------|------|--------------|--------------------|------|---------|----------------------------------|
| 010 | 1 | 0091 303 156 | INTERMEDIATE SHAFT | | | |
| 020 | 1 | | SHIM | | | 3,25(ABSTUFUNG:0,05MM) DIN 17222 |
| | 1 | 0730 103 117 | SHIM | | | A=3,25 |
| | 1 | 0730 103 116 | SHIM | | | A=3,20 |
| | 1 | 0730 103 115 | SHIM | | | A=3,15 |
| | 1 | 0730 103 114 | SHIM | | | A=3,10 |
| | 1 | 0730 102 098 | SHIM | | | A=3,05 |
| | 1 | 0730 102 099 | SHIM | | | A=3,00 |
| | 1 | 0730 102 100 | SHIM | | | A=2,95 |
| | 1 | 0730 102 101 | SHIM | | | A=2,90 |
| | 1 | 0730 102 102 | SHIM | | | A=2,85 |
| | 1 | 0730 102 103 | SHIM | | | A=2,80 |
| | 1 | 0730 102 104 | SHIM | | | A=2,75 |
| | 1 | 0730 102 105 | SHIM | | | A=2,70 |
| | 1 | 0730 102 106 | SHIM | | | A=2,65 |
| | 1 | 0730 102 060 | SHIM | | | A=2,60 |
| | 1 | 0730 102 061 | SHIM | | | A=2,55 |
| | 1 | 0730 102 062 | SHIM | | | A=2,50 |
| | 1 | 0730 102 063 | SHIM | | | A=2,45 |
| | 1 | 0730 102 064 | SHIM | | | A=2,40 |
| | 1 | 0730 102 065 | SHIM | | | A=2,35 |
| | 1 | 0730 102 066 | SHIM | | | A=2,30 |
| | 1 | 0730 102 067 | SHIM | | | A=2,25 |
| | 1 | 0730 102 068 | SHIM | | | A=2,20 |
| | 1 | 0730 102 069 | SHIM | | | A=2,15 |
| | 1 | 0730 102 070 | SHIM | | | A=2,10 |

part list: 1297 095 111
figure: 0097 003 001

16S-1650 / OD*LL*D-L H-H* MAZ
LAY SHAFT

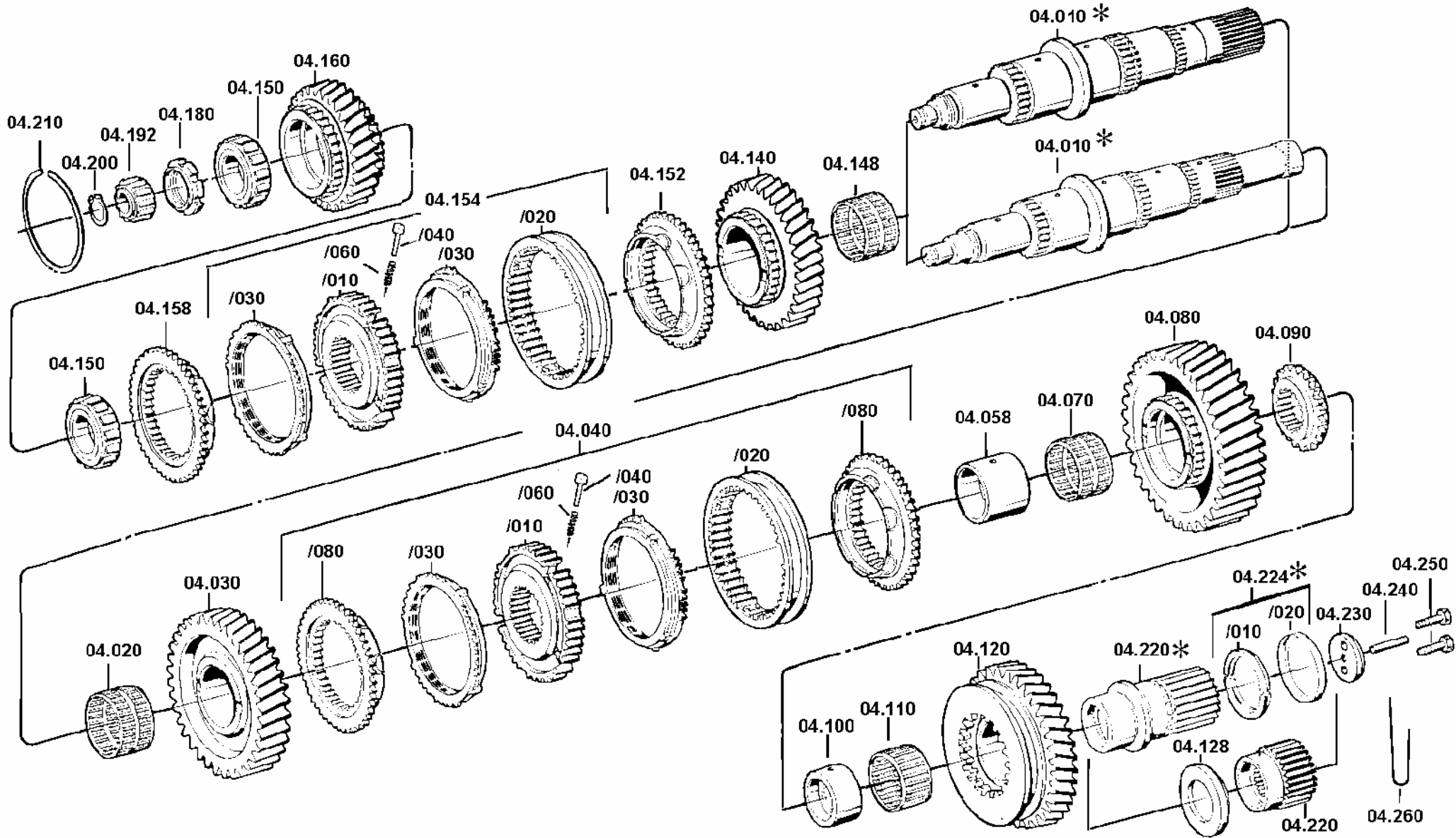
| FIG. | QTY. | PART-NUMBER | DESCRIPTION | OPT. | MOD.NO. | TECHNICAL INFORMATION |
|------|------|--------------|-----------------|------|---------|--|
| | 1 | 0730 102 071 | SHIM | | | A=2,05 |
| | 1 | 0730 102 072 | SHIM | | | A=2,00 |
| | 1 | 0730 102 073 | SHIM | | | A=1,95 |
| | 1 | 0730 102 074 | SHIM | | | A=1,90 |
| | 1 | 0730 102 075 | SHIM | | | A=1,85 |
| 030 | 1 | 0750 117 008 | TA.ROLL.BEARING | | | WTB 50,0X110,0X42,2 |
| 040 | 1 | 0750 117 010 | TA.ROLL.BEARING | | | WTB 50,8X100,0X35,0 |
| 050 | 1 | | RETAINING RING | | | WTB A=2,10- 3,20(ABSTUFUNG:0,05MM) DIN 471 |
| | 1 | 0630 501 151 | RETAINING RING | | | 50X3,2 |
| | 1 | 0630 501 298 | RETAINING RING | | | 50X3,15 |
| | 1 | 0630 501 150 | RETAINING RING | | | 50X3,1 |
| | 1 | 0630 501 299 | RETAINING RING | | | 50X3,05 |
| | 1 | 0630 531 065 | RETAINING RING | | | 50X3 |
| | 1 | 0630 501 111 | RETAINING RING | | | 50X2,95 |
| | 1 | 0630 501 112 | RETAINING RING | | | 50X2,9 |
| | 1 | 0630 501 113 | RETAINING RING | | | 50X2,85 |
| | 1 | 0630 501 114 | RETAINING RING | | | 50X2,8 |
| | 1 | 0630 501 115 | RETAINING RING | | | 50X2,75 |
| | 1 | 0630 501 116 | RETAINING RING | | | 50X2,7 |
| | 1 | 0630 501 117 | RETAINING RING | | | 50X2,65 |
| | 1 | 0630 501 118 | RETAINING RING | | | 50X2,6 |
| | 1 | 0630 501 160 | RETAINING RING | | | 50X2,55 |
| | 1 | 0630 531 064 | RETAINING RING | | | 50X2,5 |
| | 1 | 0630 501 159 | RETAINING RING | | | 50X2,45 |
| | 1 | 0630 501 148 | RETAINING RING | | | 50X2,4 |
| | 1 | 0630 501 294 | RETAINING RING | | | 50X2,35 |
| | 1 | 0630 501 147 | RETAINING RING | | | 50X2,3 |

parts list:
figure:

1297 095 111
0097 004 003

16S 1650 / OD * LL * D-L H-H * MAZ
MAIN SHAFT

*depending on parts list n°.



part list: 1297 095 111
figure: 0097 004 003

16S-1650 / OD*LL*D-L H-H* MAZ
MAIN SHAFT

| FIG. | QTY. | PART-NUMBER | DESCRIPTION | OPT. | MOD.NO. | TECHNICAL INFORMATION |
|------|------|--------------|--------------------|------|---------|-----------------------|
| 010 | 1 | 0091 304 359 | MAIN SHAFT | | 60285 | |
| 020 | 1 | 0735 320 418 | NEEDLE CAGE | | | K82X90X50 |
| 030 | 1 | 0091 304 322 | HELICAL GEAR | | | Z=38 2M |
| 040 | 1 | 1316 204 017 | SYNCHRONIZER | | | |
| /010 | 1 | 1316 304 152 | SYNCHRONIZER BODY | | | ZF-BK160 |
| /020 | 1 | 1316 304 169 | SLIDING SLEEVE | | | ZF-BK 160 |
| /030 | 2 | 1316 304 170 | SYNCHRONIZER RING | | | ZF-BK 160 |
| /040 | 3 | 1297 304 436 | PRESSURE PIECE | | | |
| /060 | 3 | 0732 040 409 | COMPRESSION SPRING | | | ZFN 403 |
| /080 | 2 | 1316 304 154 | CLUTCH BODY | | | ZF-BK160 |
| 058 | 1 | 1297 304 035 | BUSH | | | |
| 070 | 1 | 0735 320 487 | NEEDLE CAGE | | | K82 X 90 X 68 |
| 080 | 1 | 0091 304 297 | HELICAL GEAR | | | Z=47 1M |
| 090 | 1 | 0091 304 207 | CLUTCH BODY | | | |
| 100 | 1 | 0091 304 034 | BUSH | | | |
| 110 | 1 | 0735 320 486 | NEEDLE CAGE | | | K78 X 86 X 44 |
| 120 | 1 | 0091 304 210 | GEAR | | | Z=38 REVERSE |
| 128 | 1 | 0091 304 209 | RING | | | |
| 140 | 1 | 0091 304 317 | HELICAL GEAR | | | Z=35 3M |
| 148 | 1 | 0735 320 452 | NEEDLE CAGE | | | K82 X 90 X 55 |
| 150 | 2 | 0750 118 005 | CY.ROLL.BEARING | | | WTB 63,0X97,5X34,8 |
| 152 | 1 | 0091 304 310 | CLUTCH BODY | | | ZF-BK-150 |
| 154 | 1 | 0091 204 034 | SYNCHRONIZER | | | 3+4M*BK*150* KPL |
| /010 | 1 | 0091 304 361 | SYNCHRONIZER BODY | | 59353 | ZF-BK150 |
| /020 | 1 | 1310 304 225 | SLIDING SLEEVE | | | ZF-BK150 |
| /030 | 2 | 1297 304 484 | SYNCHRONIZER RING | | | ZF-BK150 |

part list: 1297 095 111
figure: 0097 004 003

16S-1650 / OD*LL*D-L H-H* MAZ
MAIN SHAFT

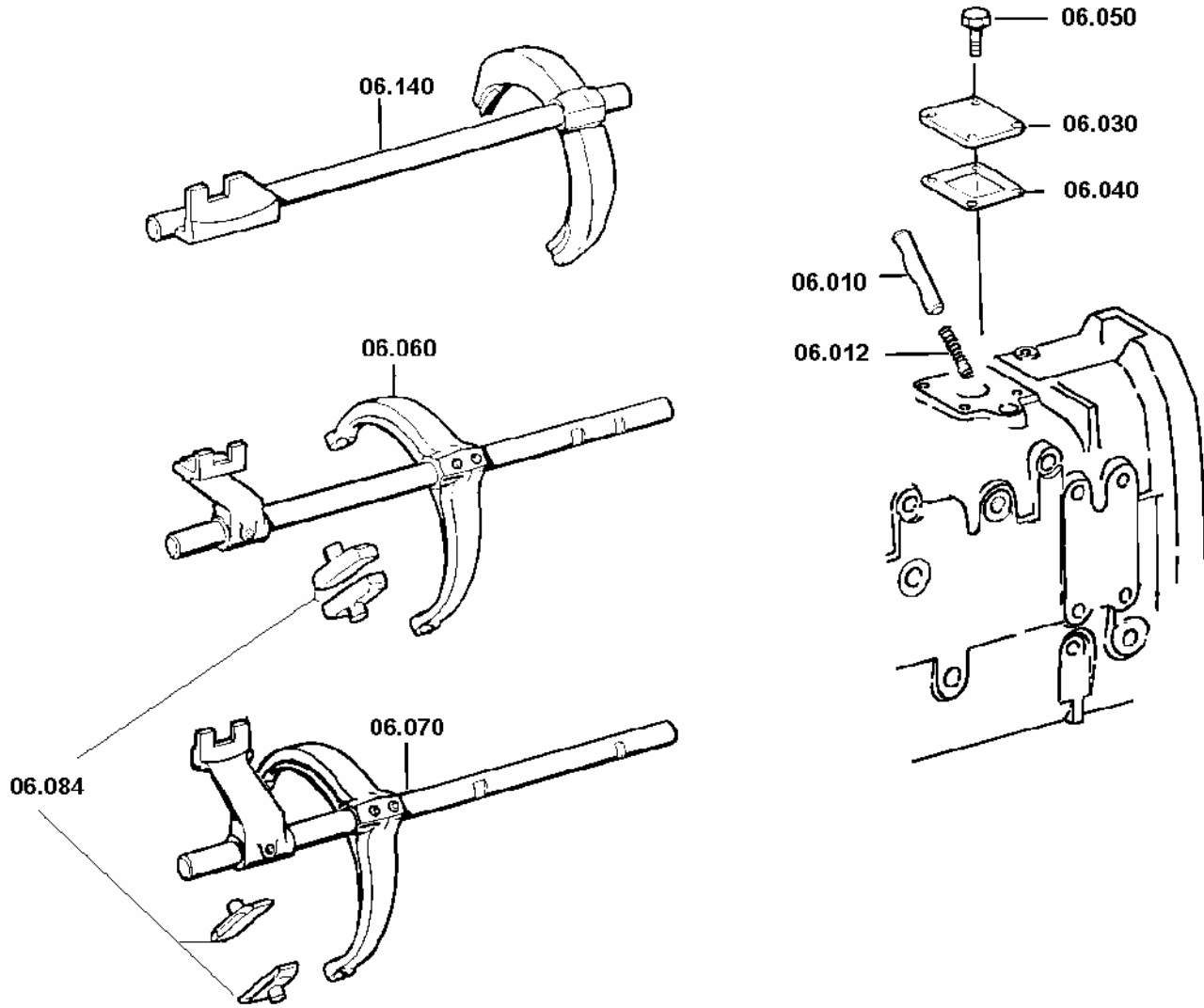
| FIG. | QTY. | PART-NUMBER | DESCRIPTION | OPT. | MOD.NO. | TECHNICAL INFORMATION |
|------|------|--------------|--------------------|------|---------|-----------------------------------|
| /040 | 3 | 1297 304 436 | PRESSURE PIECE | | | |
| /050 | 3 | 0732 040 409 | COMPRESSION SPRING | | | ZFN 403 |
| 158 | 1 | 0091 304 310 | CLUTCH BODY | | | ZF-BK-150 |
| 160 | 1 | 0091 304 314 | HELICAL GEAR | | | 4M Z=30 |
| 180 | 1 | | LOCKING NUT | | | M60X1,5*500N.M |
| | 1 | 0501 398 371 | LOCKING NUT | | | M60 X 1,5 |
| 192 | 1 | 0735 455 040 | CY.ROLL.BEARING | | | 35x68x28 |
| 200 | 1 | 0630 501 028 | RETAINING RING | | | 35X1,5*DIN 471 |
| 210 | 1 | | RING | | | 5,90(ABSTUFUNG:0,20MM) DIN 1652-4 |
| | 1 | 0730 005 473 | RING | | | A=5,00 |
| | 1 | 0730 005 472 | RING | | | A=4,80 |
| | 1 | 0730 005 471 | RING | | | A=4,60 |
| | 1 | 0730 005 470 | RING | | | A=4,40 |
| | 1 | 0730 005 469 | RING | | | A=4,20 |
| | 1 | 0730 005 468 | RING | | | A=4,00 |
| | 1 | 0730 005 467 | RING | | | A=3,80 |
| | 1 | 0730 005 466 | RING | | | A=3,60 |
| | 1 | 0730 005 465 | RING | | | A=3,40 |
| | 1 | 0501 398 358 | RING | | | A=5,30 |
| | 1 | 0501 398 362 | RING | | | A=5,60 |
| | 1 | 0501 398 360 | RING | | | A=5,90 |
| | 1 | 0730 005 464 | RING | | | A=3,20 |
| | 1 | 0730 007 747 | RING | | | A=3,00 |
| 220 | 1 | 0091 304 194 | SUN GEAR | | | Z=27 |

parts list:
figure:

1297 095 111
0097 006 003

16S 1650 / OD * LL * D-L H-H * MAZ
GEARSHIFT RAIL

*depending on parts list n°.



part list: 1297 095 111
figure: 0097 006 003

16S-1650 / OD*LL*D-L H-H* MAZ
GEARSHIFT SYSTEM

| FIG. | QTY. | PART-NUMBER | DESCRIPTION | OPT. | MOD.NO. | TECHNICAL INFORMATION |
|------|------|--------------|-----------------|------|---------|----------------------------|
| 010 | 1 | 1313 306 013 | LOCKING PIN | | | |
| 012 | 1 | 0732 040 736 | COMPR.SPRING | | | |
| 030 | 1 | 7315 003 185 | COVER | | | |
| 040 | 1 | 1313 306 012 | GASKET | | | |
| 050 | 4 | | HEX CAP SCREW | | | M8X16 ISO 4017 / ZFB 9 8.8 |
| | 4 | 0636 015 278 | HEX CAP SCREW | | | M 8X16*DIN 933*8.8 23,0N.M |
| 060 | 1 | 0091 206 073 | GEAR SHIFT RAIL | | | |
| 070 | 1 | 0091 206 076 | GEAR SHIFT RAIL | | | |
| 084 | 4 | 1297 306 120 | SLIDING PAD | | | |
| 140 | 1 | 0091 206 052 | GEAR SHIFT RAIL | | | CPL.RÉ*WR* WII* |
| | | | | | | |

parts list:

1297 095 111

16S 1650 / OD * LL * D-L H-H * MAZ

figure:

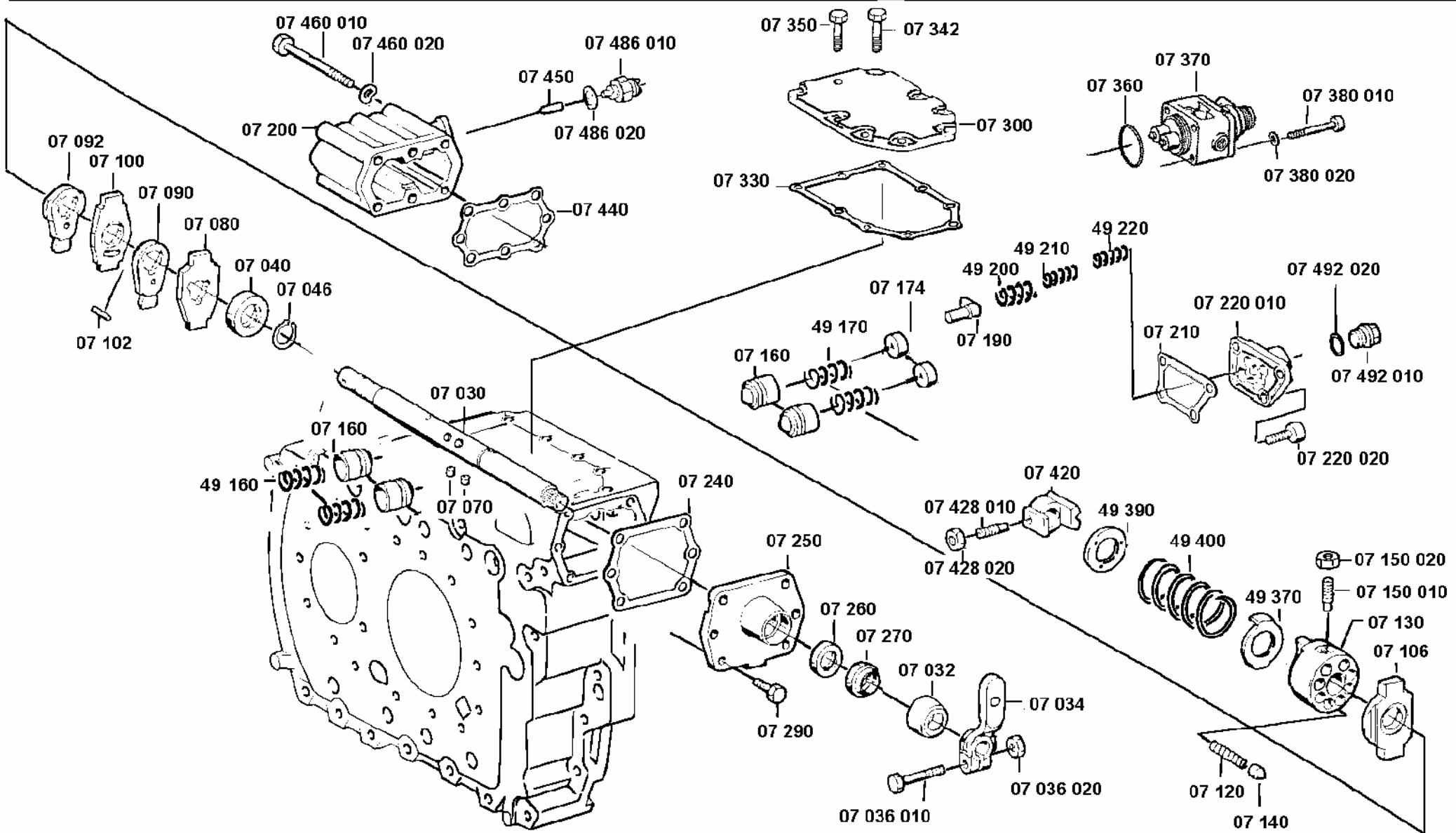
0097 007 003

GEAR SHIFT SYSTEM

0097 049 003

SET OF SPRINGS

*depending on parts list n°.



part list: 1297 095 111
figure: 0097 007 003

16S-1650 / OD*LL*D-L H-H* MAZ
GEARSHIFT SHAFT

| FIG. | QTY. | PART-NUMBER | DESCRIPTION | OPT. | MOD.NO. | TECHNICAL INFORMATION |
|------|------|--------------|------------------|------|---------|--------------------------------|
| 030 | 1 | 0091 307 304 | G.SHIFT SHAFT | | | |
| 032 | 1 | 1238 307 411 | PROTECTING CAP | | | |
| 034 | 1 | 1307 307 006 | GEAR SHIFT LEVER | | 60101 | |
| 036 | 1 | | HEXAGON SCREW | | | M10X40*DIN 933/ZFB988*10.9 A3C |
| /010 | 1 | 0636 015 469 | HEXAGON SCREW | | | M10X40*DIN 933/ZFB988*10.9 A3C |
| /030 | 1 | 0637 006 120 | HEXAGON NUT | | | M10 DIN 934 A3C |
| 040 | 1 | | WASHER | | | |
| | 1 | 1295 307 379 | WASHER | X | | |
| | 1 | 1295 307 250 | WASHER | X | | |
| 046 | 1 | 0630 532 205 | V RING | | | |
| 070 | 6 | 0735 470 007 | ROLLER | | | |
| 080 | 1 | | LOCK | | | |
| /010 | 1 | 1295 307 585 | LOCK | X | | |
| /020 | 1 | 1295 307 156 | LOCK | X | | |
| 090 | 1 | 1295 307 178 | DRIVER | | | |
| 092 | 1 | 1295 307 175 | DRIVER | | | |
| 100 | 1 | 1295 307 176 | SKID PIECE | | | |
| 102 | 1 | 0091 380 071 | CYLINDRICAL PIN | | | |
| 106 | 1 | 0091 307 197 | SKID PIECE | | | |
| 120 | 8 | 0732 040 736 | COMPR.SPRING | | | |
| 130 | 1 | 1295 307 409 | STOP PART | | | |
| 140 | 8 | 1295 307 243 | STOP BOLT | | | |
| 150 | 1 | | THREADED BOLT | | | M12X1,5 |
| /010 | 1 | 0501 398 399 | THREADED BOLT | | | M12X1,5 45,0N.M |
| /020 | 1 | 0637 002 039 | HEXAGON NUT | | | BM12X1,5 70,0N.M |
| 160 | 4 | 0750 115 335 | BALL ROLLER | | | WTB 20X8,1 |

part list: 1297 095 111
figure: 0097 007 003

16S-1650 / OD*LL*D-L H-H* MAZ
GEARSHIFT SHAFT

| FIG. | QTY. | PART-NUMBER | DESCRIPTION | OPT. | MOD.NO. | TECHNICAL INFORMATION |
|------|------|--------------|-------------------|------|---------|----------------------------|
| 174 | 2 | 0730 062 448 | BUSH | | | A=11,00 |
| 190 | 1 | 0091 307 160 | BOLT | | | |
| 200 | 1 | 0091 307 153 | COVER | | | |
| 210 | 1 | 1313 307 002 | GASKET | | | |
| 220 | 1 | | COVER | | | |
| /010 | 1 | 0091 307 149 | COVER | | | |
| | 4 | | HEXAGON SCREW | | | |
| /020 | 4 | 0636 015 084 | HEXAGON SCREW | | | |
| 240 | 1 | 1313 307 020 | GASKET | | | |
| 250 | 1 | 1295 307 434 | COVER | | | |
| 260 | 1 | 0634 300 302 | SHAFT SEAL | | | 25X35X7B |
| 270 | 1 | 0634 307 367 | SHAFT SEAL | | | AS25X35X10 |
| 290 | 6 | | HEXAGON SCREW | | | M8X22 ISO 4017 8.8 |
| | 6 | 0636 015 084 | HEXAGON SCREW | | | M8X22 ISO 4017 8.8 23,0N.M |
| 300 | 1 | 0091 307 500 | COVER | | | |
| 330 | 1 | 1313 307 003 | GASKET | | | |
| 342 | 8 | | HEXAGON SCREW | | | M8X18 ISO 4017 8.8 |
| /010 | 8 | 0636 015 073 | HEXAGON SCREW | | | M8X18 ISO 4017 8.8 23,0N.M |
| 350 | 1 | | HEXAGON SCREW | | | M8X22 ISO 4017 8.8 |
| /010 | 1 | 0636 015 084 | HEXAGON SCREW | | | M8X22 ISO 4017 8.8 23,0N.M |
| 360 | 1 | 0634 314 021 | RING | | | 36,2X3 ZFN744 ACM-70-10 |
| 370 | 1 | 6038 202 003 | CUT-OFF VALVE | | | |
| 380 | 4 | | CYLINDRICAL SCREW | | | M8X60 ISO 4762 8.8 A3C |
| /010 | 4 | 0636 101 664 | CYLINDRICAL SCREW | | | M8X60 ISO 4762 8.8 A3C |
| /020 | 4 | 0630 302 090 | WASHER | | | B8 DIN 137 |
| 420 | 1 | 0091 307 219 | STOP PART | | | |

part list: 1297 095 111
figure: 0097 007 003

16S-1650 / OD*LL*D-L H-H* MAZ
GEARSHIFT SHAFT

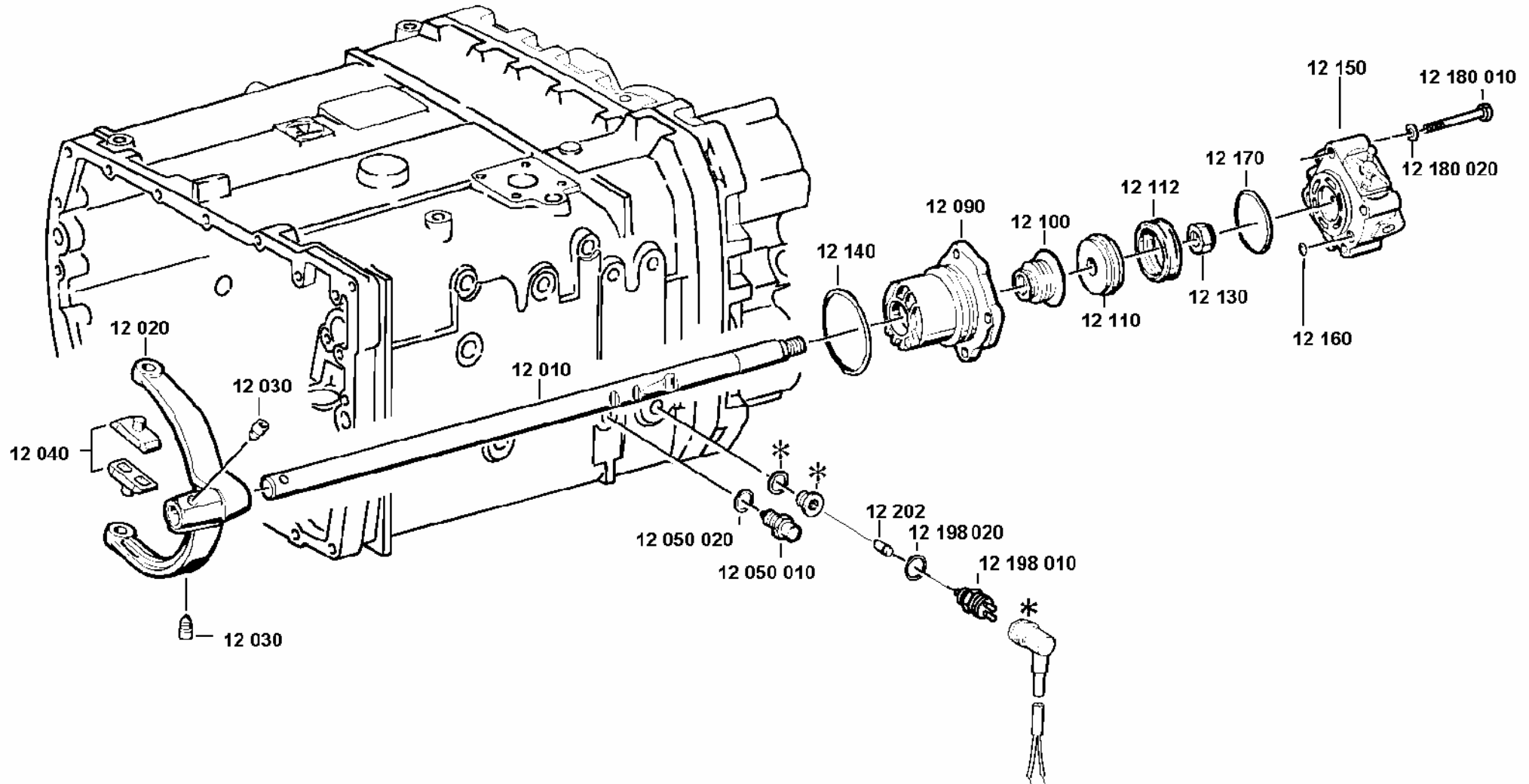
| FIG. | QTY. | PART-NUMBER | DESCRIPTION | OPT. | MOD.NO. | TECHNICAL INFORMATION |
|------|------|--------------|---------------|------|---------|-----------------------------|
| 428 | | | THREADED | | | M12X1,5 |
| /010 | 1 | 0501 398 398 | THREADED | | | M12X1 ,5 45,0N.M |
| /020 | 1 | 0637 002 039 | HEXAGON NUT | | | BM12X1,5 DIN 439/ZFB999 |
| 440 | 1 | 1313 307 004 | GASKET | | | |
| 450 | 1 | 0731 208 056 | PIN | | | |
| 460 | | | HEXAGON SCREW | | | M8X105 ISO 4014 8.8 |
| /010 | 6 | 0636 010 121 | HEXAGON SCREW | | | M8X105 ISO 4014 8.8 23,0N.M |
| /020 | 6 | 0630 302 090 | SPRING WASHER | | | B8 DIN 137 FST FE/ZN8C |
| 486 | | | SWITCH | | | |
| /010 | 1 | 0501 210 059 | SWITCH | | | |
| /020 | 1 | 0634 801 062 | SEALING RING | | | A18X24 DIN 7603 |
| 492 | | | SCREW PLUG | | | M18X1,5 |
| /010 | 1 | 0636 302 021 | SCREW PLUG | | | M18X1,5 DIN 908 ST A3C |
| /020 | 1 | 0634 801 062 | SEALING RING | | | A18X24 DIN 7603 AL |
| | | | | | | |

parts list:
figure:

1297 095 111
0097 012 004

16S 1650 / OD * LL * D-L H-H * MAZ
GV SHIFT SYSTEM

*depending on parts list n°.



part list: 1297 095 111
figure: 0097 012 004

16S-1650 / OD*LL*D-L H-H* MAZ
GV-SHIFT SYSTEM

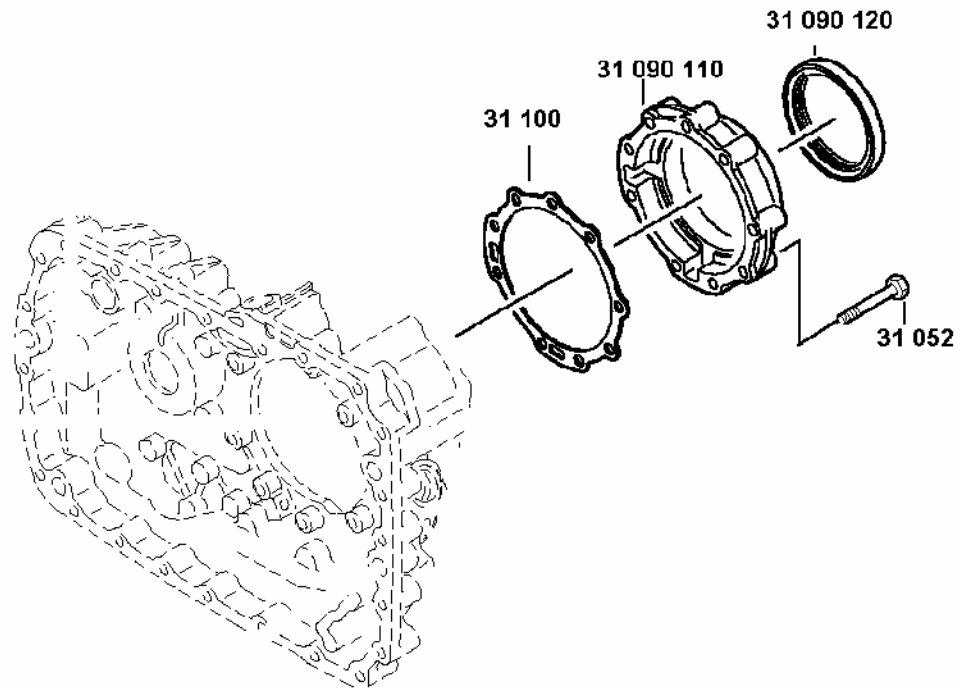
| FIG. | QTY. | PART-NUMBER | DESCRIPTION | OPT. | MOD.NO. | TECHNICAL INFORMATION |
|------|------|--------------|-----------------|------|---------|--------------------------------------|
| 010 | 1 | 0091 312 013 | GEAR SHIFT RAIL | | | |
| 020 | 1 | 1313 312 002 | GEAR SHIFT FORK | | | |
| 030 | 2 | 1315 312 047 | SCREW | | | M12X1 DIN EM 10083-1 70 N.M* |
| 040 | 2 | 1297 306 120 | SLIDING PAD | | | |
| 050 | 1 | | DETENT PLUNGER | | | 235N*65N.M |
| /010 | 1 | 1313 207 003 | DETENT PLUNGER | | | |
| /020 | 1 | 0634 801 050 | SEALING RING | | | A 16 X 22 DIN 7603 CU |
| 090 | 1 | | CYLINDER | | | WTB*GV |
| | 1 | 1296 312 042 | CYLINDER | X | | |
| | 1 | 1296 312 016 | CYLINDER | X | | |
| 100 | 1 | 0750 112 034 | FLANGE PACKING | | | WTB 25X38X14,2 |
| 110 | 1 | | PISTON | | | |
| | 1 | 0091 312 016 | PISTON | | 59109 | |
| 112 | 1 | 0750 112 089 | DOUB.U-PACKING | | | WTB 53X63X16,2 |
| 130 | 1 | 0637 011 574 | LOCKING NUT | | | V M 16X1,5 DIN 980 STOVER*10 FE/ZN8C |
| 140 | 1 | 0634 313 671 | O-RING | | | 80 X 3 ZFN 744 ACM-80-10 |
| 150 | 1 | 0501 396 632 | WAY VAL | | | |
| 160 | 1 | 0634 314 017 | O-RING | | | 5,28X 1,78 ZFN 744 ACM -70-10 |
| 170 | 1 | 0634 314 018 | O-RING | | | 59 X 2 ZFN 744 ACM -70-10 |
| 180 | 4 | | HEXAGON SCREW | | | WTB*M8X60DIN931/8.8FE/ZN8C |
| | 4 | | HEX CAP SCREW | | | M8X60*DIN931*8.8 *23,0N.M* |
| /010 | 4 | 0636 010 096 | HEX CAP SCREW | | | M8X60*DIN 931*8.8 |
| /020 | 4 | 0630 302 090 | SPRING WASHER | | | B 8 DIN 137 FST FE/ZN8C |
| | | | | | | |

parts list:
figure:

1297 095 111
0097 031 003

16S 1650 / OD * LL * D-L H-H * MAZ
COVER-GP

*depending on parts list n^o



part list: 1297 095 111
figure: 0097 031 004
0097 031 003

16S-1650 / OD*LL*D-L H-H* MAZ
GP HOUSING
GP COVER

| FIG. | QTY. | PART-NUMBER | DESCRIPTION | OPT. | MOD.NO. | TECHNICAL INFORMATION |
|------|------|--------------|-----------------|------|---------|------------------------|
| 010 | 1 | 0091 301 162 | HOUSING | | | |
| 020 | 1 | | SCREW PLUG | | | M24X1,5*50N.M* |
| | 1 | 0736 303 005 | SCREW PLUG | | | M24X1,5 |
| 030 | 1 | 1313 301 037 | GASKET | | | |
| 050 | 17 | | HEX CAP SCREW | | | M10X50*DIN931*8.8* |
| | 17 | 0636 010 168 | HEX CAP SCREW | | | M10X50*DIN931*8.8* |
| 052 | 9 | | HEX CAP SCREW | | | M10X50*DIN 931*8.8* |
| | 9 | 0636 010 168 | HEX CAP SCREW | | | M10X50*DIN931*8.8* |
| 054 | 2 | | HEX CAP SCREW | | | M10X50*DIN931*8.8* |
| | 2 | 0636 010 168 | HEX CAP SCREW | | | M10X50*DIN931*8.8* |
| 058 | 1 | 0091 301 115 | SUPPORT PLATE | | | |
| 060 | 2 | | HEX CAP SCREW | | | M 10X90*DIN931*8.8* |
| | 2 | 0636 010 190 | HEX CAP SCREW | | | M 10X90*DIN 931*8.8 |
| 064 | 1 | 0636 010 494 | HEX CAP SCREW | | | M 10X50 SK*DIN 931*8.8 |
| 068 | 2 | 0636 010 172 | HEX CAP SCREW | | | M10X55*DIN931*8.8* |
| 070 | 2 | 0731 201 459 | CYLINDRICAL PIN | | | |
| 080 | 1 | 0750 116 002 | BALL BEARING | | | WTB 90,0X160,0X30,0 |
| 082 | 1 | | SHIM | | | 0,60(ABSTUFUNG:0,10MM) |
| | 1 | 0730 003 515 | SHIM | X | | A=0,60 |
| | 1 | 4005 302 034 | SHIM | X | | A=0,50 |
| | 1 | 0730 100 115 | SHIM | X | | A=0,30 |
| | 1 | 0730 100 846 | SHIM | X | | A=0,40 |
| | 1 | 0730 100 116 | SHIM | X | | A=0,20 |
| 090 | 1 | | COVER | | | |
| /110 | 1 | 1296 301 006 | COVER | | | |
| /120 | 1 | 0750 111 341 | SHAFT SEAL | | | WTB 105X130X12 2EE |

part list: 1297 095 111
figure: 0097 031 004
0097 031 003

16S-1650 / OD*LL*D-L H-H* MAZ
GP HOUSING
GP COVER

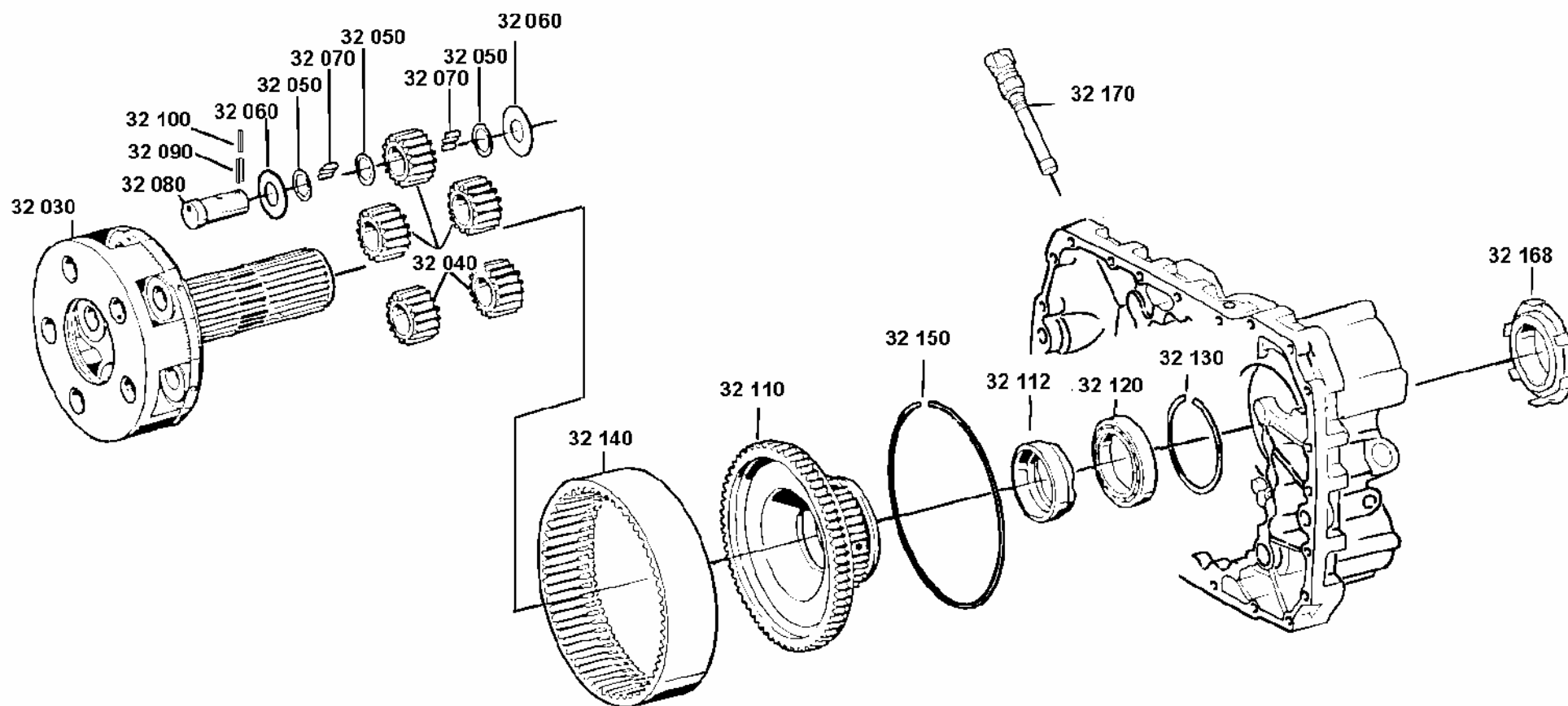
| FIG. | QTY. | PART-NUMBER | DESCRIPTION | OPT. | MOD.NO. | TECHNICAL INFORMATION |
|------|------|--------------|-------------------|------|---------|----------------------------|
| 100 | 1 | 1313 301 036 | GASKET | | | |
| 110 | 1 | | SCREW PLUG | | | |
| /010 | 1 | 0636 302 066 | SCREW PLUG | | | M30X1,5 DIN 908 100,0N.M |
| /020 | 1 | 0634 801 324 | SEALING RING | | | A30X36 DIN 7603 ST FE/ZN8C |
| 130 | 1 | 1296 301 008 | SPRAY TUBE | | | |
| 140 | | | SCREW PLUG + RING | | | M10X1 |
| /010 | 1 | 0636 302 053 | SCREW PLUG | | | M10X1 DIN 908 ST |
| /020 | 1 | 0634 801 013 | SEALING RING | | | A 10X14 DIN 7603 AL |
| 160 | 1 | 1238 308 165 | COVER | | | DIN EM 10130 DC01-A |
| 170 | 1 | 1238 308 201 | GASKET | | | |
| 180 | 4 | | HEX CAP SCREW | | | M12X20*DIN 933*8.8 |
| /010 | 4 | 0636 016 005 | HEX CAP SCREW | | | M12X20*DIN 933*8.8 60,0N.M |
| /020 | 4 | 0630 302 021 | SPRING WASHER | | | B12*DIN 137*FST* |
| | | | | | | |

parts list:
figure:

1297 095 111
0097 032 003

16S 1650 / OD * LL * D-L H-H * MAZ
PLANETARY DRIVE

*depending on parts list n°

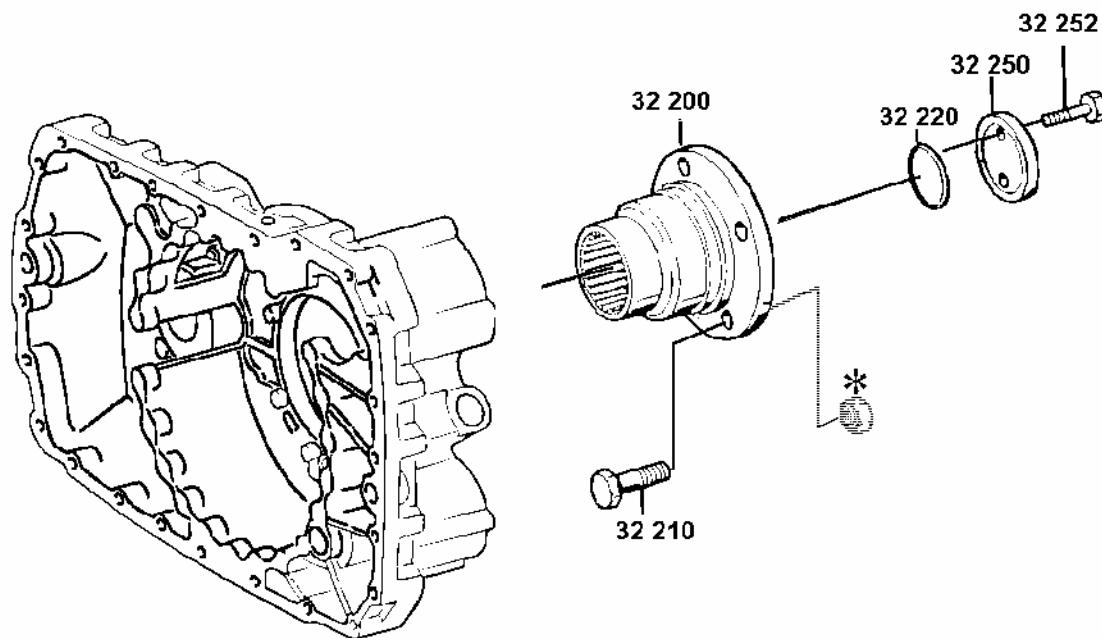


parts list:
figure:

1297 095 111
0097 032 004

16S 1650 / OD * LL * D-L H-H * MAZ
OUTPUT FLANGE

*depending on parts list n°



part list: 1297 095 111
figure: 0097 032 003
0097 032 004

16S-1650 / OD*LL*D-L H-H* MAZ
PLANETARY DRIVE
OUTPUT FLANGE

| FIG. | QTY. | PART-NUMBER | DESCRIPTION | OPT. | MOD.NO. | TECHNICAL INFORMATION |
|------|------|--------------|-------------------|------|---------|------------------------|
| 030 | 1 | 0091 232 022 | PLANET CARRIER | | | CPL. |
| 040 | 1 | 1297 232 023 | GEAR SET | | | CPL. |
| 050 | 15 | 0730 103 846 | INTERM.WASHER | | | A=1,00 |
| 060 | 10 | 0501 306 212 | SHIM | | | |
| 070 | 120 | 0750 119 109 | ROLLER | | | WTB 10,0X16,8 |
| 080 | 5 | 1297 332 109 | PLANET SHAFT | | | |
| 090 | 5 | 0631 329 050 | SLOT.PIN | | | 5 X 24 ISO 8752 ST |
| 100 | 5 | 0631 329 017 | SLOT.PIN | | | 3 X 24 ISO 8752 ST |
| 110 | 1 | 0091 332 022 | DIFFERENTIAL GEAR | | | |
| 112 | 1 | | INTERMEDIATE RING | | | WTB |
| | 1 | 1297 332 122 | INTERMEDIATE RING | X | | |
| | 1 | 1297 332 002 | INTERMEDIATE RING | X | | |
| 120 | 1 | 0750 116 165 | BALL BEARING | | | WTB 80,0X110,0X16,0 |
| 130 | 1 | | SNAP RING | | | 2,50(ABSTUFUNG:0,10MM) |
| | 1 | 0730 513 755 | SNAP RING | | | A=2,50* |
| | 1 | 0730 513 756 | SNAP RING | | | A=2,40* |
| | 1 | 0730 513 757 | SNAP RING | | | A=2,30* |
| | 1 | 0730 513 758 | SNAP RING | | | A=2,20* |
| | 1 | 0730 513 759 | SNAP RING | | | A=2,10* |
| | 1 | 0730 513 760 | SNAP RING | | | A=2,00* |
| 140 | 1 | 1297 332 080 | RING GEAR | | | |
| 150 | 1 | 0730 505 055 | LOCKING WIRE | | | A=3,20 |

part list: 1297 095 111
figure: 0097 032 003
0097 032 004

16S-1650 / OD*LL*D-L H-H* MAZ
PLANETARY DRIVE
OUTPUT FLANGE

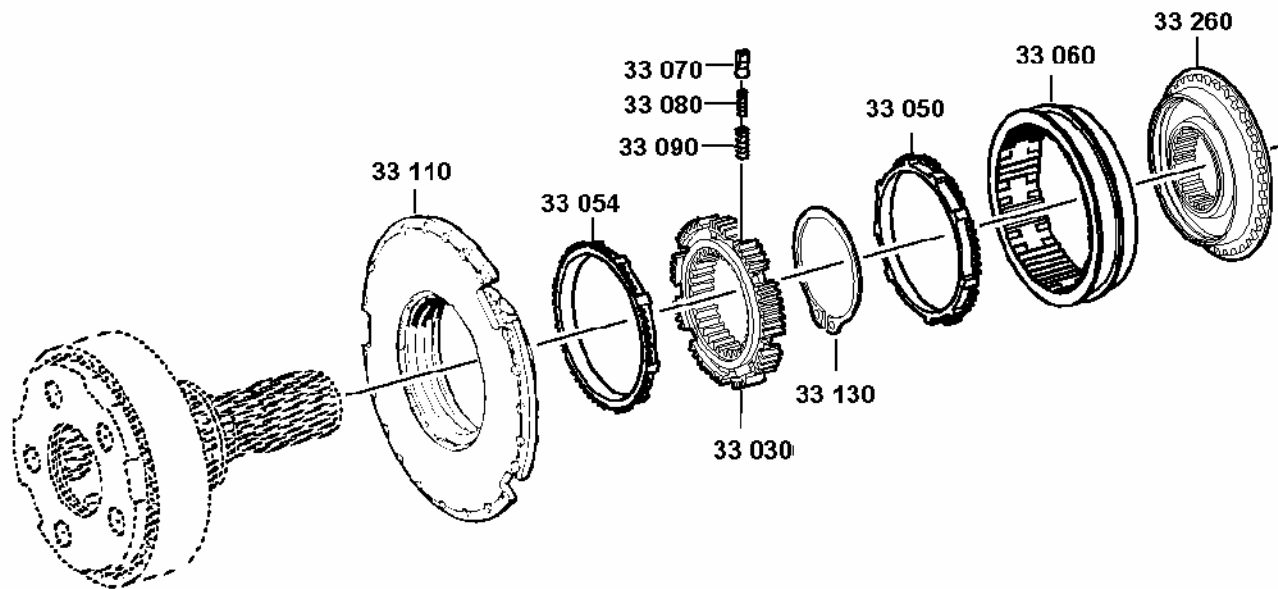
| FIG. | QTY. | PART-NUMBER | DESCRIPTION | OPT | MOD.NO. | TECHNICAL INFORMATION |
|------|------|--------------|---------------|-----|---------|-------------------------------------|
| 168 | 1 | | PULSE WASHER | | | |
| /010 | 1 | 0091 338 045 | PULSE WASHER | X | | |
| /020 | 1 | 0091 338 042 | PULSE WASHER | X | | |
| 170 | 1 | 0501 210 859 | PULSE SENSOR | | | N°VDO 2159.20.10.00 |
| 200 | 1 | 1297 338 041 | OUTPUT FLANGE | | | |
| 210 | 4 | | HEXAGON SCREW | | | M14X1,5X50 DIN 960/ZFB 988 10.9 A3C |
| | 4 | 0636 020 211 | HEXAGON SCREW | | | M14X1,5X50 DIN 960/ZFB 988 10.9 A3C |
| 220 | 1 | 0634 314 015 | O-RING | | | 68 X 4 ZFN 744 ACM -70-10 |
| 250 | 1 | 1295 332 051 | FIXING WASHER | | | |
| 252 | 2 | 0636 011 540 | HEX CAP SCREW | | | M 12 x 60*DIN 931*10.9 A3C |
| | | | | | | |

parts list:
figure:

1297 095 111
0097 033 002

16S 1650 / OD * LL * D-L H-H * MAZ
SYNCHRONIZER

*depending on parts list n°.



part list: 1297 095 111
figure: 0097 033 002

16S-1650 / OD*LL*D-L H-H* MAZ
SYNCHRONIZER

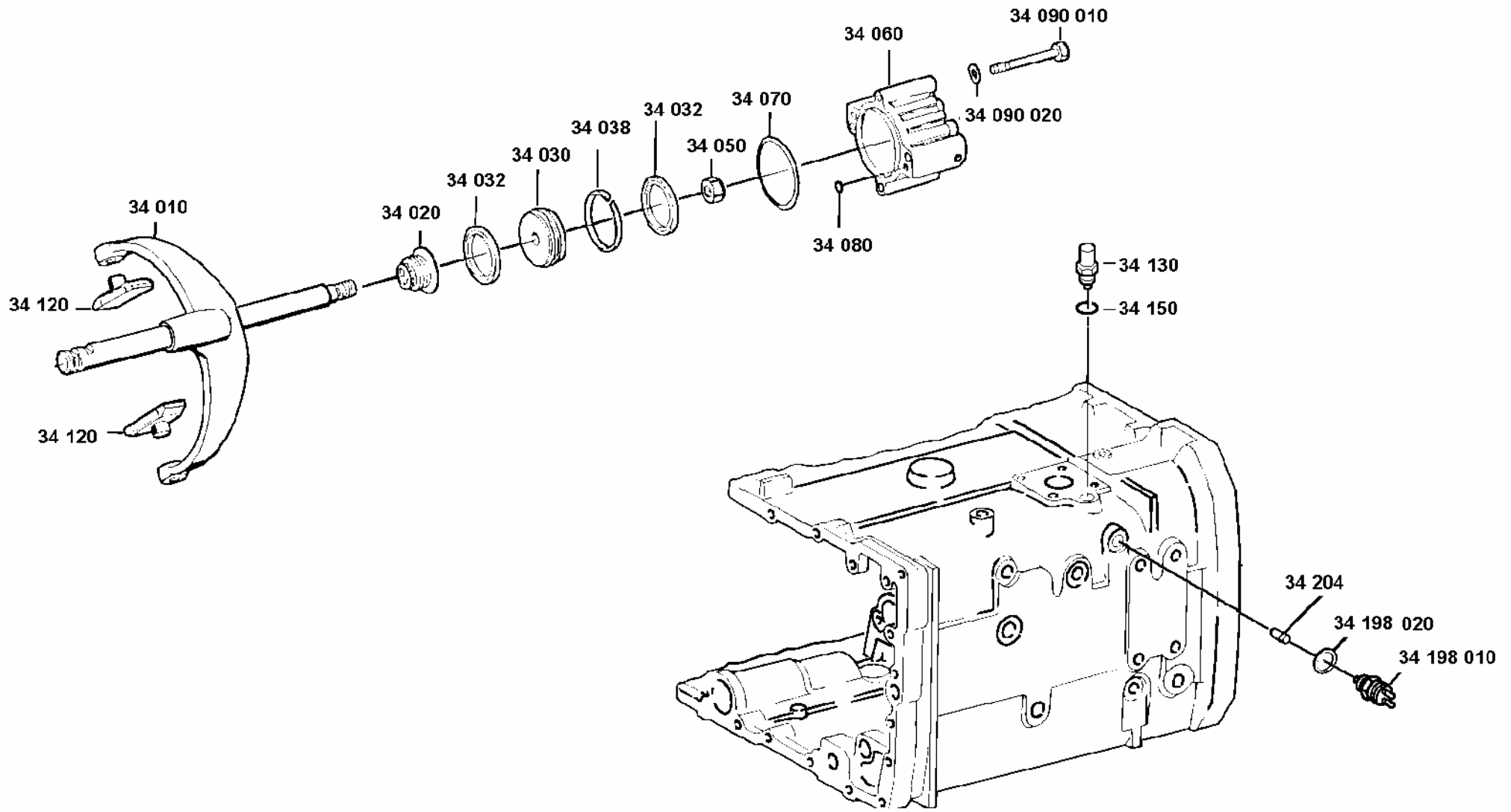
| FIG. | QTY. | PART-NUMBER | DESCRIPTION | OPT. | MOD.NO. | TECHNICAL INFORMATION |
|------|------|--------------|----------------|------|---------|--------------------------|
| 030 | 1 | 1296 333 002 | SYNCHRO.BODY | | | |
| 050 | 1 | | SYNCHRO.RING | | | WTB*SINT/SCHMIEDE*MOLYB. |
| /010 | 1 | 1296 333 044 | SYNCHRO.RING | X | | |
| /020 | 1 | 1296 333 045 | SYNCHRO.RING | X | | |
| 054 | 1 | | SYNCHRO.RING | | | WTB*SINT/SCHMIEDE*MOLYB. |
| /010 | 1 | 1296 333 044 | SYNCHRO.RING | X | | |
| /020 | 1 | 1296 333 045 | SYNCHRO.RING | X | | |
| 060 | 1 | 1296 333 023 | SLIDING SLEEVE | | | |
| 070 | 9 | 1240 304 278 | PRESSURE PIECE | | | ZF_B119-167 |
| 080 | 9 | 0732 040 385 | COMPR.SPRING | | | |
| 090 | 9 | 0732 040 386 | COMPR.SPRING | | | |
| 110 | 1 | 1296 233 006 | CLUTCH BODY | | | CLP.LANGSAME GRUPPE |
| 130 | 1 | | RETAINING RING | | | DIN 471 |
| | 1 | 0630 501 061 | RETAINING RING | | | 125X4 |
| | 1 | 0630 501 173 | RETAINING RING | | | 125X3,9 |
| | 1 | 0630 501 174 | RETAINING RING | | | 125X3,8 |
| | 1 | 0630 501 175 | RETAINING RING | | | 125X3,7 |
| 260 | 1 | 1313 233 001 | CLUTCH BODY | | | |
| | | | | | | |

parts list:
figure:

1297 095 111
0097 034 004

16S 1650 / OD * LL * D-L H-H * MAZ
GP SHIFT SYSTEM

*depending on parts list n°.



part list: 1297 095 111
 figure: 0097 034 004

16S-1650 / OD*LL*D-L H-H* MAZ
 GP SHIFT SYSTEM

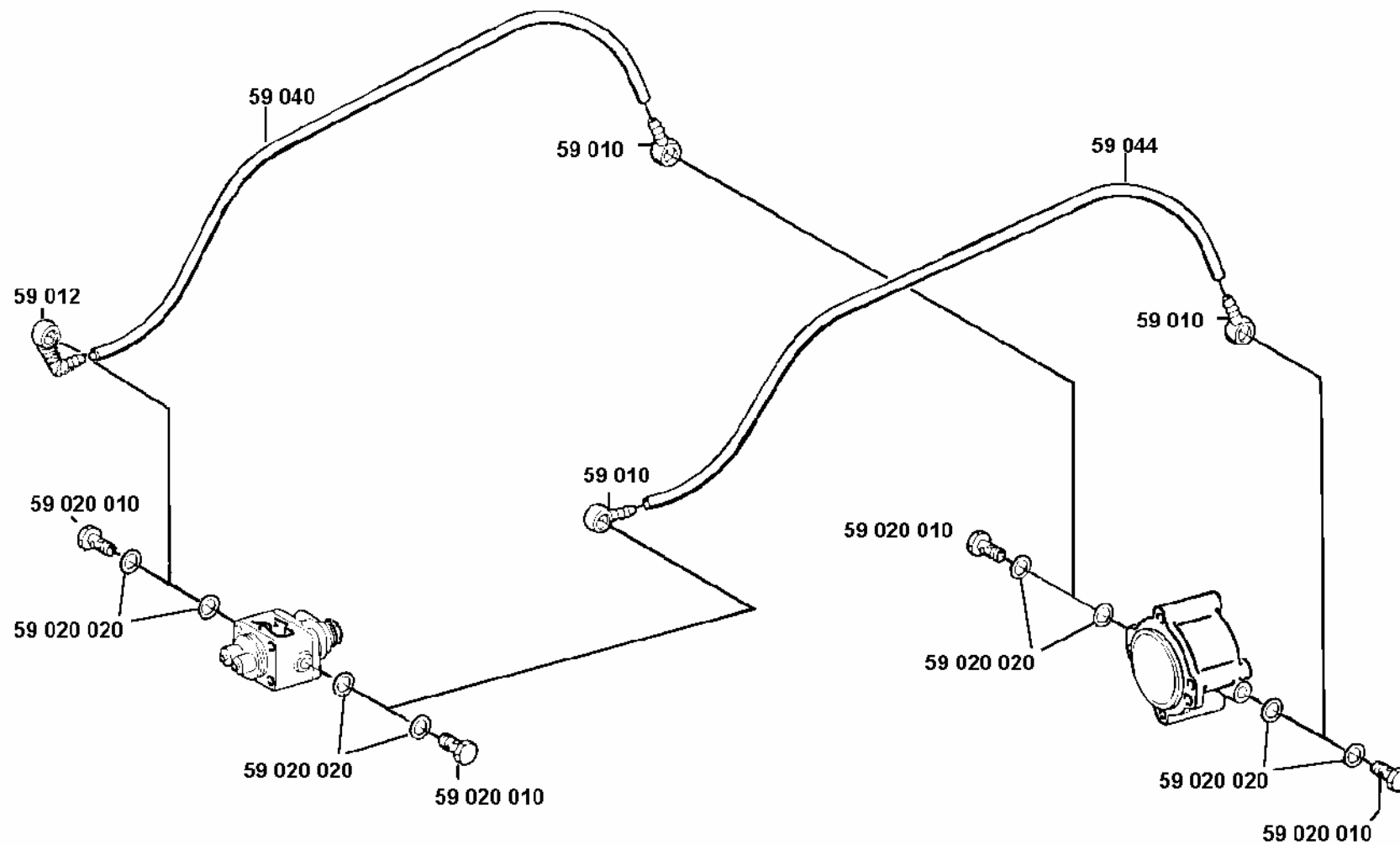
| FIG. | QTY. | PART-NUMBER | DESCRIPTION | OPT. | MOD.NO. | TECHNICAL INFORMATION |
|------|------|--------------|-----------------|------|---------|----------------------------|
| 010 | 1 | 0091 234 006 | GEAR SHIFT RAIL | | | CPL |
| 020 | 1 | 0750 112 034 | FLANGE PACKING | | | WTB 25X38X14,2 |
| 030 | 1 | 1296 334 039 | PISTON | | | |
| 032 | 2 | 0734 317 150 | U-RING | | | 80X90X4,8 FA.KACO |
| 038 | 1 | 0750 112 066 | GUIDE RING | | | WTB |
| 050 | 1 | | LOCKING NUT | | | M16X1,5 STOVER*10 FE/ZN8C |
| | 1 | 0637 011 574 | LOCKING NUT | | | M 16X1,5 STOVER*10 FE/ZN8C |
| 060 | 1 | 1295 334 075 | CYLINDER | | | |
| 070 | 1 | 0634 314 019 | O-RING | | | 94 X 3 ZFN 744 ACM -70-10 |
| 080 | 1 | 0634 314 020 | O-RING | | | 8 X 2 ZFN 744 ACM -70-10 |
| 090 | 4 | | HEX CAP SCREW | | | M10x80*ISO4014*8.8*A3C |
| /010 | 4 | 0636 010 550 | HEX CAP SCREW | | | M10x80*ISO4014*8.8*A3C |
| /020 | 4 | 0630 302 091 | SPRING WASHER | | | B 10 DIN 137 FST FE/ZN8C |
| 120 | 2 | 1296 334 004 | SLIDING PAD | | | |
| 130 | 1 | 1313 207 004 | DETENT PLUNGER | | | 105N*65N.M |
| 150 | 1 | 0634 801 050 | SEALING RING | | | A 16 X 22 DIN 7603 CU |
| 198 | 1 | | SWITCH | | | |
| /010 | 1 | 0501 210 058 | SWITCH | | | |
| /020 | 1 | 0634 801 062 | SEALING RING | | | A18X24 DIN 7603 AL |
| 204 | 1 | 1295 212 006 | PIN | | | |

parts list:
figure:

1297 095 111
0097 059 001

16S 1650 / OD * LL * D-L H-H * MAZ
RANGE SELECTION

*depending on parts list n°.



part list: 1297 095 111
 figure: 0097 059 001

16S-1650 / OD*LL*D-L H-H* MAZ
 RANGE SELECTION

| FIG. | QTY. | PART-NUMBER | DESCRIPTION | OPT. | MOD.NO. | TECHNICAL INFORMATION |
|------|------|--------------|--------------|------|---------|--|
| 010 | 3 | 0750 146 953 | RING NIPPLE | | | WTB. |
| 012 | 1 | 0501 396 701 | RING NIPPLE | | | FA. SPARTA |
| 020 | 4 | | UNION SCREW | | | 10 DIN7643 |
| /010 | 4 | 0637 835 515 | UNION SCREW | | | 10 DIN 7643 |
| /020 | 8 | 0634 801 260 | SEALING RING | | | A 14 X 18 DIN 7603 AL |
| 040 | 1 | 0632 702 528 | TECALAN TUBE | | | 12X2*DIN73378*PA11W SW LT ME (850 mm) |
| 044 | 1 | 0632 702 528 | TECALAN TUBE | | | 12X2*DIN73378*PA11W SW LT ME (570 mm) |
| | | | | | | |