



Spare Parts Catalog

16 S 2220 TO

Material number: 1367.002.030

ZF Friedrichshafen AG

Hauptverwaltung

80038 Friedrichshafen

Deutschland

Telefon: +49 7541 77-0

Telefax: +49 7541 77-908000

www.zf.com

zuständiges Werk:

Friedrichshafen



Pos.	Information	Amendment number
001	Use case -----	
002	Customer IVECO MAGIRUS AG	
003	City Ulm	
004	DUNS 31-561-9072	
005	Vehicle / Apparatus -----	
006	Sales Name STRALIS AS/S.AD/AT	
007	Manufacturer IVECO MAGIRUS AG	
008	Engineering Name	
009	Product Use TRUCK	
010	Vehicle/Hardware Type ROAD TRACTOR	
011	SOP	
012	Engine	
013	Sales Designation	
014	Manufacturer IVECO FIAT SPA	
015	Eng.Displ.	
016	Cylinder	
017	Nom. power 331 kW	
018	RPM at nom. power 2100 1/min	
019	Nom. torque 2100 Nm	
020	RPM at nom. torque 1050 1/min	
021	Classification use case -----	
026	DYNAMIC TYRE RADIUS 447 mm	
027	REAR AXLE RATIO 2.93	
031	PERMISS.GROSS VEHICLE WEIGHT 26 t	
032	PERMISS.GROSS COMBIN.WEIGHT 60 t	
033	Use case -----	
034	Customer IVECO MAGIRUS AG	
035	City Ulm	
036	DUNS 31-561-9072	
037	Vehicle / Apparatus -----	
038	Sales Name TRAKKER	
039	Manufacturer IVECO MAGIRUS AG	



Pos.	Information	Amendment number
040	Engineering Name	
041	Product Use TRUCK	
042	Vehicle/Hardware Type ROAD TRACTOR	
043	SOP	
044	Engine	
045	Sales Designation	
046	Manufacturer IVECO FIAT SPA	
047	Eng.Displ.	
048	Cylinder	
049	Nom. power 331 kW	
050	RPM at nom. power 1900 1/min	
051	Nom. torque 2200 Nm	
052	RPM at nom. torque 1000 1/min	
053	Classification use case -----	
058	DYNAMIC TYRE RADIUS 490 mm	
059	REAR AXLE RATIO 3.79	
063	PERMISS.GROSS VEHICLE WEIGHT 38 t	
065	Product description -----	
066	INSTALLATION POS TRANSMISSION HORIZONTAL LEFT	
067	TRANSMISSION ATTACHMENT FLANGE-MOUNTED	
073	NUMBER OF GEARS 16	
074	RATIO, BOTTOM GEAR 13.8	
075	RATIO, TOP GEAR .84	
076	SET OF RATIOS SG	
077	NOTE ON TYPE OF GEAR SHIFT SYS TURNING SHAFT	
078	POSITION, GEAR SHIFT SYSTEM HORIZONTAL LEFT	
079	DESIGN, SHIFT PATTERN H-H	
080	VERSION SHIFT SUPPORT SERVO	
081	VERSION ACTUATION SHIFT SYSTEM MECHANICAL	
082	DESIGN, SHIFT SYSTEM MECHANICAL	
083	DESIGN PSE PSE1	
084	DESIGN PSE WITH VALVE SAV6	



Pos.	Information	Amendment number
086	MAIN CUTOFF VALVE WITH	
087	NO. TAPPETS MAIN CUTOFF VALVE 2	
088	POS. AIR CON MAIN CUTOFF VALVE G	
089	DESIGN 1TH GEAR/REVERSE GEAR FORK	
090	DESIGN AIR SHUT-OFF ELEK SAV 6	
091	DIA.THROTTLE VALVE AIR SUPPLY 1.3 mm	
092	SELECTION PATTERN VARIANT GEAR SHIFT PATTERN 1	
093	VERSION OF SYNCHRONIZER 1 1+2 GEAR BK-SYNCHR.MOLYBDAEN	
094	VERSION OF SYNCHRONIZER 2 3+4 GEAR BK-SYNCHR.MOLYBDAEN	
095	REFERENCE LENGTH INPUT SHAFT 117 mm	
096	STANDARD TYPE INPUT SHAFT SAE	
097	NUMBER OF WEDGES INPUT SHAFT 10	
098	VERSION OF INPUT SHAFT FORM C	
099	NOMINAL DIAMETER INPUT SHAFT 2 in	
100	DIAMETER, JOURNAL, INPUT SHAFT 25 mm	
101	TYPE FIT SPIGOTS INPUT SHAFT F7	
102	VER. BEAR. SPIGOTS INPUT SHAFT TAPER ROLLER	
105	DESIGN,CONN., CLUTCH HOUSING SAE 1	
106	CENTR.DIA,HSG/ENGINE CONNECT. 511.175 mm	
107	NUMBER OF BORES,ENGINE CONN. 12	
108	BORE DIA, ENGINE CONNECTION 11 mm	
109	DESIGN, RELEASE SHAFT	
110	WIDTH ACROSS FLATS,RELEAS.FORK 116 mm	
113	REF.LENGTH,RELEASE BEAR.FLAN -24.2 mm	
114	DIAMETER, RELEASE FLANGE 62.62 mm	
115	DESIGN RELEASE CYLINDER WITHOUT GROOVE	
116	OUTER DIA. OUTPUT FLANGE RA 180 mm	
117	NO.OF BORES OUTPUT FLANGE HA1 4	
119	BORE DIA. OUTPUT FLANGE RA 15 mm	
123	CORROS.PROTECTION, OUTP.FLANGE COATED	
124	DIMENSION SHIFT TURRET DIST. 300 mm	
125	MEAS. LOC. SHIFT TURRET DIST. SHIFT LEVER-LOCATION	



Pos.	Information	Amendment number
126	SELECTOR LEVER	
127	RADIUS SELECTOR LEVER mm	
130	LENGTH OFFSET SELECTOR LEVER mm	
131	G.SHIFT LEVER n	
132	RADIUS 1 SHIFT LEVER mm	
135	SHIFT LEVER CONNECTION KNURLING	
142	SPRING ARRANGEMENT Q1	
143	SPRING FORCE DETENT PLUNGER RG 90 N	
146	SELECTOR SPRING FORCE, OUTSIDE 50 N	
148	HUMP SPRING FORCE, OUTSIDE 150.000 N	
153	ALLOCATION DETENT LEVER VER. A	
154	SWITCH, REVERSE GEAR y	
155	DESIGN, RG (REV.GEAR) SWITCH CLOSING	
156	DESIGN, CONNECTION, RG SWITCH DIN BAYONET	
157	CODE SWITCH RG A1	
158	PROT. CAP SWITCH, REVERSE GEAR y	
159	SWITCH, NEUTRAL GEAR y	
160	DESIGN,NG(NEUTRAL GEAR)SWITCH OPENING SWITCH	
161	DESIGN, CONNECTION, NG SWITCH DIN BAYONET	
162	CODE SWITCH NG A1	
163	PROT.CAP SWITCH, NEUTRAL GEAR y	
164	PRESSURE SWITCH n	
168	PROTECTING CAP PRESS.SWITCH	
169	RG-GATE-IDENTIFICATION SWITCH n	
174	SWITCH RG-ENGAGED n	
179	SWITCH GP y	
180	DESIGN, GP SWITCH CLOSING	
181	DESIGN, CONNECTION, GP SWITCH DIN BAYONET	
182	CODE SWITCH GP A1	
183	PROTECTING CAP GP SWITCH y	
189	SWITCH GV n	
194	SWITCH HG n	



Pos.	Information	Amendment number
199	SWITCH 1 GEAR n	
204	ATTACHM.POS.HEAT EXCHANGER IN FRONT RIGHT	
205	DES.CONN.HEAT EXCHANGER PREPARED	
206	VER. TRANSMISSION VENTILATION PLUG CONNECTION 90 DEGREE	
207	LENGTH, VENT TUBE mm	
208	POS.TRANSMISSION VENTILATION IN FRONT	
213	PULSE SENSOR TRANSMISSION PREPARED	
214	PULSE RATE PULSE SENS GEARBOX 6 IMP/U	
215	PROT.CAP PULSE SENSOR GEARBOX	
223	OIL CAPACITY, GEARBOX 15.5 dm3	
224	OIL FILL VARIANT EX WORKS	
225	OIL GRADE PERMISSIBLE ACC. TO TE-ML01	
226	OIL CLASS FIRST FILLING E	
227	CODING OUTER CONSERVATION KA1	
229	CODING INNER CONSERVATION KI1	
230	CONSERVATION SPECIFICATION ZFN 916	
231	COLOR BLACK-GREY	
232	COLOUR CLASSIFICATION ACC. TO RAL 7021	
233	PAINTING, ZF STANDARD 915 W	
282	Documents -----	
283	16-SPEED GEARBOX Drawing 1367.601.002	
284	TURN.SHAFT CONT Drawing 1316.173.010	
285	Alias ID -----	
286	IVECO MAGIRUS AG 41289479	

Assembly group overview

Material number: 1367.002.030

16 S 2220 TO /

Page 1 from 2



Graphics	Pos.	Material number	Name	Quantity	Amend. no.	Techn. Info.
161.01.07-1	110	1356.101.003	GEARBOX HOUSING	1		
161.01.81-1	180	1325.101.810	CLUTCH HOUSING	1		
161.02.05-1	10	1367.102.006	INPUT SHAFT	1		
161.02.80-1	240	1325.102.802	CONNPLATE	1		
161.02.01-1	910	1325.102.016	CONNPLATE	1		
161.03.02-1	20	1356.103.002	LAYSHAFT	1		
161.04.05-1	30	1367.104.004	MAIN SHAFT	1		
161.05.01-1	130	1325.105.001	RETURN	1		
161.06.04-1	40	1356.106.001	GEARSHIFT SYST	1		
161.06.02-1	44	1325.106.803	GEARSHIFT SYST	1		
068.07.81-1	460	1316.108.817	GEAR SHIFT HOUSING	1		
068.07.36-1	910	1316.108.072	GEAR SHIFT HOUSING	1		
068.07.25-1	914	1316.108.459	GEAR SHIFT SHAFT	1		
068.07.55-1	924	1316.108.019	DETENT	1		
068.07.57-1	930	1316.108.811	COVER	1		
062.08.30-1	954	1316.171.403	END COVER	1		
068.08.18-1	960	1316.171.436	PNEUMSERVUNIT	1		
068.09.01-1	934	1316.109.022	CONNECTING PARTS	1		
068.09.12-1	940	1316.109.455	CONNECTING PARTS	1		
161.10.04-1	200	1356.110.002	OIL SUPPLY	1		
161.10.01-1	920	1325.110.005	PUMP	1		
068.12.08-1	918	1316.149.422	SET OF SPRINGS	1		
161.28.02-1	370	1367.128.803	PLANETARY RANGE	1		
161.40.01-1	50	1356.112.001	GV-SHIFT SYSTEM	1		
161.40.80-1	340	1325.112.806	GV-SHIFT SYSTEM	1		
161.43.03-1	40	1325.131.012	GP HOUSING	1		
161.43.40-1	50	1325.131.400	CLOSING COMPONENTS	1		
161.44.01-1	10	1354.132.002	PLANETARY DRIVE	1		
161.44.40-1	60	1325.132.405	OUTPUT FLANGE	1		
161.45.01-1	20	1325.133.004	SYNCHRONIZER	1		
161.46.01-1	30	1325.134.006	GP SHIFT SYSTEM	1		

Assembly group overview

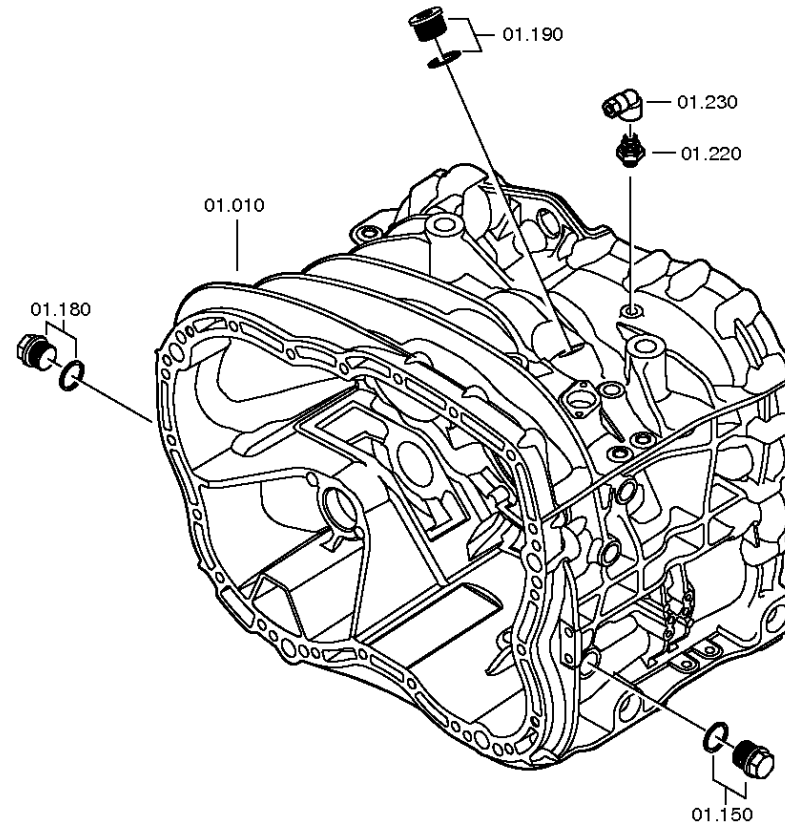
Material number: 1367.002.030

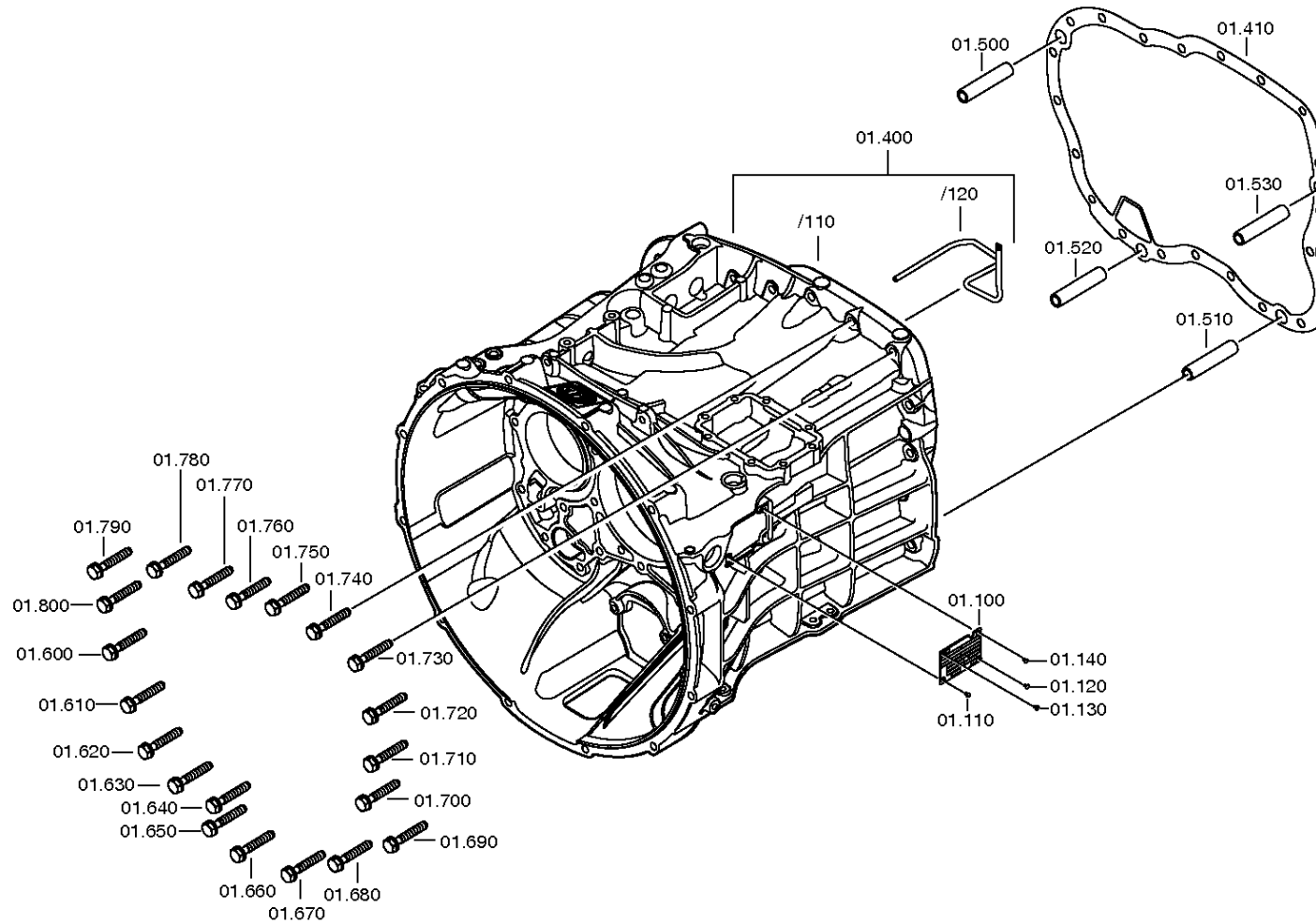
16 S 2220 TO /

Page 2 from 2



Graphics	Pos.	Material number	Name	Quantity	Amend. no.	Techn. Info.
161.46.40-1	400	1325.134.404	SWITCH	1		
161.57.04-1	510	1325.145.004	RANGE SELECTION	1		
161.70.06-1	480	1356.170.009	SHUT-OFF VALVE	1		
161.90.08	320	1325.147.009	SCREW PLUG	1		
161.93.25-1	260	1325.168.005	CLUTCH RELEASE DEVICE	1		





Parts list

Page 1 from 2

Material number: 1367.002.030

16 S 2220 TO /

Plant: 161.01.07-1

Material-assembly-group-no: 1356.101.003



Pos.	Material number	Customer material	Name	Quantity	ME	Amend. no.	Techn. Info.	Weight	Rep kit	Alternative material
10	1325.201.031		GEARBOX HOUSING	1		Z00008470912	KPL.BEARBEITET*GP-ANZ	0,000		
100	---		TYPE PLATE	1			KONZERN	0,000		
---	0730.365.241		TYPE PLATE	1			EINHEITSSCH. VERDREHSICHER	0,000		
---	0730.365.259		TYPE PLATE	1			EINHEITSSCH. VERDREHSICHER	0,000		
---	0730.365.267		TYPE PLATE	1			CHINA	0,000		
---	0730.300.258		TYPE PLATE	1			EINHEITSSCH. VERDREHSICHER	0,000		
---	0730.365.271		TYPE PLATE	1			RUSSLAND/ KYRILLISCH	0,000		
---	0730.365.257		TYPE PLATE	1			S.S.CH IRAN	0,000		
110	0731.300.027		BLIND RIVET	1		Z00007904810		0,000		
120	0731.300.027		BLIND RIVET	1		Z00007904810		0,000		
130	0731.300.027		BLIND RIVET	1		Z00007904810		0,000		
140	0731.300.027		BLIND RIVET	1		Z00007904810		0,000		
150	---		SCREW PLUG	1		Z00010112111	60N.M*DICHTRING M24X1,5	0,000		
---	0636.304.088		SCREW PLUG	1		Z00010112110	M24X1,5	0,000		
---	0730.008.637		SEALING RING	1		Z00010112110	A24X29	0,000		
180	---		SCREW PLUG	1		Z00010112111	60N.M*DICHTRING M24X1,5	0,000		
---	0636.304.088		SCREW PLUG	1		Z00010112110	M24X1,5	0,000		
---	0730.008.637		SEALING RING	1		Z00010112110	A24X29	0,000		
190	---		SCREW PLUG	1		Z00010164412	70N.M*DICHTRING M26X1,5	0,000		
---	0636.100.811		SCREW PLUG	1		Z00010164420	M26X1,5	0,000		
---	0634.801.249		SEALING RING	1		Z00010164420	26X31	0,010		
220	0501.315.794		CANNON SOCKET	1		Z00006366310	VOSS M10X1	0,000		
230	0501.315.796		ANGLE PIECE	1			VOSS	0,000		

Parts list

Page 2 from 2

Material number: 1367.002.030

16 S 2220 TO /

Plant: 161.01.07-1

Material-assembly-group-no: 1356.101.003



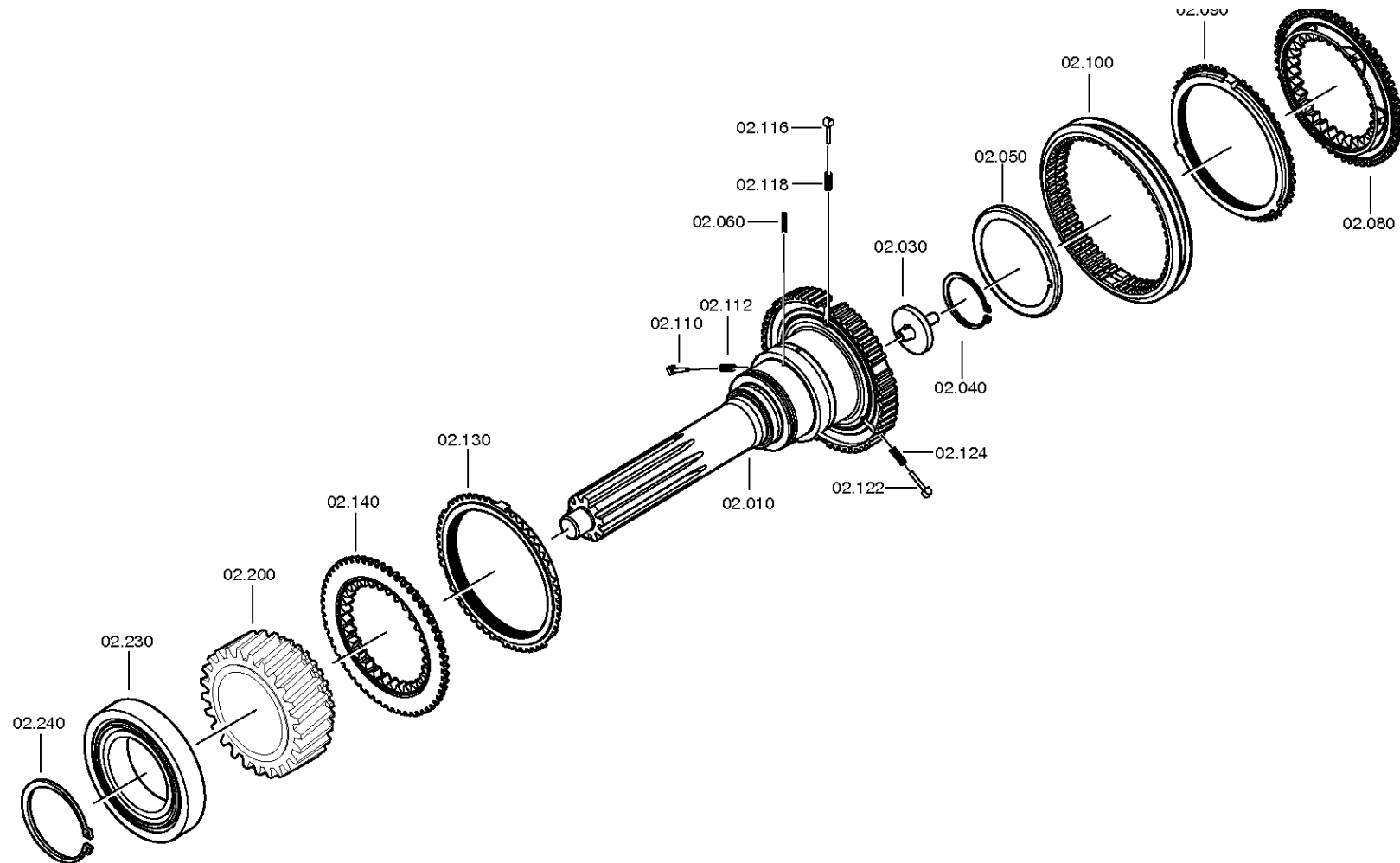
Pos.	Material number	Customer material	Name	Quantity	ME	Amend. no.	Techn. Info.	Weight	Rep kit	Alternative material
400	1325.201.025		CLUTCH HOUSING	1			SAE D=11*ABSTZG. 2X D=9*UNBEARB. SENSOR/GV/M8/ SCHUTZBL/LEITG	0,000		
410	0501.322.776		GASKET	1				0,000		
500	0731.201.563		CYLINDRICAL PIN	1				0,000		
510	0731.201.563		CYLINDRICAL PIN	1				0,000		
520	0731.201.563		CYLINDRICAL PIN	1				0,000		
530	0731.201.563		CYLINDRICAL PIN	1				0,000		
600	0636.016.405		HEXAGON BOLT	1		Z00007060111	M10X60	0,000		
610	0636.016.405		HEXAGON BOLT	1		Z00007060111	M10X60	0,000		
620	0636.016.405		HEXAGON BOLT	1		Z00007060111	M10X60	0,000		
630	0636.016.405		HEXAGON BOLT	1		Z00007060111	M10X60	0,000		
640	0636.016.405		HEXAGON BOLT	1		Z00007060111	M10X60	0,000		
650	0636.016.405		HEXAGON BOLT	1		Z00007060111	M10X60	0,000		
660	0636.016.405		HEXAGON BOLT	1		Z00007060111	M10X60	0,000		
670	0636.016.405		HEXAGON BOLT	1		Z00007060111	M10X60	0,000		
680	0636.016.405		HEXAGON BOLT	1		Z00007060111	M10X60	0,000		
690	0636.016.405		HEXAGON BOLT	1		Z00007060111	M10X60	0,000		
700	0636.016.405		HEXAGON BOLT	1		Z00007060111	M10X60	0,000		
710	0636.016.405		HEXAGON BOLT	1		Z00007060111	M10X60	0,000		
720	0636.016.405		HEXAGON BOLT	1		Z00007060111	M10X60	0,000		
730	0636.016.405		HEXAGON BOLT	1		Z00007060111	M10X60	0,000		
740	0636.016.405		HEXAGON BOLT	1		Z00007060111	M10X60	0,000		
750	0636.016.405		HEXAGON BOLT	1		Z00007060111	M10X60	0,000		
760	0636.016.405		HEXAGON BOLT	1		Z00007060111	M10X60	0,000		
770	0636.016.405		HEXAGON BOLT	1		Z00007060111	M10X60	0,000		
780	0636.016.405		HEXAGON BOLT	1		Z00007060111	M10X60	0,000		
790	0636.016.405		HEXAGON BOLT	1		Z00007060111	M10X60	0,000		
800	0636.016.405		HEXAGON BOLT	1		Z00007060111	M10X60	0,000		

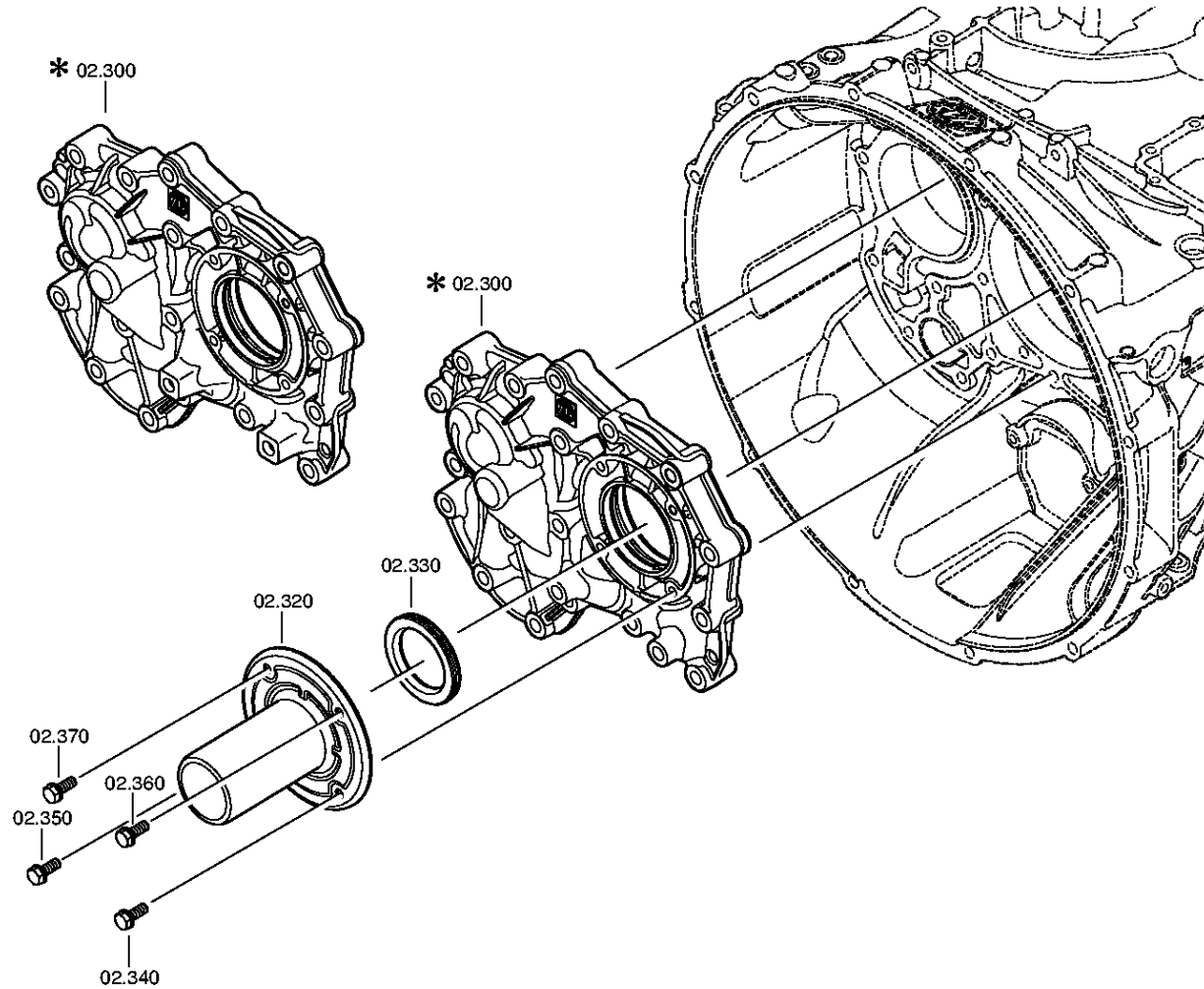
Plant

Page 1 from 3

Material number: 1367.002.030
Plant: 161.02.05-1
CONNPLATE

16 S 2220 TO /
INPUT SHAFT



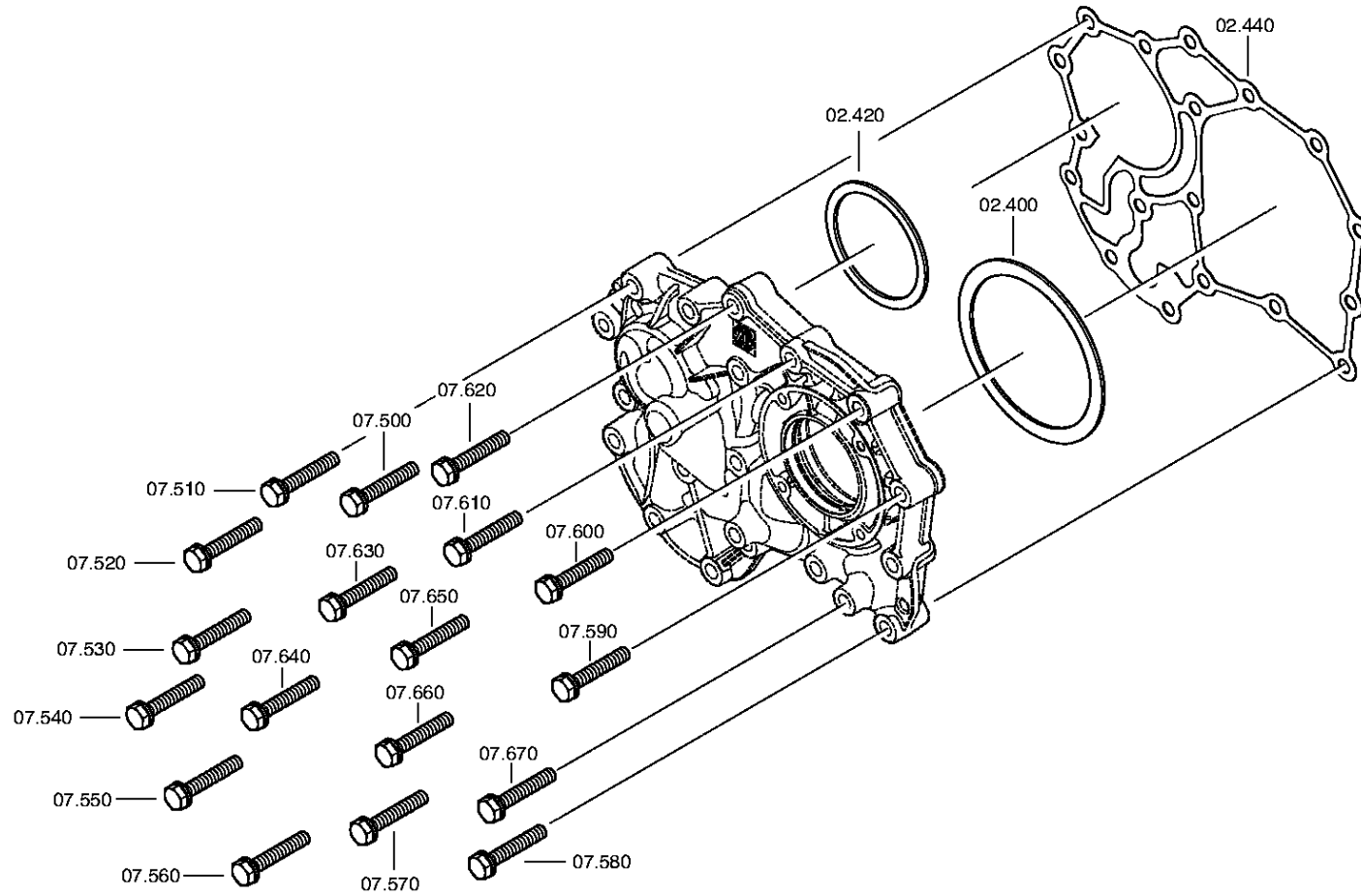


Plant

Page 3 from 3

Material number: 1367.002.030
Plant: 161.02.80-1
CONNPLATE

16 S 2220 TO /
INPUT SHAFT



Parts list

Page 1 from 5

Material number: 1367.002.030

16 S 2220 TO /

Plant: 161.02.05-1

Material-assembly-group-no: 1367.102.006



Pos.	Material number	Customer material	Name	Quantity	ME	Amend. no.	Techn. Info.	Weight	Rep kit	Alternative material
10	1356.302.103		INPUT SHAFT	1		Z00011537241		0,000		
30	1354.302.019		PIPE	1		Z00003080110		0,000		
40	0630.502.027		RETAINING RING	1		Z00003080110	50X2	8		
50	0750.101.179		OIL DAM	1		Z00007187910	88,0X95,5X6,0	0,000		
60	0631.328.659		SLOTPIN	1		Z00003080110	4X30	0,000		
80	1316.304.190		CLUTCH BODY	1		Z00012049010	ZF-BK 144 O	0,000		
90	1316.304.189	1832004	SYNCHRO RING	1		Z00003080110	ZF-BK 144	0,000		
100	1356.304.023		SLIDING SLEEVE	1		Z00011717310	ZF-BK 144	0,000		
110	1297.304.436		PRESSURE PIECE	1		Z00003080110		0,004		
112	0732.040.409		COMPRSPRING	1		Z00003080110		0,002		
116	1297.304.436		PRESSURE PIECE	1		Z00003080110		0,004		
118	0732.040.409		COMPRSPRING	1		Z00003080110		0,002		
122	1297.304.436		PRESSURE PIECE	1		Z00003080110		0,004		
124	0732.040.409		COMPRSPRING	1		Z00003080110		0,002		
130	1316.304.189	1832004	SYNCHRO RING	1		Z00003080110	ZF-BK 144	0,000		
140	1316.304.190		CLUTCH BODY	1		Z00012049010	ZF-BK 144 O	0,000		
200	1316.302.067		HELICAL GEAR	1		Z00002002910	Z35 IN 1316 302 026(1)	0,000		
230	0750.117.732	820-400-2350	TAROLLBEARING	1		Z00003080110	85,0X150,0X30,5	0,000		
240	0730.501.598		RETAINING RING	1		Z00003080110	85X4	0,000		
300	1325.302.052	1869862	CONNPLATE	1				0,000		
320	1325.302.029	1869863	GUIDE TUBE	1				0,000		
330	---		SHAFT SEAL	1			55X78X8	0,000		
---	0734.310.435	1831926	SHAFT SEAL	1			55X78X8 FA.CFW	0,000		
340	0636.100.466		COMBISCREW	1		Z00009178210	M8X22	0,000		
350	0636.100.466		COMBISCREW	1		Z00009178210	M8X22	0,000		
360	0636.100.466		COMBISCREW	1		Z00009178210	M8X22	0,000		
370	0636.100.466		COMBISCREW	1		Z00009178210	M8X22	0,000		
400	---		SHIM	1			H= 0,90- 2,20(ABSTUFUNG:0,05MM)	0,000		
---	2050.309.094		SHIM	1			A=2,2 IN 2050 309 090 C45E WW.F500 ZFN410	0,000		

Parts list

Page 2 from 5

Material number: 1367.002.030

16 S 2220 TO /

Plant: 161.02.05-1

Material-assembly-group-no: 1367.102.006



Pos.	Material number	Customer material	Name	Quantity	ME	Amend. no.	Techn. Info.	Weight	Rep kit	Alternative material
---	0730.007.489		SHIM	1			A=2,15 IN 2050 309 090(2)	0,000		
---	0730.007.488		SHIM	1			A=2,10 IN 2050 309 090(2)	0,000		
---	0730.007.487		SHIM	1			A=2,05 IN 2050 309 090(2)	0,000		
---	0730.007.486		SHIM	1			A=2,00 IN 2050 309 090(2)	0,000		
---	0730.007.485		SHIM	1			A=1,95 IN 2050 309 090(2)	0,000		
---	0730.007.484		SHIM	1			A=1,90 IN 2050 309 090(2)	0,000		
---	0730.007.483		SHIM	1			A=1,85 IN 2050 309 090(2)	0,000		
---	0730.007.482		SHIM	1			A=1,80 IN 2050 309 090(2)	0,000		
---	0730.007.481		SHIM	1			A=1,75 IN 2050 309 090(2)	0,000		
---	0730.007.480	1833896	SHIM	1			A=1,70 IN 2050 309 090(2)	0,000		
---	0730.007.479		SHIM	1			A=1,65 IN 2050 309 090(2)	0,000		
---	0730.007.136		SHIM	1			A=1,60 IN 2050 309 090(2)	0,000		
---	0730.007.135		SHIM	1			A=1,55 IN 2050 309 090(2)	0,000		
---	0730.007.134		SHIM	1			A=1,50 IN 2050 309 090(2)	0,000		
---	0730.007.133		SHIM	1			A=1,45 IN 2050 309 090(2)	0,000		
---	0730.007.132		SHIM	1			A=1,40 IN 2050 309 090(2)	0,000		

Parts list

Page 3 from 5

Material number: 1367.002.030

16 S 2220 TO /

Plant: 161.02.05-1

Material-assembly-group-no: 1367.102.006



Pos.	Material number	Customer material	Name	Quantity	ME	Amend. no.	Techn. Info.	Weight	Rep kit	Alternative material
---	0730.007.131		SHIM	1			A=1,35 IN 2050 309 090(2)	0,000		
---	0730.007.130		SHIM	1			A=1,30 IN 2050 309 090(2)	0,000		
---	0730.007.129		SHIM	1			A=1,25 IN 2050 309 090(2)	0,000		
---	2050.309.034		SHIM	1			A=1,2 IN 2050 309 090 C45E WW.F500 ZFN410	0,000		
---	0730.007.128		SHIM	1			A=1,15 IN 2050 309 090(2)	0,000		
---	0730.007.127		SHIM	1			A=1,10 IN 2050 309 090(2)	0,000		
---	0730.007.126		SHIM	1			A=1,05 IN 2050 309 090(2)	0,000		
---	2050.309.065		SHIM	1			A=1,0 IN 2050 309 090 C45E WW.F500 ZFN410	0,000		
---	0730.005.749		SHIM	1			A=0,95 IN 2050 309 090(2)	0,000		
---	0730.005.748	5 5258 0	SHIM	1			A=0,90 IN 2050 309 090(2)	0,000		
420	---		SHIM	1			H= 1,85- 3,25(ABSTUFUNG:0,05MM)	0,000		
---	0730.112.938		SHIM	1		C01007375C10	A=3,25	0,000		
---	0730.112.937		SHIM	1		C01007375C10	A=3,20	0,000		
---	0730.112.936		SHIM	1		C01007375C10	A=3,15	0,000		
---	0730.112.935		SHIM	1		C01007375C10	A=3,10	0,000		
---	0730.106.860		SHIM	1		C01007375C10	A=3,05 IN 0730 106 904(2)	0,000		
---	0730.106.917		SHIM	1			A=3,00 IN 0730 106 904(2)	0,000		
---	0730.106.916	1833921	SHIM	1			A=2,95 IN 0730 106 904(2)	0,000		

Parts list

Page 4 from 5

Material number: 1367.002.030

16 S 2220 TO /

Plant: 161.02.05-1

Material-assembly-group-no: 1367.102.006



Pos.	Material number	Customer material	Name	Quantity	ME	Amend. no.	Techn. Info.	Weight	Rep kit	Alternative material
---	0730.106.915	1833920	SHIM	1			A=2,90 IN 0730 106 904(2)	0,000		
---	0730.106.914	1833919	SHIM	1			A=2,85 IN 0730 106 904(2)	0,000		
---	0730.106.913	1833918	SHIM	1			A=2,80 IN 0730 106 904(2)	0,000		
---	0730.106.912		SHIM	1			A=2,75 IN 0730 106 904(2)	0,000		
---	0730.106.911	1833917	SHIM	1			A=2,70 IN 0730 106 904(2)	0,000		
---	0730.106.910	1833916	SHIM	1			A=2,65 IN 0730 106 904(2)	0,000		
---	0730.106.909	1833915	SHIM	1			A=2,60 IN 0730 106 904(2)	0,000		
---	0730.106.908	1833914	SHIM	1			A=2,55 IN 0730 106 904(2)	0,000		
---	0730.100.799		SHIM	1			A=2,50 IN 0730 106 904(2)	0,000		
---	0730.100.800	1833898	SHIM	1			A=2,45 IN 0730 106 904(2)	0,000		
---	0730.100.801		SHIM	1			A=2,40 IN 0730 106 904(2)	0,000		
---	0730.100.802	1833900	SHIM	1			A=2,35 IN 0730 106 904(2)	0,000		
---	0730.100.803	1833905	SHIM	1			A=2,30 IN 0730 106 904(2)	0,000		
---	0730.101.466		SHIM	1			A=2,25 IN 0730 106 904(2)	0,000		
---	0730.101.467	1833906	SHIM	1			A=2,20 IN 0730 106 904(2)	0,000		
---	0730.101.468	1833907	SHIM	1			A=2,15 IN 0730 106 904(2)	0,000		

Parts list

Page 5 from 5

Material number: 1367.002.030

16 S 2220 TO /

Plant: 161.02.05-1

Material-assembly-group-no: 1367.102.006



Pos.	Material number	Customer material	Name	Quantity	ME	Amend. no.	Techn. Info.	Weight	Rep kit	Alternative material
---	0730.101.469	1833909	SHIM	1			A=2,10 IN 0730 106 904(2)	0,000		
---	0730.101.470	1833910	SHIM	1			A=2,05 IN 0730 106 904(2)	0,000		
---	0730.101.471		SHIM	1			A=2,00 IN 0730 106 904(2)	0,000		
---	0730.106.907	1833912	SHIM	1			A=1,95 IN 0730 106 904(2)	0,000		
---	0730.106.906	1833911	SHIM	1			A=1,90 IN 0730 106 904(2)	0,000		
---	0730.106.905		SHIM	1			A=1,85 IN 0730 106 904(2)	0,000		
440	0501.324.454		GASKET	1		C01005568F10		0,000		
500	0636.102.270	1877892	HEXAGON BOLT	1		Z00009177410	M10X60	0,000		
510	0636.102.270	1877892	HEXAGON BOLT	1		Z00009177410	M10X60	0,000		
520	0636.102.270	1877892	HEXAGON BOLT	1		Z00009177410	M10X60	0,000		
530	0636.102.270	1877892	HEXAGON BOLT	1		Z00009177410	M10X60	0,000		
540	0636.102.270	1877892	HEXAGON BOLT	1		Z00009177410	M10X60	0,000		
550	0636.102.270	1877892	HEXAGON BOLT	1		Z00009177410	M10X60	0,000		
560	0636.102.270	1877892	HEXAGON BOLT	1		Z00009177410	M10X60	0,000		
570	0636.102.270	1877892	HEXAGON BOLT	1		Z00009177410	M10X60	0,000		
580	0636.102.270	1877892	HEXAGON BOLT	1		Z00009177410	M10X60	0,000		
590	0636.102.270	1877892	HEXAGON BOLT	1		Z00009177410	M10X60	0,000		
600	0636.102.270	1877892	HEXAGON BOLT	1		Z00009177410	M10X60	0,000		
610	0636.102.270	1877892	HEXAGON BOLT	1		Z00009177410	M10X60	0,000		
620	0636.102.270	1877892	HEXAGON BOLT	1		Z00009177410	M10X60	0,000		
630	0636.102.270	1877892	HEXAGON BOLT	1		Z00009177410	M10X60	0,000		
640	0636.102.270	1877892	HEXAGON BOLT	1		Z00009177410	M10X60	0,000		
650	0636.102.270	1877892	HEXAGON BOLT	1		Z00009177410	M10X60	0,000		
660	0636.102.270	1877892	HEXAGON BOLT	1		Z00009177410	M10X60	0,000		
670	0636.102.270	1877892	HEXAGON BOLT	1		Z00009177410	M10X60	0,000		

Plant

Page 1 from 1

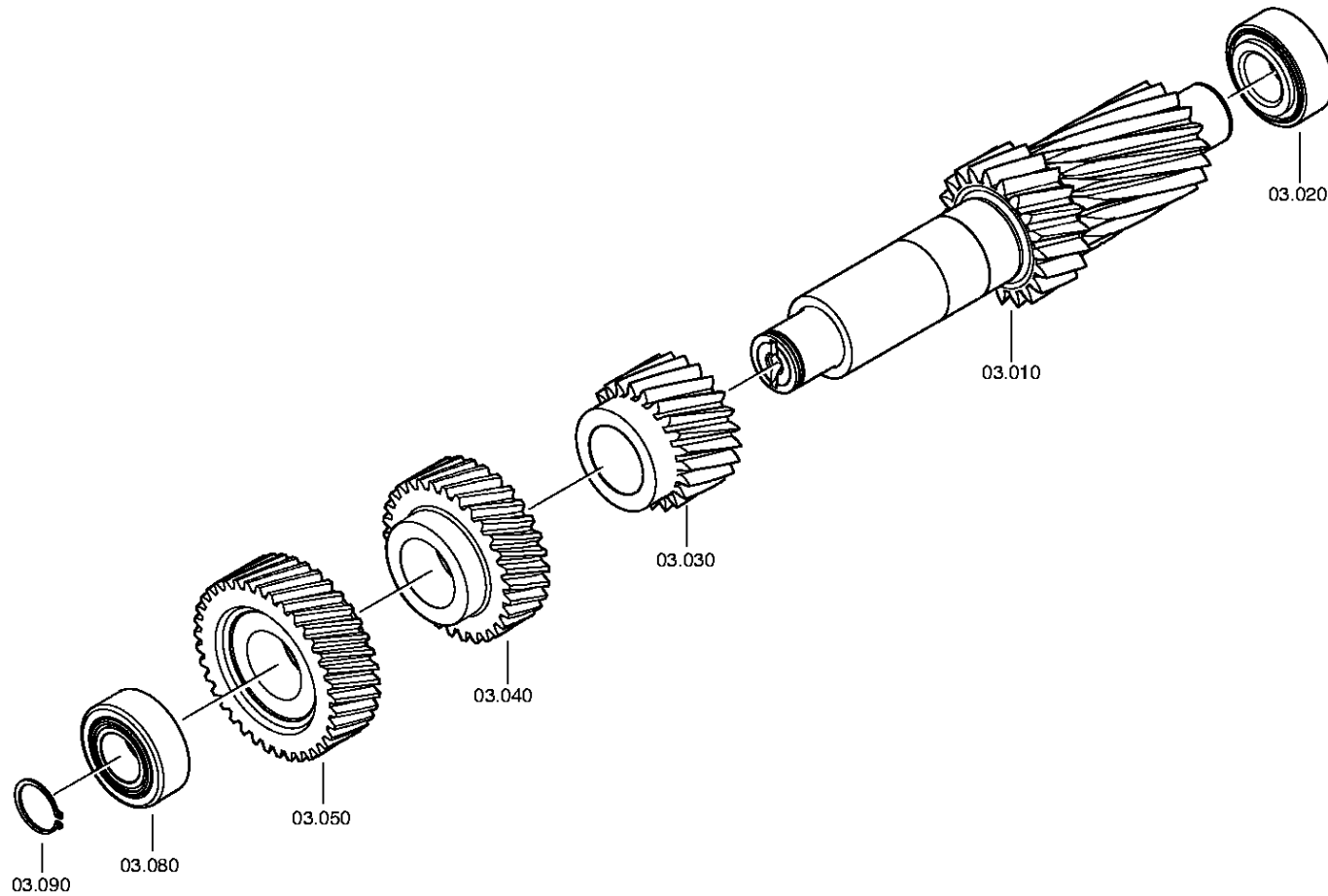
Material number: 1367.002.030

Plant: 161.03.02-1

Material-assembly-group-no: 1356.103.002

16 S 2220 TO /

LAYSHAFT



Parts list

Page 1 from 1

Material number: 1367.002.030

16 S 2220 TO /

Plant: 161.03.02-1

Material-assembly-group-no: 1356.103.002



Pos.	Material number	Customer material	Name	Quantity	ME	Amend. no.	Techn. Info.	Weight	Rep kit	Alternative material
10	1316.303.033	5 5340 0	LAYSHAFT	1			ENTHALT.IN 1316 303 032(0)	0,000		
20	0750.117.009	820-400-2480	TAROLLBEARING	1			49,2X103,1X43,6	0,000		
30	1316.303.005		HELICAL GEAR	1			3G/Z26 IN 1312 303 018(1)	0,000		
40	1316.303.065		HELICAL GEAR	1			Z35 IN 1312 303 013(1)	0,000		
50	1316.303.071		HELICAL GEAR	1			KON 1	0,000		
80	0750.117.009	820-400-2480	TAROLLBEARING	1			49,2X103,1X43,6	0,000		
90	---		RETAINING RING	1			H= 2,40- 3,00(ABSTUFUNG:0,05MM)	0,000		
---	0630.531.065	VOE12743111	RETAINING RING	1			50X3	16		
---	0630.501.111		RETAINING RING	1			50X2,95	0,000		
---	0630.501.112	0002640551	RETAINING RING	1			50X2,9	0,000		
---	0630.501.113		RETAINING RING	1			50X2,85	0,000		
---	0630.501.114	5004853	RETAINING RING	1			50X2,8	0,000		
---	0630.501.115		RETAINING RING	1			50X2,75	0,000		
---	0630.501.116	5004854	RETAINING RING	1			50X2,7	0,000		
---	0630.501.117		RETAINING RING	1			50X2,65	0,000		
---	0630.501.118	0002641251	RETAINING RING	1			50X2,6	0,000		
---	0630.501.160		RETAINING RING	1			50X2,55	0,000		
---	0630.531.064	1663657	RETAINING RING	1			50X2,5	0,100		
---	0630.501.159		RETAINING RING	1			50X2,45	0,000		
---	0630.501.148	0002641051	RETAINING RING	1			50X2,4	0,000		

Parts list

Page 1 from 4

Material number: 1367.002.030

16 S 2220 TO /

Plant: 161.04.05-1

Material-assembly-group-no: 1367.104.004



Pos.	Material number	Customer material	Name	Quantity	ME	Amend. no.	Techn. Info.	Weight	Rep kit	Alternative material
10	1316.304.132		MAIN SHAFT	1				0,000		
30	0750.115.303	820-400-2490	NEEDLE CAGE	1			92,0X100,0X63,0	0,000		
40	1316.304.002	133-242-3900	HELICAL GEAR	1			2G/Z38 IN 1316 304 005(1)	0,000		
50	1356.204.007		SYNCHRONIZER	1		Z00006981310	KPL.1+2G*BK160 MOLYBDAEN* ECOSPLIT 3+4	0,000		
/10	1356.304.022		SYNCHROBODY	1		Z00006981313		0,000		
/20	1356.304.024	1865591	SLIDING SLEEVE	1		Z00006981313	ZF-BK 160	0,000		
/30	1316.304.170		SYNCHRO RING	2		Z00006981313		0,000		
/50	1297.304.436		PRESSURE PIECE	3		Z00006981313		0,004		
/60	0732.040.409		COMPRSPRING	3		Z00006981313		0,002		
/80	1316.304.156		CLUTCH BODY	2		Z00006981313		0,000		
140	1312.304.084	820-400-2530	BUSH	1			ENTHALT.IN 1312 304 007(2)	0,000		
150	0750.115.327	5 8157 0	NEEDLE CAGE	1			96,0X104,0X72,0	0,000		
160	1316.304.010	133-242-3910	HELICAL GEAR	1			1G/Z47 IN 1312 304 033(0)	0,000		
180	1312.304.124		CLUTCH BODY	1			ENTHALT.IN 1312 304 055(0)	0,000		
200	1316.304.133	820-400-2550	BUSH	1			A=50,00 IN 1312 304 010(2)	0,000		
210	0750.115.326	820-400-2560	NEEDLE CAGE	1			90,0X98,0X50,0	0,000		
220	---		HELICAL GEAR	1				0,000		
---	1316.304.012	133-242-3920	HELICAL GEAR	1			RG*Z44 IN 1312 304 125(0)	0,000		
230	0750.117.678	820-400-2570	TAROLLBEARING	1			80,0X140,0X36,5	0,000		
240	---		RETAINING RING	1			H= 3,00- 3,65(ABSTUFUNG:0,05MM)	0,000		
---	0630.501.316	820-400-2580	RETAINING RING	1			80X3,5	0,000		
---	0630.501.336	820-400-2581	RETAINING RING	1			80X3,45	0,000		
---	0630.501.315	820-400-2582	RETAINING RING	1			80X3,4	0,000		

Parts list

Page 2 from 4

Material number: 1367.002.030

16 S 2220 TO /

Plant: 161.04.05-1

Material-assembly-group-no: 1367.104.004



Pos.	Material number	Customer material	Name	Quantity	ME	Amend. no.	Techn. Info.	Weight	Rep kit	Alternative material
---	0630.501.335	820-400-2583	RETAINING RING	1			80X3,35	0,000		
---	0630.501.314	820-400-2584	RETAINING RING	1			80X3,3	0,000		
---	0630.501.334	820-400-2585	RETAINING RING	1			80X3,25	0,000		
---	0630.501.313	820-400-2586	RETAINING RING	1			80X3,2	0,000		
---	0630.501.333	820-400-2587	RETAINING RING	1			80X3,15	0,000		
---	0630.501.312	820-400-2588	RETAINING RING	1			80X3,1	0,000		
---	0630.501.337	820-400-2589	RETAINING RING	1			80X3,55	0,000		
---	0630.501.338	820-400-2590	RETAINING RING	1			80X3,6	0,000		
---	0630.501.339	820-400-2591	RETAINING RING	1			80X3,65	0,000		
250	1312.304.150	820-400-2610	PIPE	1				0,000		
260	0750.115.303	820-400-2490	NEEDLE CAGE	1			92,0X100,0X63,0	0,000		
270	1316.304.008	133-242-3930	HELICAL GEAR	1			3G/Z34 IN 1312 304 135(1)	0,000		
280	1356.304.025		CLUTCH BODY	1		Z00005152413		0,000		
290	1356.204.005		SYNCHRONIZER	1		Z00005152413	3+4G*BK144 CARBON*MIT DRUCKSTCK. HALTENASEN	0,000		
/10	1356.304.019		SYNCHROBODY	1		Z00005152410		0,000		
/20	1356.304.023		SLIDING SLEEVE	1		Z00005152410	ZF-BK 144	0,000		
/30	1316.304.196		SYNCHRO RING	2		Z00005152410		0,000		
/50	1297.304.436		PRESSURE PIECE	3		Z00005152410		0,004		
/60	0732.040.409		COMPRSPRING	3		Z00005152410		0,002		
370	1356.304.025		CLUTCH BODY	1		Z00005152413		0,000		
380	0750.101.158		THRUST WASHER	1				0,000		
390	0750.101.158		THRUST WASHER	1				0,000		
400	0750.119.124	5 8910 0	INNER RING	1			67,0X77,0X66,1	0,000		
410	0750.115.531	5 8908 0	ROLLER CAGE	1			77,0X101,0X29,0	0,000		
420	0750.115.531	5 8908 0	ROLLER CAGE	1			77,0X101,0X29,0	0,000		
440	1316.304.103	133-242-3940	HELICAL GEAR	1			Z32	0,000		

Parts list

Page 3 from 4

Material number: 1367.002.030

16 S 2220 TO /

Plant: 161.04.05-1

Material-assembly-group-no: 1367.104.004



Pos.	Material number	Customer material	Name	Quantity	ME	Amend. no.	Techn. Info.	Weight	Rep kit	Alternative material
600	---		AXIAL WASHER	1			H= 7,30- 8,00(ABSTUFUNG:0,10MM)	0,000		
---	1315.304.048	5 5877 0	AXIAL WASHER	1			A=8,00 IN 1315 304 042(2)	0,000		
---	1315.304.047	5 5859 0	AXIAL WASHER	1			A=7,90 IN 1315 304 042(2)	0,000		
---	1315.304.046		AXIAL WASHER	1			A=7,80 IN 1315 304 042(2)	0,000		
---	1315.304.045	5 5858 0	AXIAL WASHER	1			A=7,70 IN 1315 304 042(2)	0,000		
---	1315.304.044		AXIAL WASHER	1			A=7,60 IN 1315 304 042(2)	0,000		
---	1315.304.043		AXIAL WASHER	1			A=7,50 IN 1315 304 042(2)	0,000		
---	1315.304.085		AXIAL WASHER	1			A=7,40 IN 1315 304 042(2)	0,000		
---	1315.304.086	1833949	AXIAL WASHER	1			A=7,30 IN 1315 304 042(2)	0,000		
610	0750.117.232	820-400-2650	TAROLLBEARING	1			42,0X40,3	0,000		
620	1312.204.040		SPLIT RING	1			GESTANZT	0,000		
/10	---		SPLIT RING	2			H= 4,60- 5,00(ABSTUFUNG:0,10MM)	0,000		
---	0730.107.023	820-400-2660	SPLIT RING	2			A=5,00 IN 0730 106 207(2)	0,000		
---	0730.107.022	820-400-2661	SPLIT RING	2			A=4,90 IN 0730 106 207(2)	0,000		
---	0730.107.021	820-400-2662	SPLIT RING	2			A=4,80 IN 0730 106 207(2)	0,000		
---	0730.107.020	820-400-2663	SPLIT RING	2			A=4,70 IN 0730 106 207(2)	0,000		
---	0730.107.019	820-400-2664	SPLIT RING	2			A=4,60 IN 0730 106 207(2)	0,000		

Parts list

Page 4 from 4

Material number: 1367.002.030

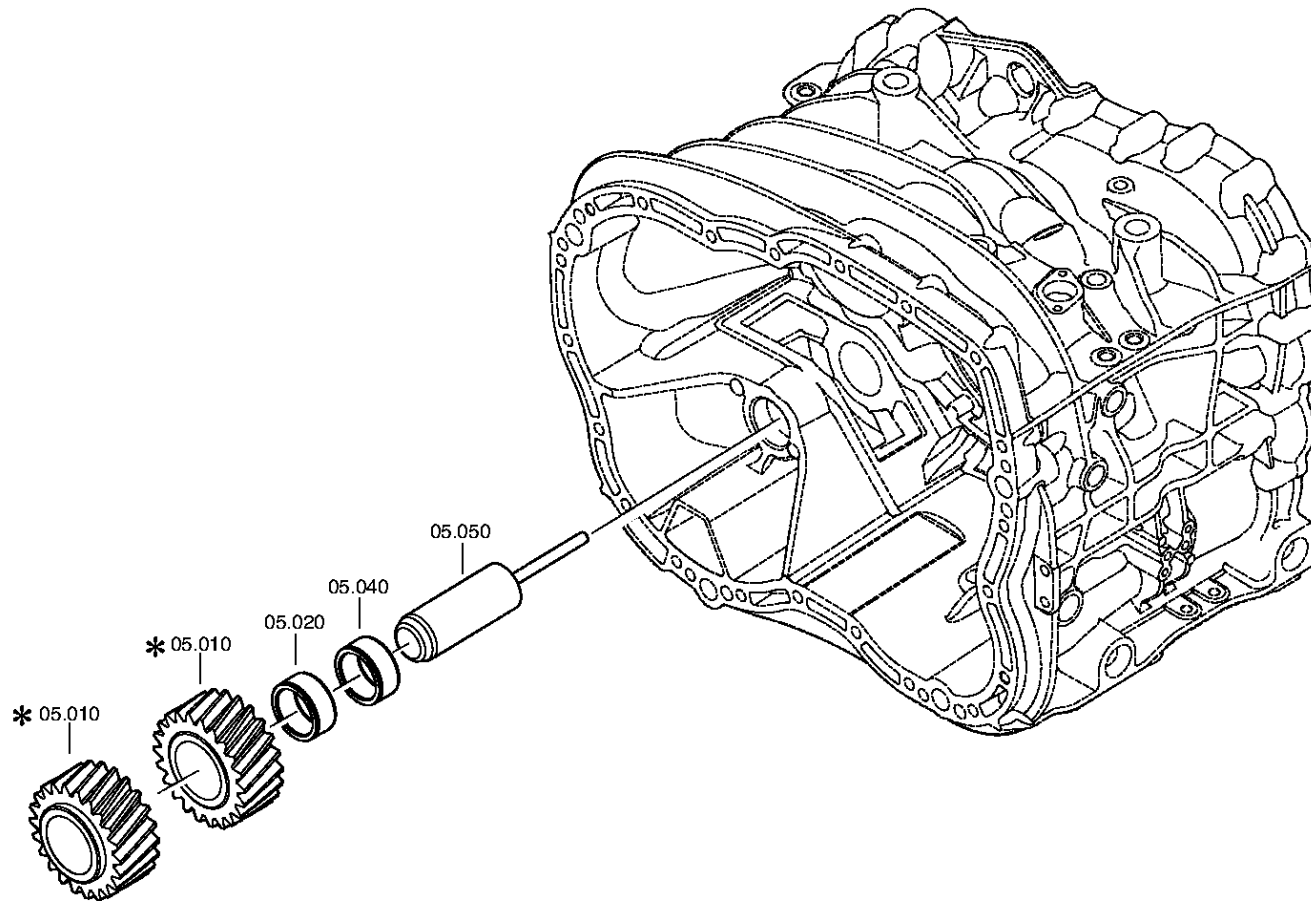
16 S 2220 TO /

Plant: 161.04.05-1

Material-assembly-group-no: 1367.104.004



Pos.	Material number	Customer material	Name	Quantity	ME	Amend. no.	Techn. Info.	Weight	Rep kit	Alternative material
/20	0730.062.781	820-400-2670	RETAINING RING	1			ENTHALT.IN 0730 062 636(2)	0,000		



Parts list

Page 1 from 1

Material number: 1367.002.030

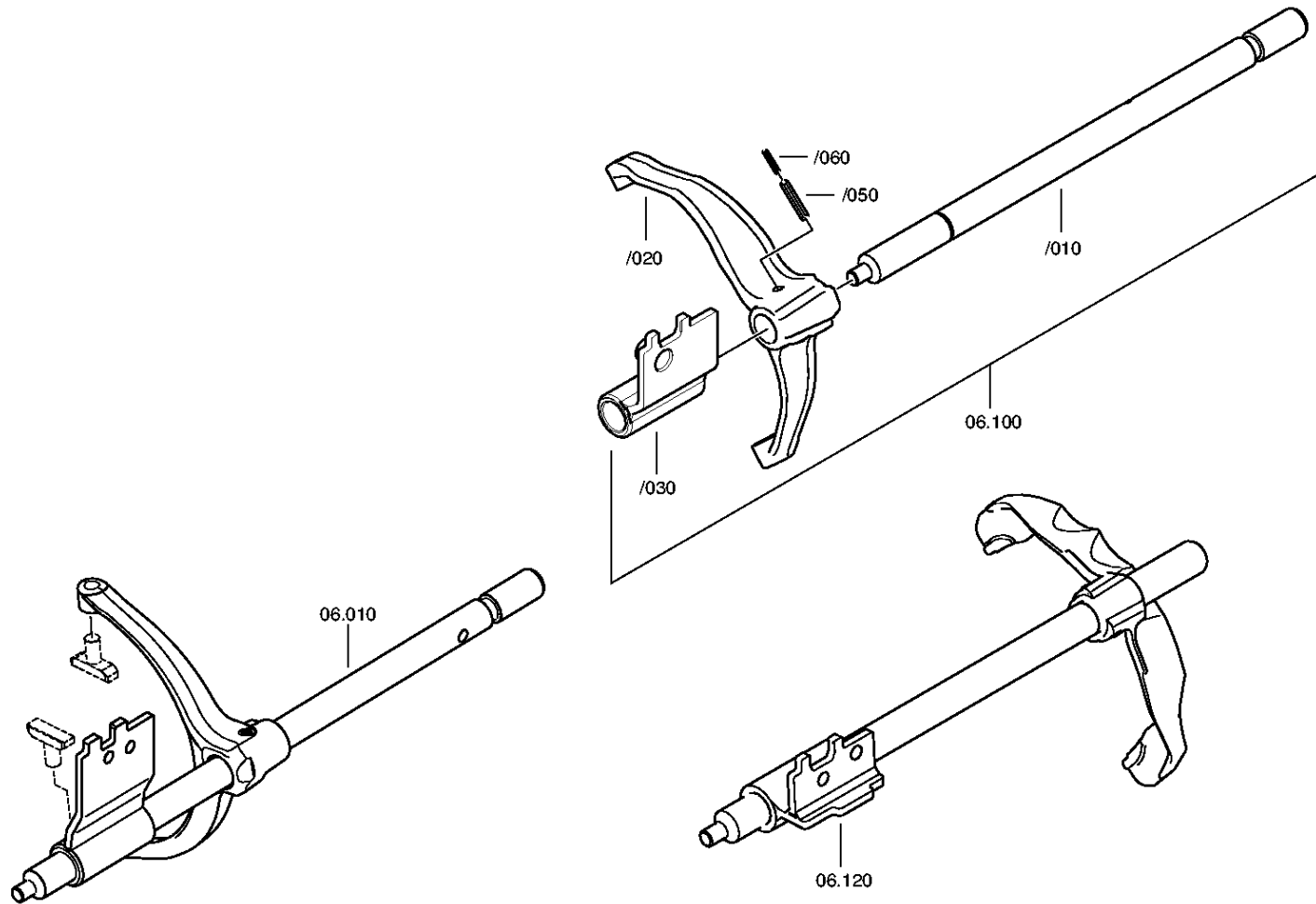
16 S 2220 TO /

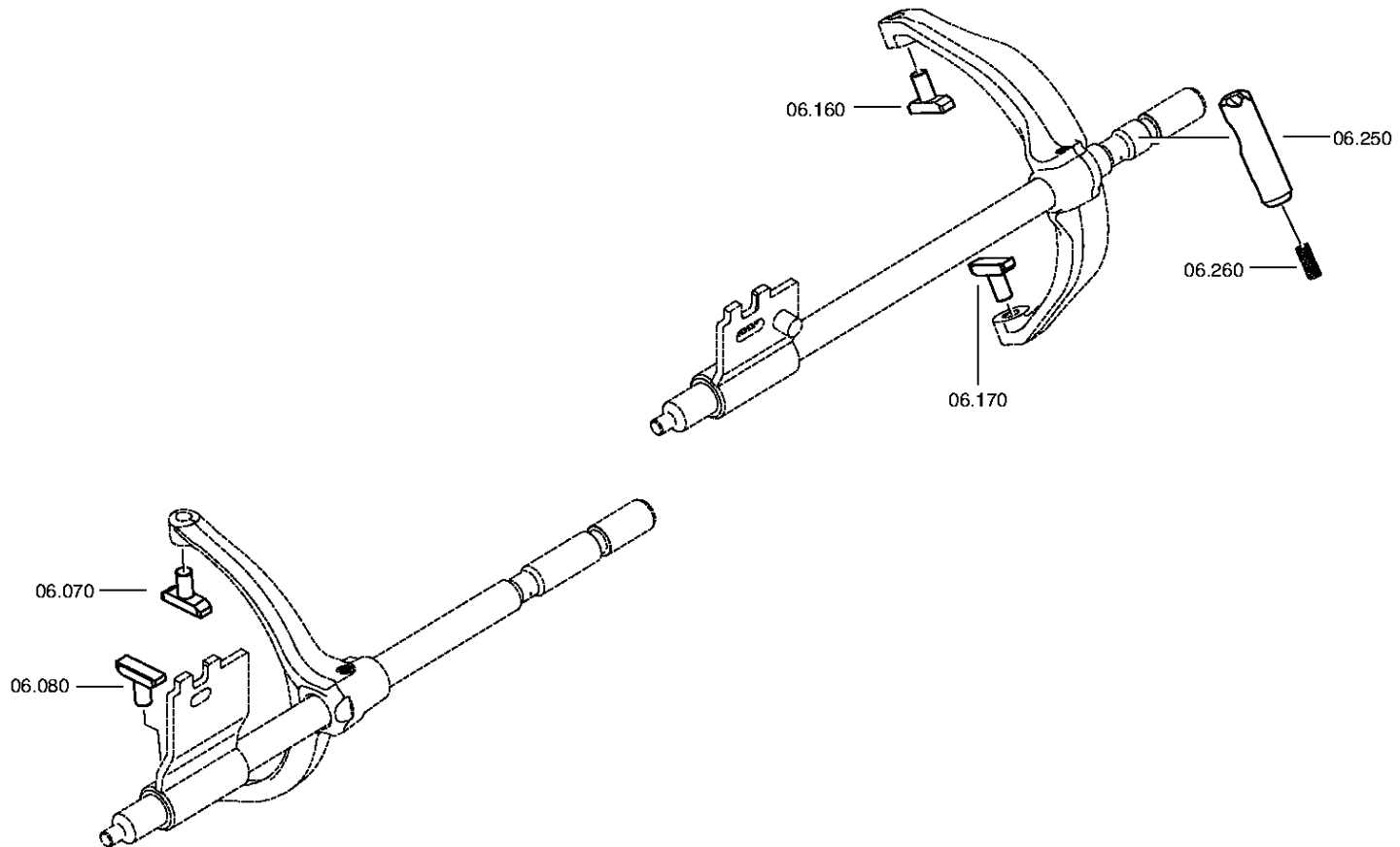
Plant: 161.05.01-1

Material-assembly-group-no: 1325.105.001



Pos.	Material number	Customer material	Name	Quantity	ME	Amend. no.	Techn. Info.	Weight	Rep kit	Alternative material
10	---		REVERSE IDLER GEAR	1		C01006413F10		0,000		
---	1316.305.001		REVERSE IDLER GEAR	1			Z22 IN 1295 305 050(1)	0,000		
---	1316.305.008	1882761	REVERSE IDLER GEAR	1			Z22 IN 1295 305 050(1)	0,000		
20	0750.115.369	820-400-2290	NEEDLE CAGE	1			45,0X57,0X25,0	0,000		
40	0750.115.369	820-400-2290	NEEDLE CAGE	1			45,0X57,0X25,0	0,000		
50	1316.201.030		REVERSE IDLER SHAFT	1			KPL.16S221*SG*L=102	0,000		
/120	0631.329.295		SLOTPIN	1			10X118	0,000		





Parts list

Page 1 from 1

Material number: 1367.002.030

16 S 2220 TO /

Plant: 161.06.04-1

Material-assembly-group-no: 1356.106.001



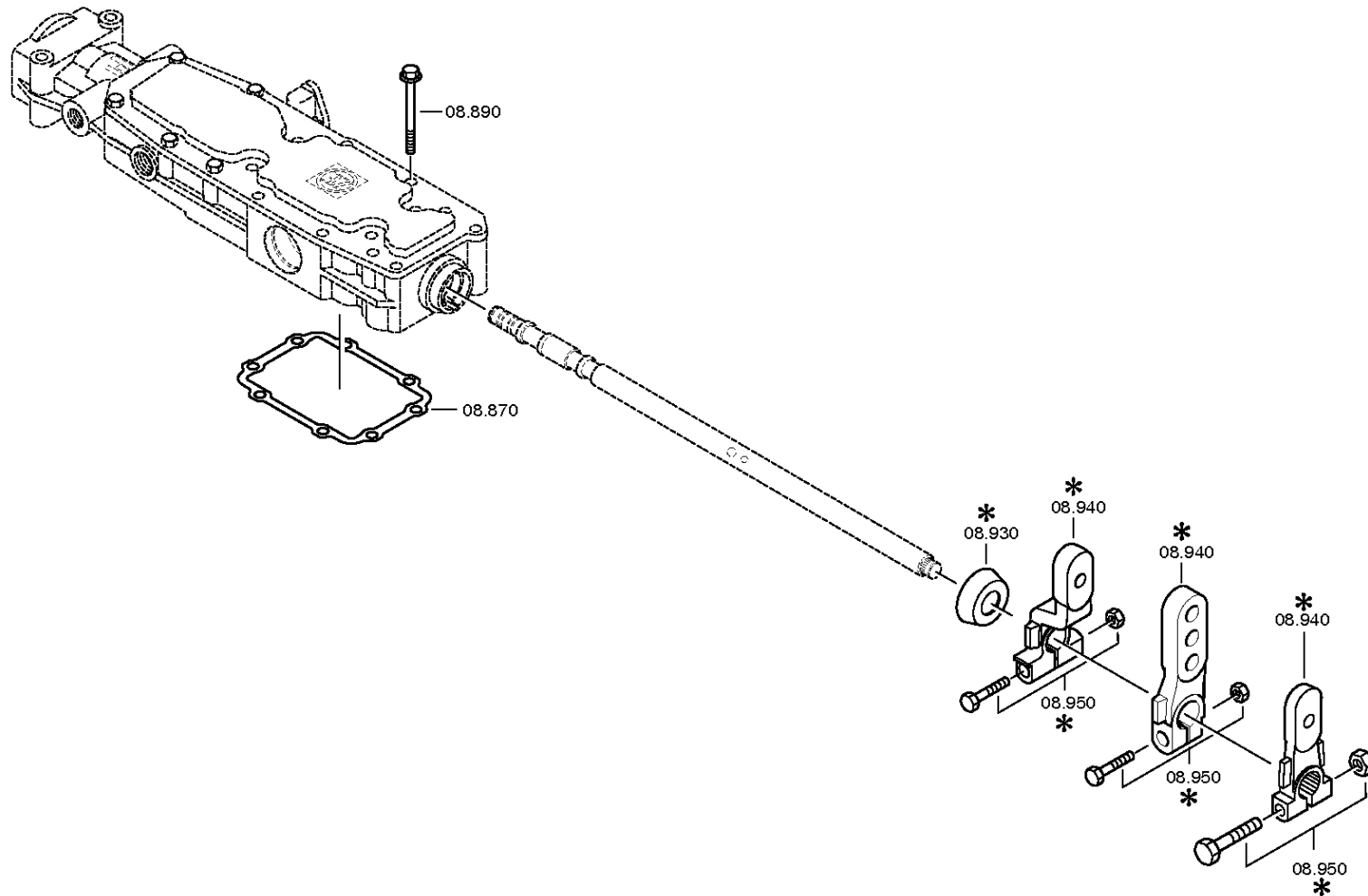
Pos.	Material number	Customer material	Name	Quantity	ME	Amend. no.	Techn. Info.	Weight	Rep kit	Alternative material
10	1356.206.004		GEAR SHIFT RAIL	1			LANG MIT GANGERKENNUNG DAF	0,000		
70	1316.306.015	5 5342 0	SLIDING PAD	1				0,000		
80	1316.306.015	5 5342 0	SLIDING PAD	1				0,000		
100	1356.206.002		GEAR SHIFT RAIL	1			KPL. *LANG	0,000		
120	1356.206.001		GEAR SHIFT RAIL	1			KPL. *LANG	0,000		
160	1316.306.015	5 5342 0	SLIDING PAD	1				0,000		
170	1316.306.015	5 5342 0	SLIDING PAD	1				0,000		
250	1313.306.013		LOCKING PIN	1				0,000		
260	0732.040.736	2150041300	COMPRSPRING	1				5,200		

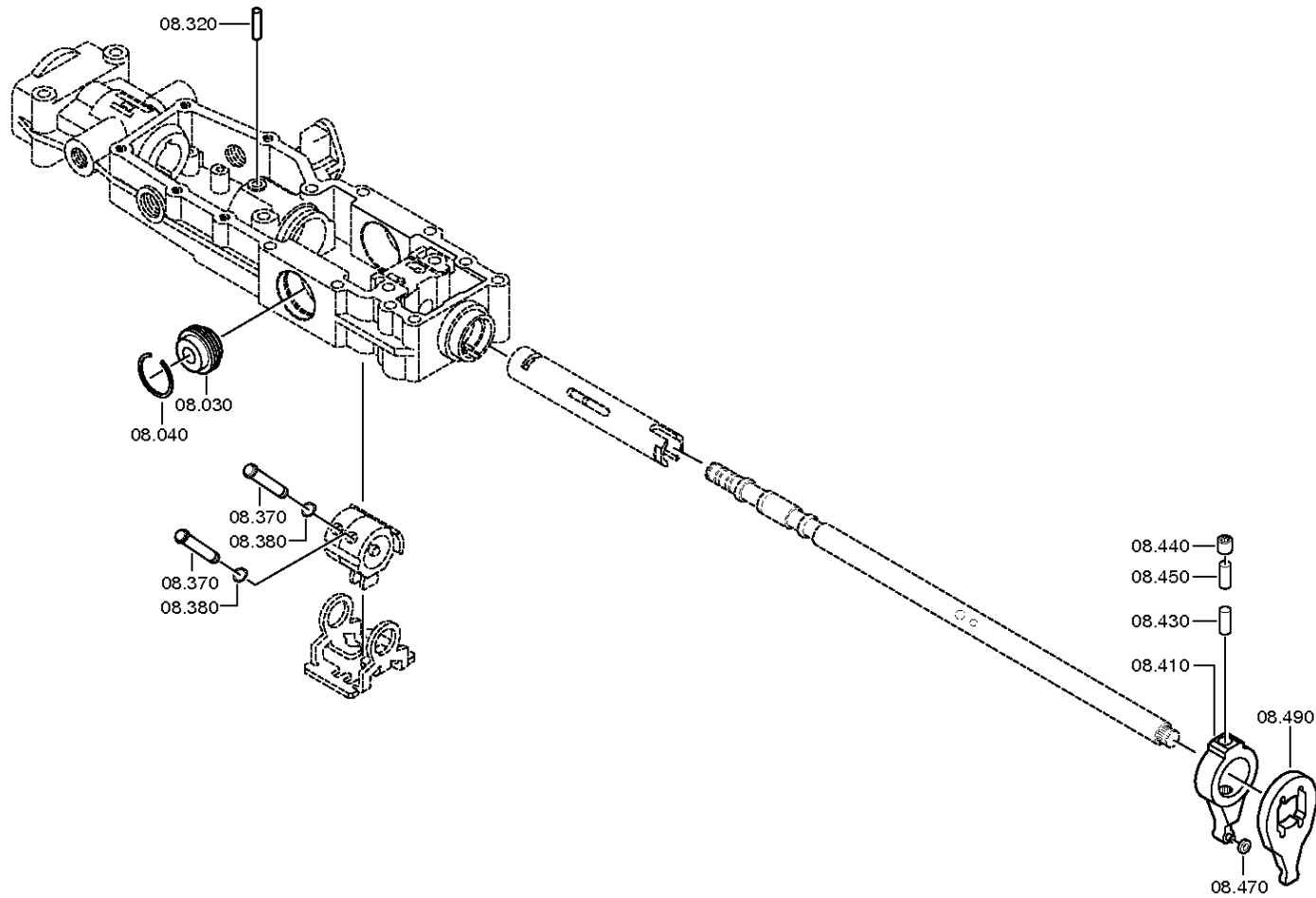
Plant

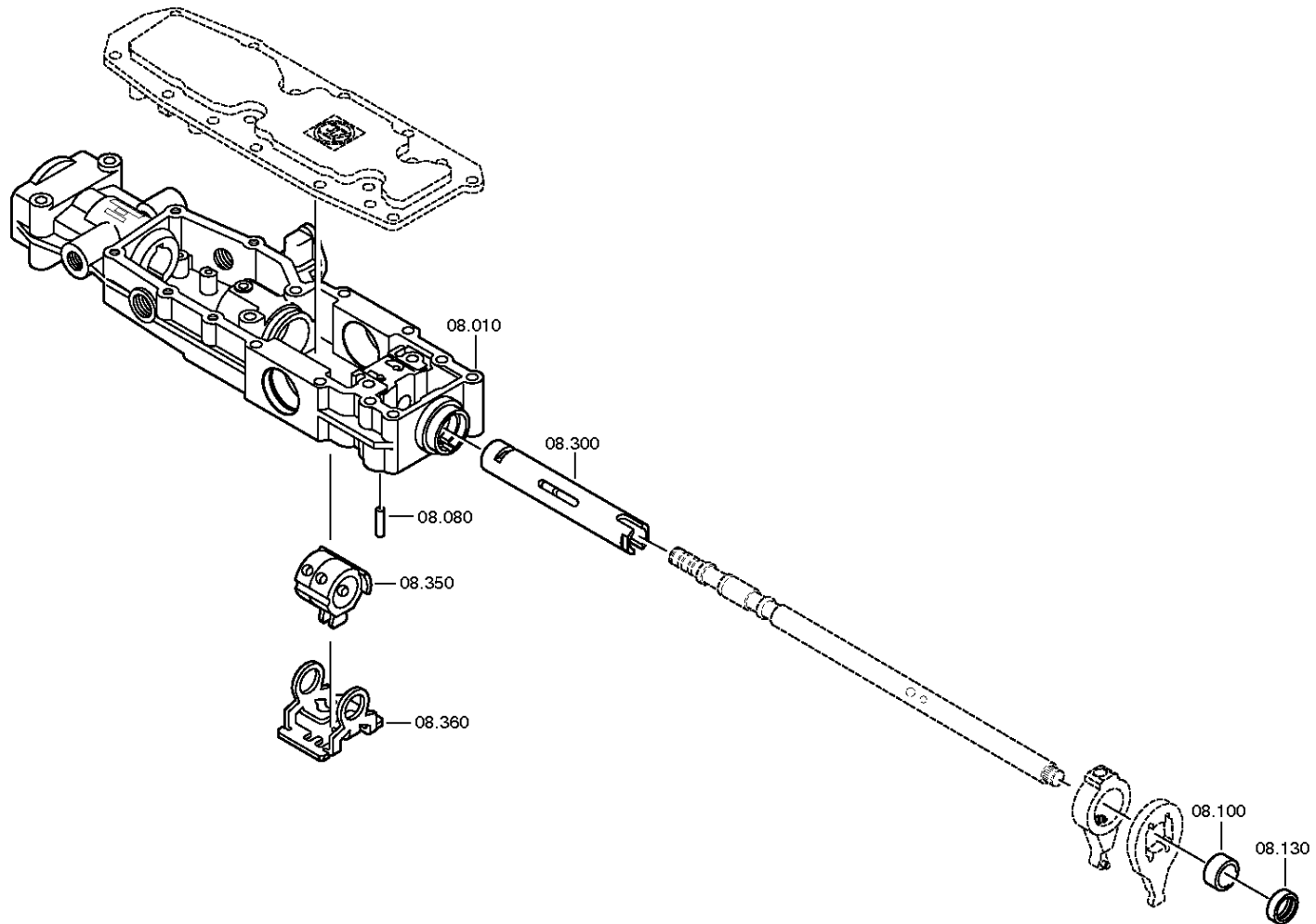
Page 1 from 5

Material number: 1367.002.030
Plant: 068.07.81-1
GEAR SHIFT SHAFT

16 S 2220 TO /
GEAR SHIFT HOUSING





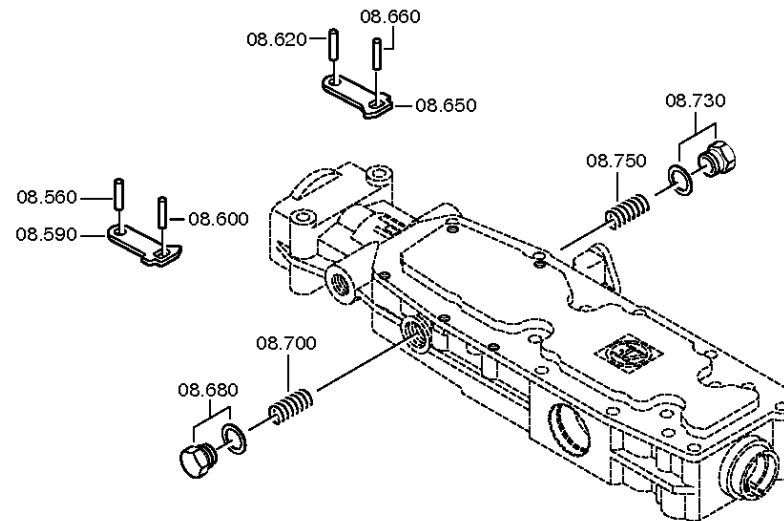


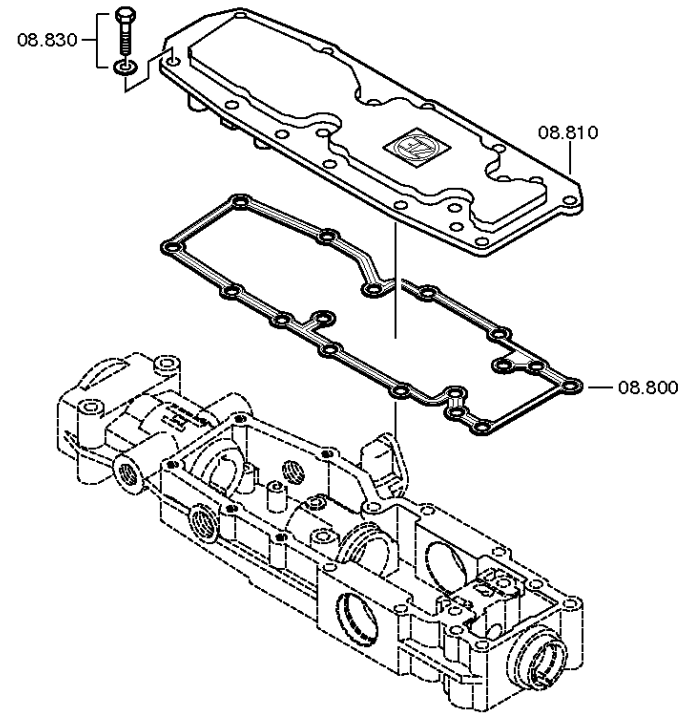
Plant

Page 4 from 5

Material number: 1367.002.030
Plant: 068.07.55-1
GEAR SHIFT SHAFT

16 S 2220 TO /
GEAR SHIFT HOUSING





Parts list

Page 1 from 2

Material number: 1367.002.030

16 S 2220 TO /

Plant: 068.07.81-1

Material-assembly-group-no: 1316.108.817



Pos.	Material number	Customer material	Name	Quantity	ME	Amend. no.	Techn. Info.	Weight	Rep kit	Alternative material
10	1315.307.383		GEAR SHIFT HOUSING	1				0,000		
30	0501.209.212	5 5247 0	DETENT	1			KPL.	0,000		
40	0630.532.130		V-RING	1				0,000		
80	0631.306.123	190003901424	CYLINDRICAL PIN	1			8X24	10		
100	0730.260.703		BUSH	1			A=13,70	0,000		
130	0734.309.765		SHAFT SEAL	1			28X42X11 FA.SKT	0,000		
300	1315.307.294		QUILL SHAFT	1			ENTHALT.IN 1315.307.293(1)	0,000		
320	0731.201.702		PIN	1				0,000		
350	1315.307.734	1882041	DRIVER	1		Z00011746810		0,000		
360	1315.307.218		LOCKING PIECE	1				0,000		
370	1316.208.003		PIN	2			KPL.	0,000		
380	0630.501.006	SA 8220-02230	RETAINING RING	2			10X1	0,410		
410	1316.208.002		VALVE LEVER	1			KPL.	0,000		
430	0731.201.732		PIN	1				0,000		
440	0635.303.019		NEEDLE BUSH	1			10X14X15	0,000		
450	0731.201.732		PIN	1				0,000		
470	1315.307.226	820-400-3340	ROLLER	1				0,000		
490	1315.307.292		LEVER	1				0,000		
560	0631.306.832		CYLINDRICAL PIN	1			6X20	0,000		
590	1315.307.203		DETENT LEVER	1				0,000		
600	0631.306.832		CYLINDRICAL PIN	1			6X20	0,000		
620	0631.306.832		CYLINDRICAL PIN	1			6X20	0,000		
650	1315.307.203		DETENT LEVER	1				0,000		
660	0631.306.832		CYLINDRICAL PIN	1			6X20	0,000		
680	---		SCREW	1		Z00010146310	M22X1,5	0,000		
---	1315.307.736		SCREW	1		Z00010146312	M22X1,5	0,000		
---	0730.009.515		SEALING RING	1		Z00010146312	A22X27	0,000		
700	0732.041.500		COMPRSPRING	1				0,000		
730	---		SCREW	1		Z00010146310	M22X1,5	0,000		
---	1315.307.736		SCREW	1		Z00010146312	M22X1,5	0,000		

Parts list

Page 2 from 2

Material number: 1367.002.030

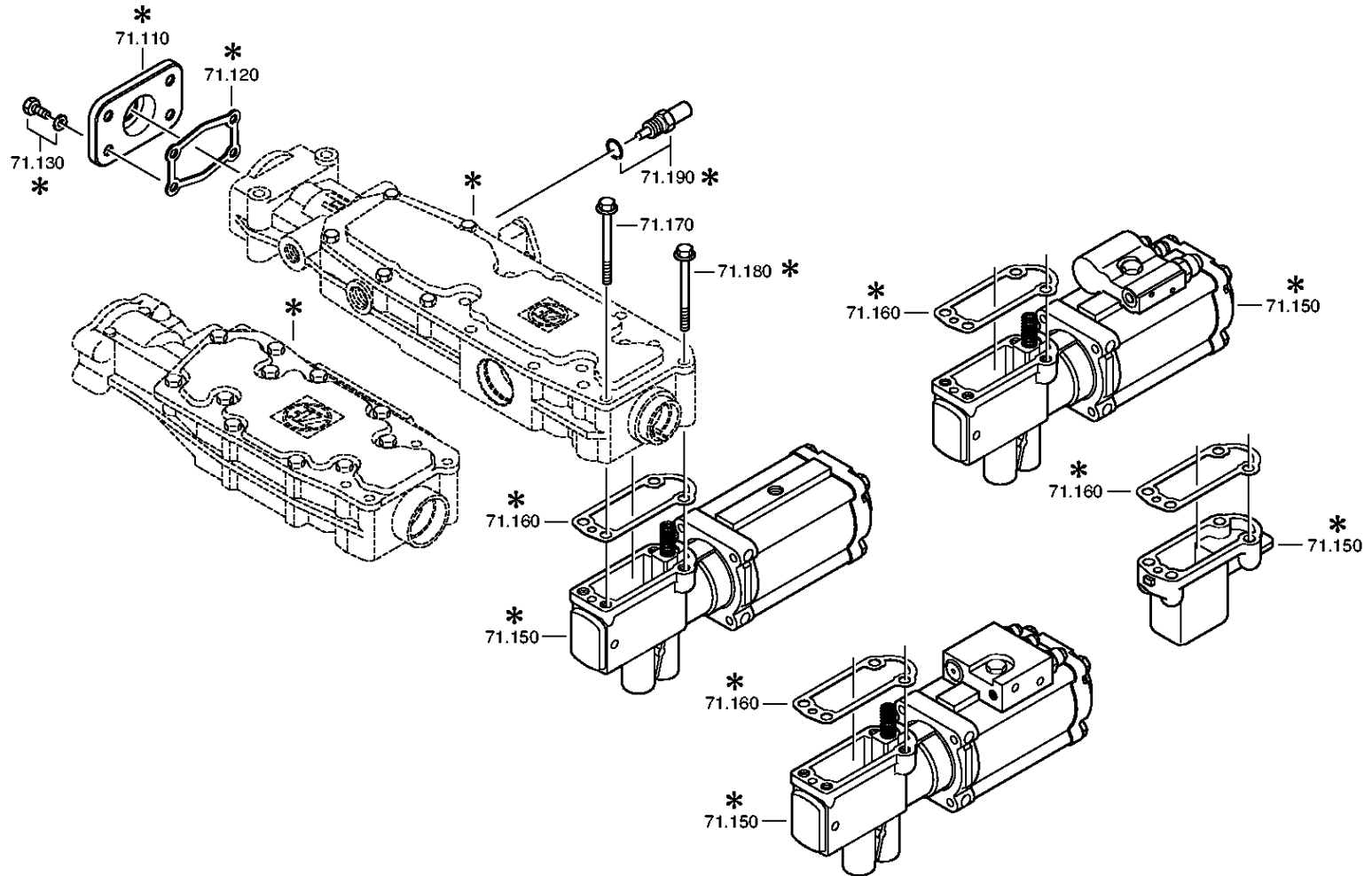
16 S 2220 TO /

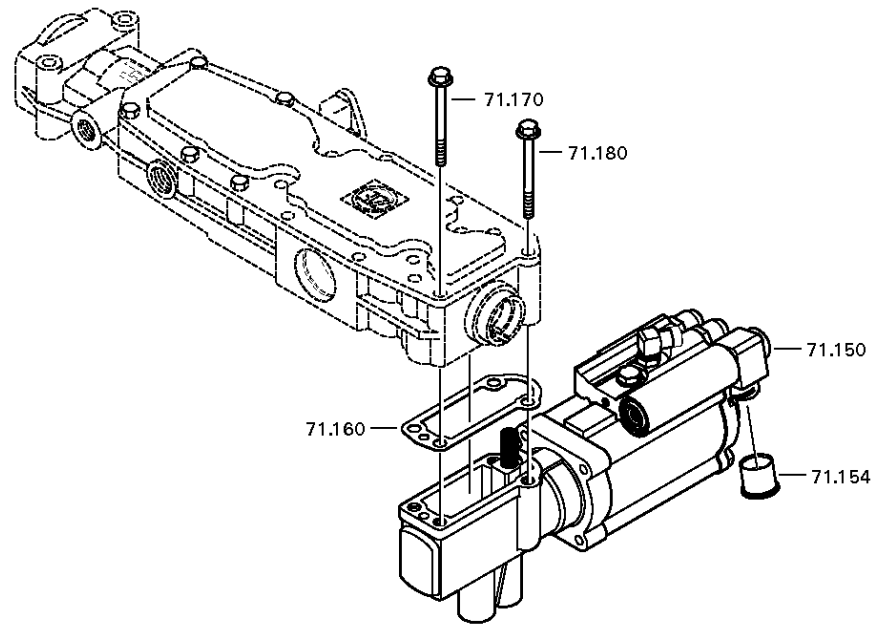
Plant: 068.07.81-1

Material-assembly-group-no: 1316.108.817



Pos.	Material number	Customer material	Name	Quantity	ME	Amend. no.	Techn. Info.	Weight	Rep kit	Alternative material
---	0730.009.515		SEALING RING	1		Z00010146312	A22X27	0,000		
750	0732.041.500		COMPRSPRING	1				0,000		
800	0501.324.072		GASKET	1		C01003353F10		0,000		
810	1315.307.286		COVER	1		C01000020A10		0,000		
830	---		HEXAGON BOLT	5			M8X25	0,000		
---	0636.016.401		HEXAGON BOLT	5			M8X25	0,000		
---	0630.100.295		WASHER	5		Z00007158414		0,000		
870	1315.307.013	133-138-1020	GASKET	1				0,000		
890	0736.300.137	1197869	HEXAGON BOLT	8		Z00009195410	M8X80 M8X80	0,000		
930	1341.307.104		PROTECTING CAP	1		C01007034F10		0,000		





Parts list

Page 1 from 1

Material number: 1367.002.030

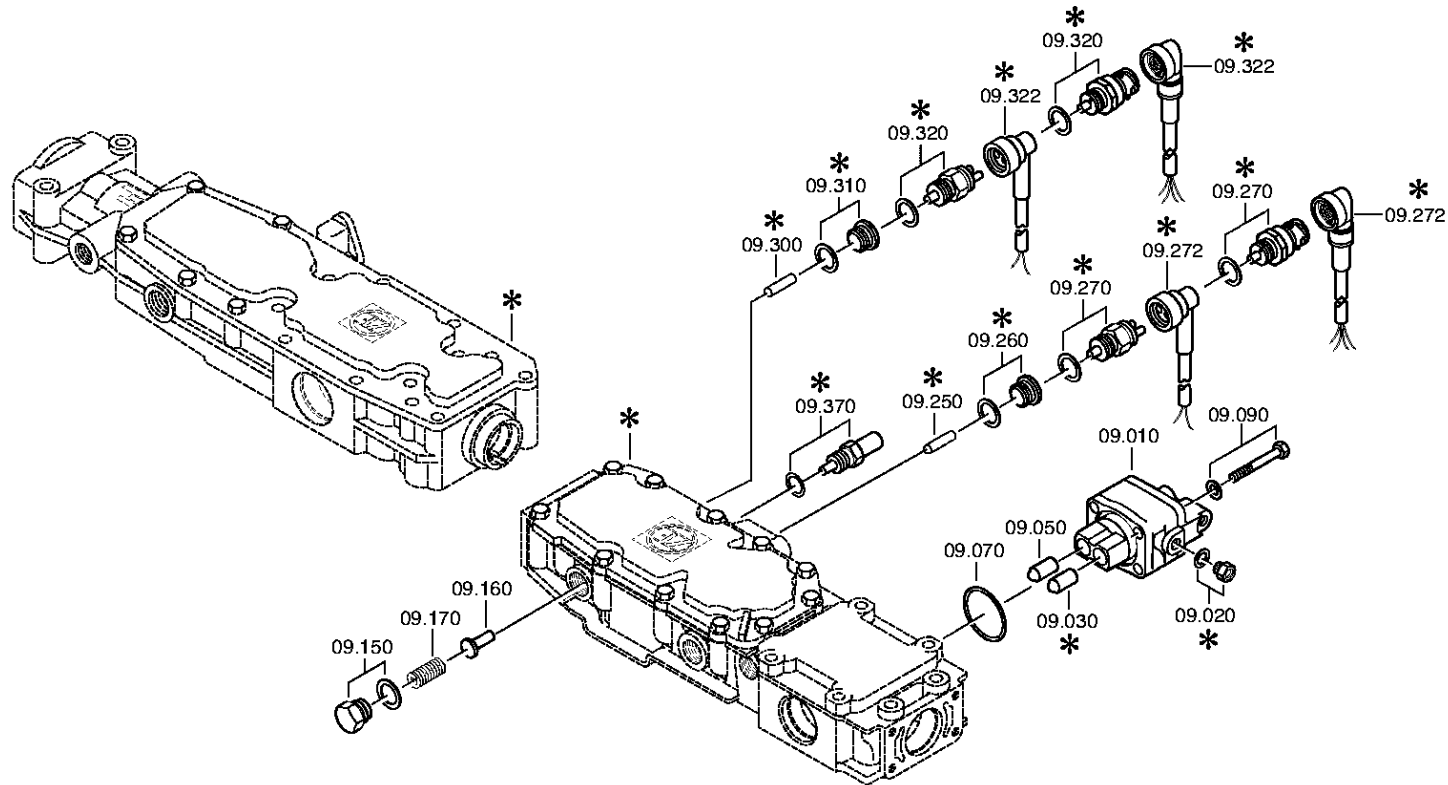
16 S 2220 TO /

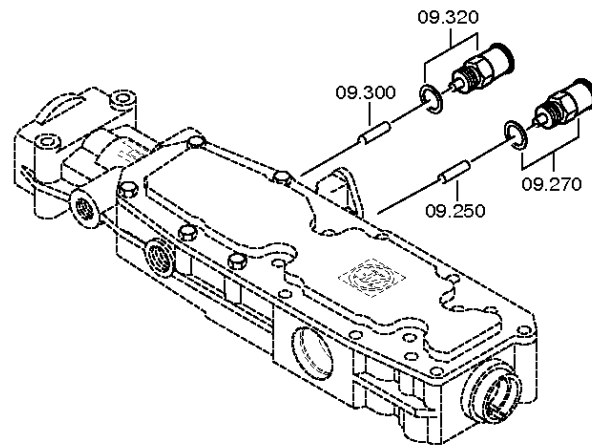
Plant: 062.08.30-1

Material-assembly-group-no: 1316.171.403



Pos.	Material number	Customer material	Name	Quantity	ME	Amend. no.	Techn. Info.	Weight	Rep kit	Alternative material
110	1341.307.113		COVER	1		Z00009271410		0,000		
130	---		HEXAGON BOLT	4		Z00007891111	M8X20	0,000		
---	0636.100.796		HEXAGON BOLT	4		Z00007891120	M8X20	0,000		
---	0630.100.295		WASHER	4		Z00007158414		0,000		
150	0501.217.407		PNEUMSERVUNIT	1		Z00004028014	KPL. PSE1 MIT EL. SAV6(GV-FREIGABE)	0,000		
160	1315.307.242		GASKET	1		Z00004028014		0,000		
170	0736.300.137	1197869	HEXAGON BOLT	2		Z00009195410	M8X80 M8X80	0,000		
180	---		HEXAGON BOLT	2		Z00009195410	M8X80	0,000		
---	0736.300.137	1197869	HEXAGON BOLT	2		Z00009195414	M8X80 M8X80	0,000		
---	0666.790.033		SEALCOMPOUND	2		Z00009195414		0,310		





Parts list

Page 1 from 1

Material number: 1367.002.030

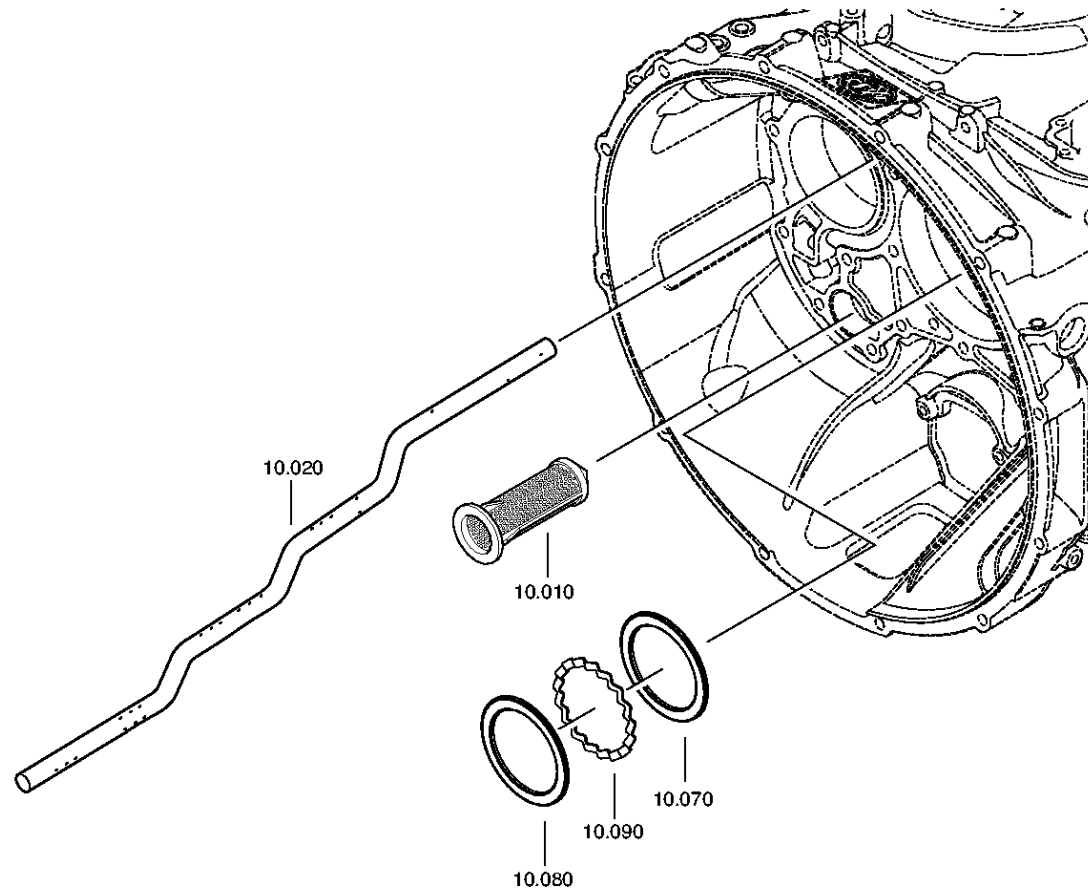
16 S 2220 TO /

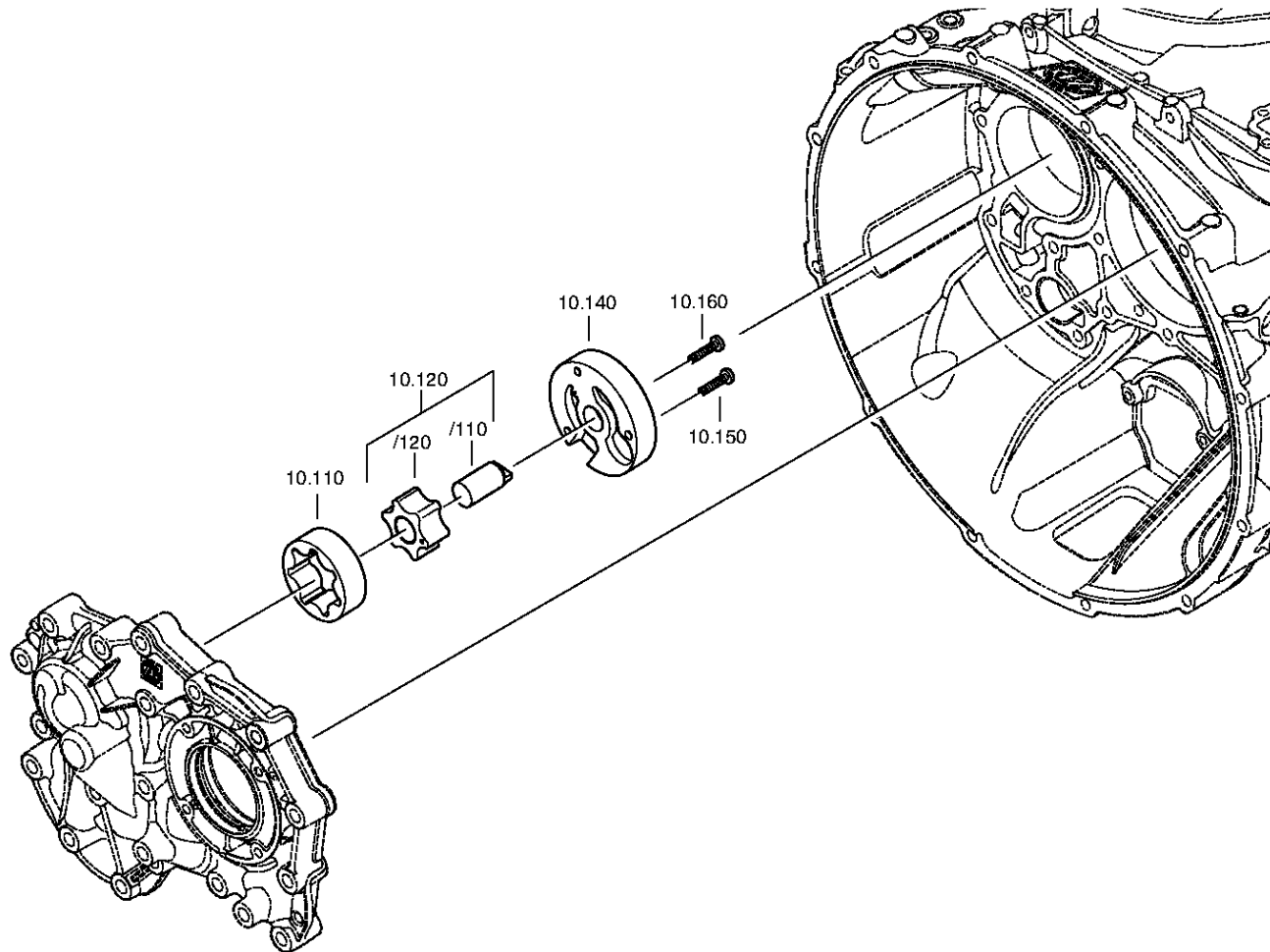
Plant: 068.09.01-1

Material-assembly-group-no: 1316.109.022



Pos.	Material number	Customer material	Name	Quantity	ME	Amend. no.	Techn. Info.	Weight	Rep kit	Alternative material
10	6038.202.043	5 6065 0	CUT-OFF VALVE	1		C01002143C10	KPL.H-H* ZULUFTDROSSEL 1,55	0,000		
30	0501.209.188	5 6102 0	BALL ROLLER	1			KPL.	0,000		
50	0501.209.188	5 6102 0	BALL ROLLER	1			KPL.	0,000		
70	0634.313.505		O-RING	1			42X3	0,000		
90	---		HEXAGON BOLT	4		Z00007054112	M8X65	0,000		
---	0636.100.519		HEXAGON BOLT	4		Z00007054110	M8X65	0,000		
---	0630.100.295		WASHER	4		Z00007158414		0,000		
150	---		SCREW	1		Z00010146310	M22X1,5	0,000		
---	1315.307.736		SCREW	1		Z00010146312	M22X1,5	0,000		
---	0730.009.515		SEALING RING	1		Z00010146312	A22X27	0,000		
160	1315.307.384		BOLT	1		C01003958B10	ENTHALT.IN 1250 307 589(2)	0,000		
170	0732.041.612		COMPRSPRING	1				0,000		
250	0731.201.446		PIN	1			ENTHALT.IN 0731 201 445(2)	0,000		
270	---		SWITCH	1			OEFF*45N.M* DICHTRING* BAJONETT* SCHUTZKAPPE	0,000		
---	0501.216.474		SWITCH	1				0,050		
---	0634.801.062		SEALING RING	1			18X24	0,001		
---	0700.300.427		PROTECTING CAP	1				0,005		
300	0731.208.230		PIN	1			A=30,0	0,000		
320	---		SWITCH	1			SCHL*45N.M* DICHTRING* BAJONETT* SCHUTZKAPPE	0,000		
---	0501.210.058	1864900531	SWITCH	1			KPL.	0,000		
---	0634.801.062		SEALING RING	1			18X24	0,001		
---	0700.300.427		PROTECTING CAP	1				0,005		





Parts list

Page 1 from 1

Material number: 1367.002.030

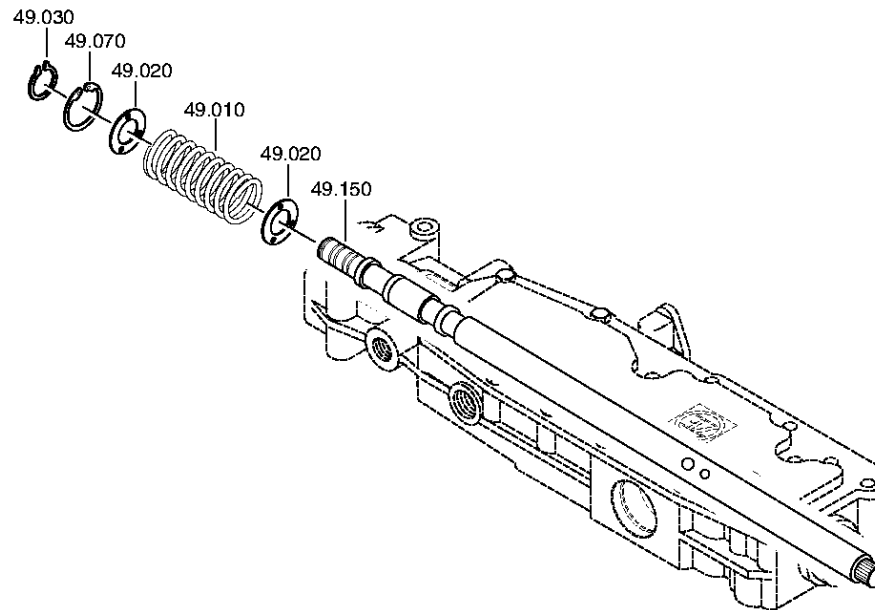
16 S 2220 TO /

Plant: 161.10.04-1

Material-assembly-group-no: 1356.110.002



Pos.	Material number	Customer material	Name	Quantity	ME	Amend. no.	Techn. Info.	Weight	Rep kit	Alternative material
10	0501.318.802	5718 742 08	SCREEN INSERT	1				0,000		
20	1356.301.001		OIL TUBE	1			ECO 4 16G LANG	0,000		
70	0730.300.745		WASHER	1			A=3,30 A=3,30	0,000		
80	0730.150.766		WASHER	1				0,000		
90	1315.302.040		SPACER RING	1				0,000		
110	1315.303.027	169-833-0010	ROTOR	1				0,000		
120	1314.202.039	169-831-0020	PUMP SHAFT	1			KPL.	0,000		
140	1325.303.017		PUMP COVER	1				0,000		
150	---		TORX SCREW	1			M6X30	0,000		
---	0736.101.076		TORX SCREW	1				8		
160	---		TORX SCREW	1			M6X30	0,000		
---	0736.101.076		TORX SCREW	1				8		



Parts list

Page 1 from 1

Material number: 1367.002.030

16 S 2220 TO /

Plant: 068.12.08-1

Material-assembly-group-no: 1316.149.422



Pos.	Material number	Customer material	Name	Quantity	ME	Amend. no.	Techn. Info.	Weight	Rep kit	Alternative material
10	0732.040.237	2150036500	COMPRSPRING	1				30		
20	0730.301.376	1884285	WASHER	2		Z00008917410		0,000		
30	0630.532.138	5004143	V-RING	1				0,000		
70	0630.502.022		RETAINING RING	1			40X1,75	4,800		
150	1315.307.327		GEAR SHIFT SHAFT	1			ENTHALT.IN 1315 307 296(1)	0,000		

Plant

Page 1 from 1

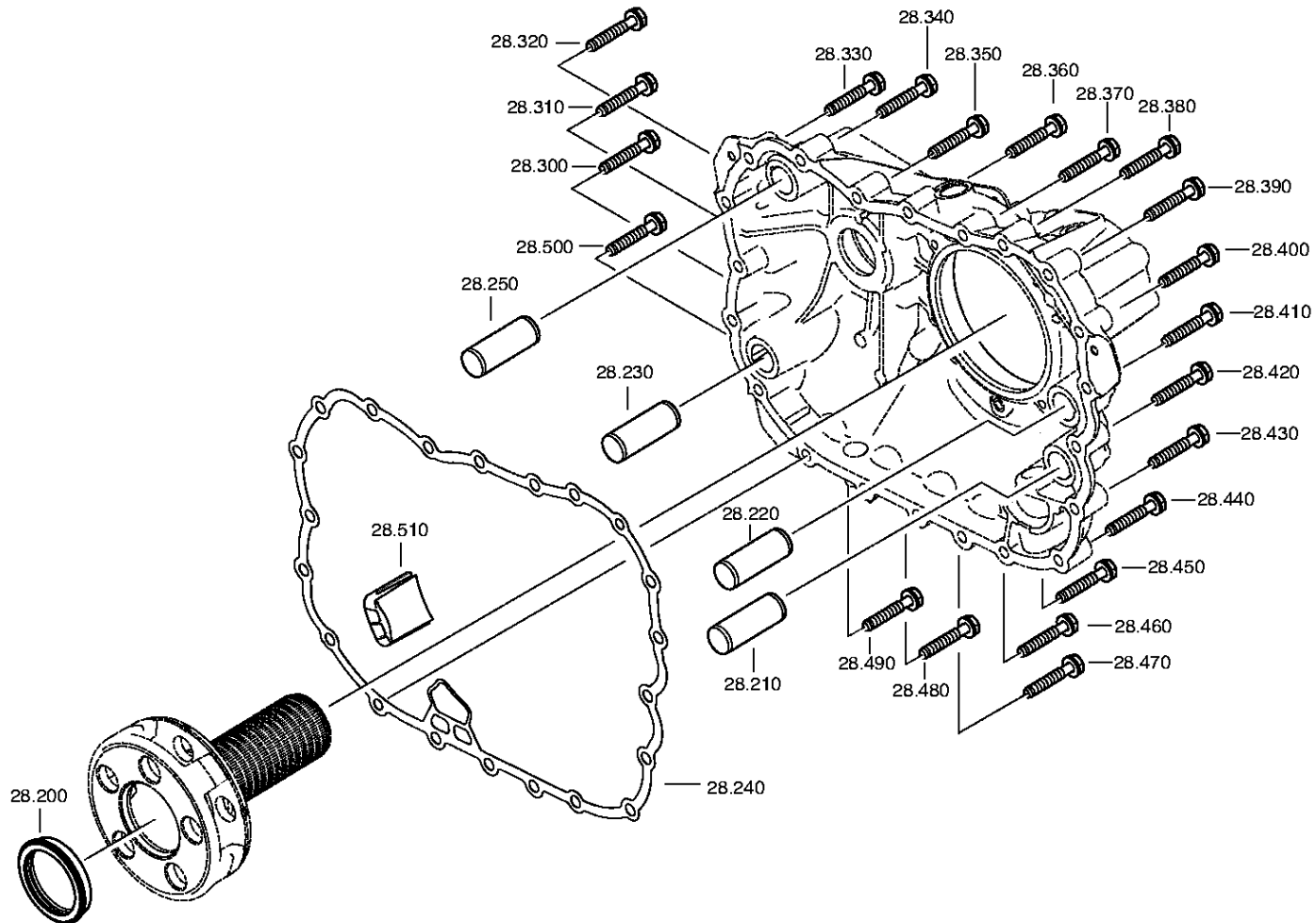
Material number: 1367.002.030

Plant: 161.28.02-1

Material-assembly-group-no: 1367.128.803

16 S 2220 TO /

PLANETARY RANGE



Parts list

Page 1 from 1

Material number: 1367.002.030

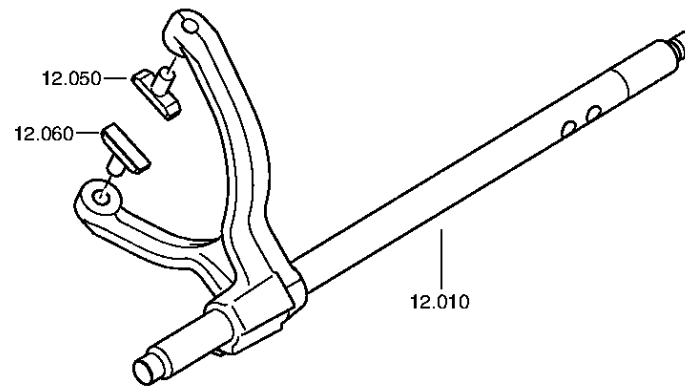
16 S 2220 TO /

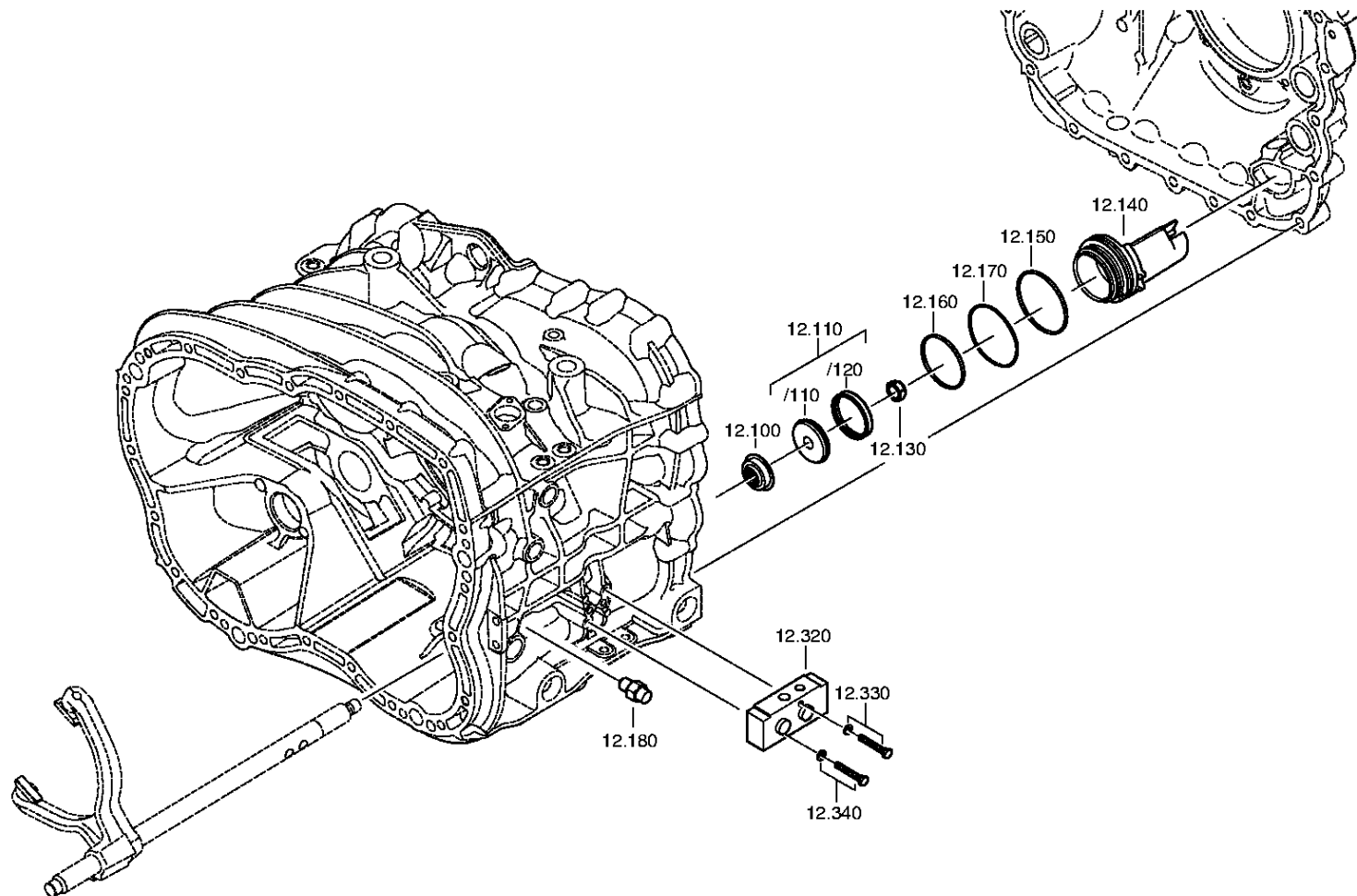
Plant: 161.28.02-1

Material-assembly-group-no: 1367.128.803



Pos.	Material number	Customer material	Name	Quantity	ME	Amend. no.	Techn. Info.	Weight	Rep kit	Alternative material
200	1316.332.109		PRESSURE DISC	1				0,000		
210	0731.300.002		CYLINDRICAL PIN	1				0,000		
220	0731.300.002		CYLINDRICAL PIN	1				0,000		
230	0731.300.002		CYLINDRICAL PIN	1				0,000		
240	0501.323.705		GASKET	1				0,000		
250	0731.300.002		CYLINDRICAL PIN	1				0,000		
300	0636.016.405		HEXAGON BOLT	1		Z00007060111	M10X60	0,000		
310	0636.016.405		HEXAGON BOLT	1		Z00007060111	M10X60	0,000		
320	0636.016.405		HEXAGON BOLT	1		Z00007060111	M10X60	0,000		
330	0636.016.405		HEXAGON BOLT	1		Z00007060111	M10X60	0,000		
340	0636.016.405		HEXAGON BOLT	1		Z00007060111	M10X60	0,000		
350	0636.016.405		HEXAGON BOLT	1		Z00007060111	M10X60	0,000		
360	0636.016.405		HEXAGON BOLT	1		Z00007060111	M10X60	0,000		
370	0636.016.405		HEXAGON BOLT	1		Z00007060111	M10X60	0,000		
380	0636.016.405		HEXAGON BOLT	1		Z00007060111	M10X60	0,000		
390	0636.016.405		HEXAGON BOLT	1		Z00007060111	M10X60	0,000		
400	0636.016.405		HEXAGON BOLT	1		Z00007060111	M10X60	0,000		
410	0636.016.405		HEXAGON BOLT	1		Z00007060111	M10X60	0,000		
420	0636.016.405		HEXAGON BOLT	1		Z00007060111	M10X60	0,000		
430	0636.016.405		HEXAGON BOLT	1		Z00007060111	M10X60	0,000		
440	0636.016.405		HEXAGON BOLT	1		Z00007060111	M10X60	0,000		
450	0636.016.405		HEXAGON BOLT	1		Z00007060111	M10X60	0,000		
460	0636.016.405		HEXAGON BOLT	1		Z00007060111	M10X60	0,000		
470	0636.016.405		HEXAGON BOLT	1		Z00007060111	M10X60	0,000		
480	0636.016.405		HEXAGON BOLT	1		Z00007060111	M10X60	0,000		
490	0636.016.405		HEXAGON BOLT	1		Z00007060111	M10X60	0,000		
500	0636.016.405		HEXAGON BOLT	1		Z00007060111	M10X60	0,000		





Parts list

Page 1 from 1

Material number: 1367.002.030

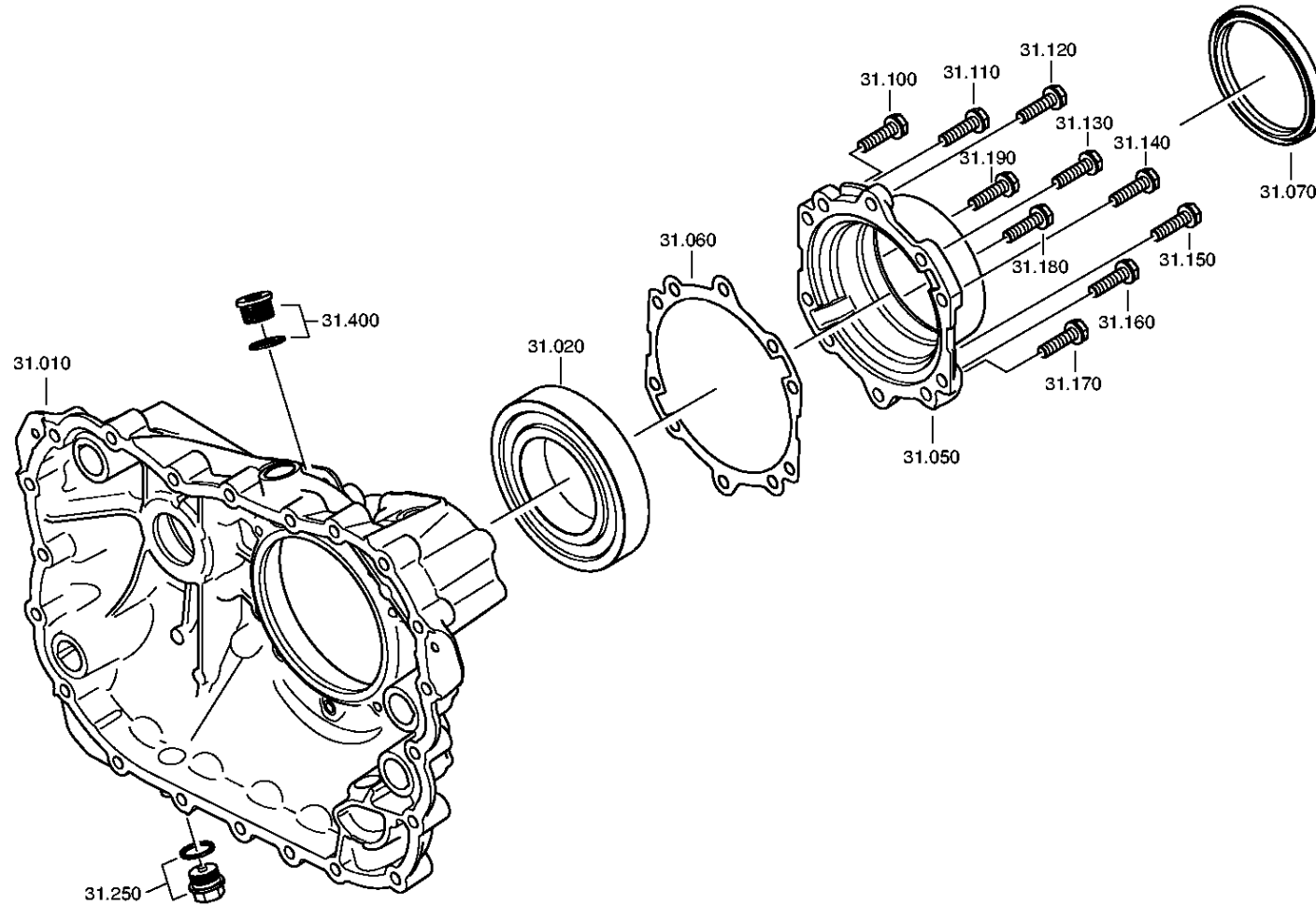
16 S 2220 TO /

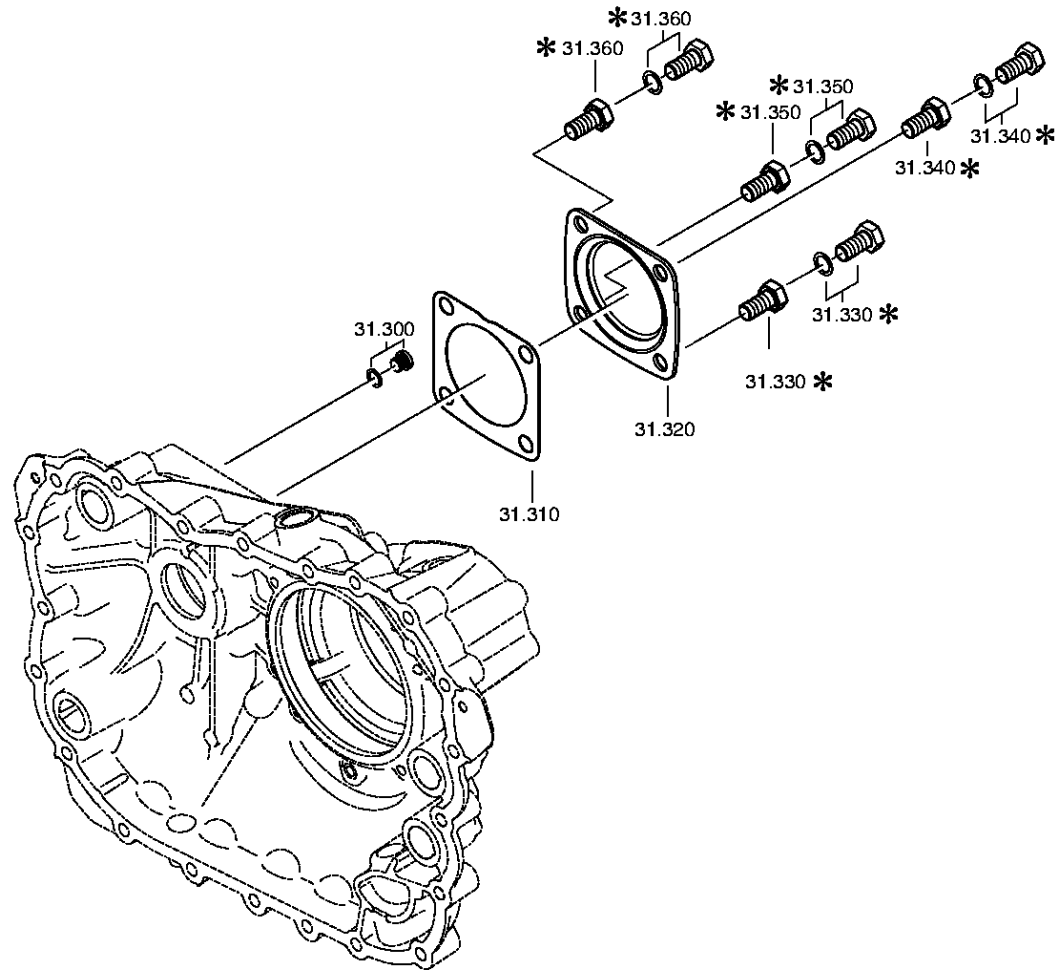
Plant: 161.40.01-1

Material-assembly-group-no: 1356.112.001



Pos.	Material number	Customer material	Name	Quantity	ME	Amend. no.	Techn. Info.	Weight	Rep kit	Alternative material
10	1356.212.002	1831972	GEAR SHIFT RAIL	1			KPL.GV*E32 LANG*16 GANG	0,000		
50	1316.306.015	5 5342 0	SLIDING PAD	1				0,000		
60	1316.306.015	5 5342 0	SLIDING PAD	1				0,000		
100	0750.112.131	820-400-2880	FLANGE PACKING	1		Z00003588010	25X40X15	0,000		
110	1315.212.008	1831971	PISTON	1			KPL.	0,000		
/110	---		PISTON	1			GV SINTER/STAHL	0,000		
---	1315.312.020		PISTON	1			GV	0,000		
---	1315.312.003		PISTON	1			GV	0,000		
/120	0750.112.177	172-255-1720	DOUBLE U-PACKING	1			55X63X9,4	0,000		
130	0737.300.037		LOCKING NUT	1		Z00008929010	MS16X1,5	0,000		
140	1325.312.012		CYLINDER	1				0,000		
150	0634.313.018		O-RING	1			82X3	0,000		
160	0634.313.320	820-400-2910	O-RING	1			67X3	0,003		
170	1315.312.034		SPRING	1				0,000		
180	---		DETENT PLUNGER	1			235N*50N.M	0,000		
---	1324.207.033	1878700	DETENT PLUNGER	1			KPL. *235 N	0,000		
---	0730.008.604		SEALING RING	1		C01009860C10		0,000		
300	0637.510.665		PLUG	1			M10X1	0,000		
320	0501.219.309		5/2 WAY VALVE	1		Z00015060510		0,000		
330	0636.100.468		COMBISCREW	1		Z00011778410	M6X40	0,000		
340	0636.100.468		COMBISCREW	1		Z00011778410	M6X40	0,000		





Parts list

Page 1 from 2

Material number: 1367.002.030

16 S 2220 TO /

Plant: 161.43.03-1

Material-assembly-group-no: 1325.131.012



Pos.	Material number	Customer material	Name	Quantity	ME	Amend. no.	Techn. Info.	Weight	Rep kit	Alternative material
10	1325.301.065		GEARBOX HOUSING	1				0,000		
20	0750.116.394	5 8092 0	BALL BEARING	1				0,000		
50	1325.331.001		COVER	1				0,000		
60	0501.324.362	1831963	GASKET	1				0,000		
70	---		SHAFT SEAL	1			105X125X12,0/9,5	0,000		
---	0734.319.459	8 8309 0	SHAFT SEAL	1			105X125X12/9,5 FA.CFW	0,000		
---	0750.199.019		GREASE	1			KLASSE A	0,000		
100	0636.100.433		HEXAGON BOLT	1		Z00009178010	M10X40	0,000		
110	0636.100.433		HEXAGON BOLT	1		Z00009178010	M10X40	0,000		
120	0636.100.433		HEXAGON BOLT	1		Z00009178010	M10X40	0,000		
130	0636.100.433		HEXAGON BOLT	1		Z00009178010	M10X40	0,000		
140	0636.100.433		HEXAGON BOLT	1		Z00009178010	M10X40	0,000		
150	0636.100.433		HEXAGON BOLT	1		Z00009178010	M10X40	0,000		
160	0636.100.433		HEXAGON BOLT	1		Z00009178010	M10X40	0,000		
170	0636.100.433		HEXAGON BOLT	1		Z00009178010	M10X40	0,000		
180	0636.100.433		HEXAGON BOLT	1		Z00009178010	M10X40	0,000		
190	0636.100.433		HEXAGON BOLT	1		Z00009178010	M10X40	0,000		
250	---		SCREW PLUG	1		Z00010176111	M24X1,5	0,000		
---	0736.300.160	4471982.1	SCREW PLUG	1		Z00010176110	M24X1,5 M24X1,5	0,000		
---	0730.008.637		SEALING RING	1		Z00010176110	A24X29	0,000		
300	---		SCREW PLUG	1		C01004359F10	15N.M*DICHTRING M10X1	0,000		
---	0636.100.793		SCREW PLUG	1		Z00010111613	M10X1	0,000		
---	0730.008.055		SEALING RING	1			A10X14	0,000		
310	1238.308.201	5006880	GASKET	1			ENTHALT.IN 1238 308 202(2)	0,000		
320	1328.301.170	1878388	COVER	1		Z00008068010		0,000		
330	0636.016.406		HEXAGON BOLT	1		Z00007061014	M12X25	0,000		
340	0636.016.406		HEXAGON BOLT	1		Z00007061014	M12X25	0,000		
350	0636.016.406		HEXAGON BOLT	1		Z00007061014	M12X25	0,000		

Parts list

Page 2 from 2

Material number: 1367.002.030

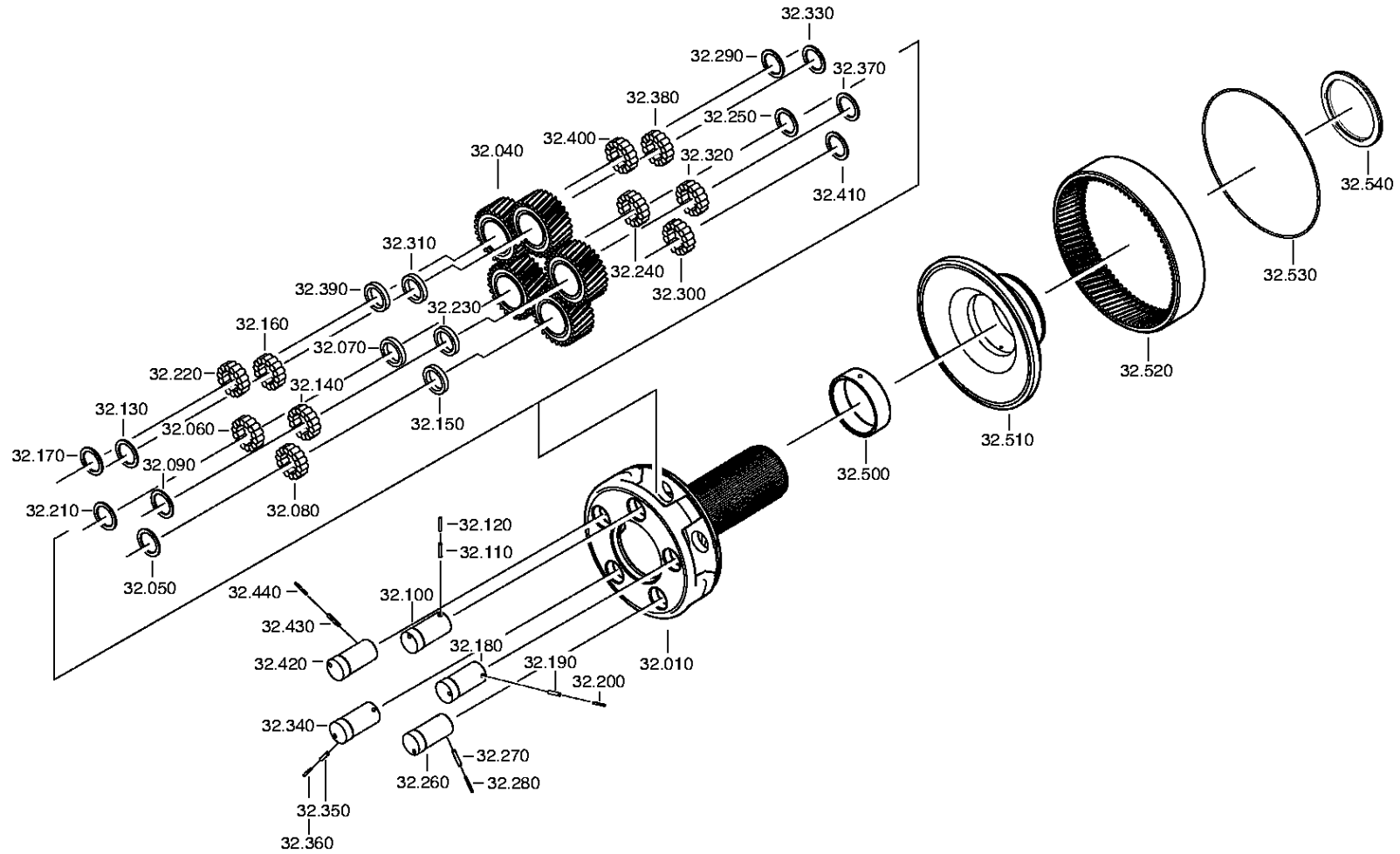
16 S 2220 TO /

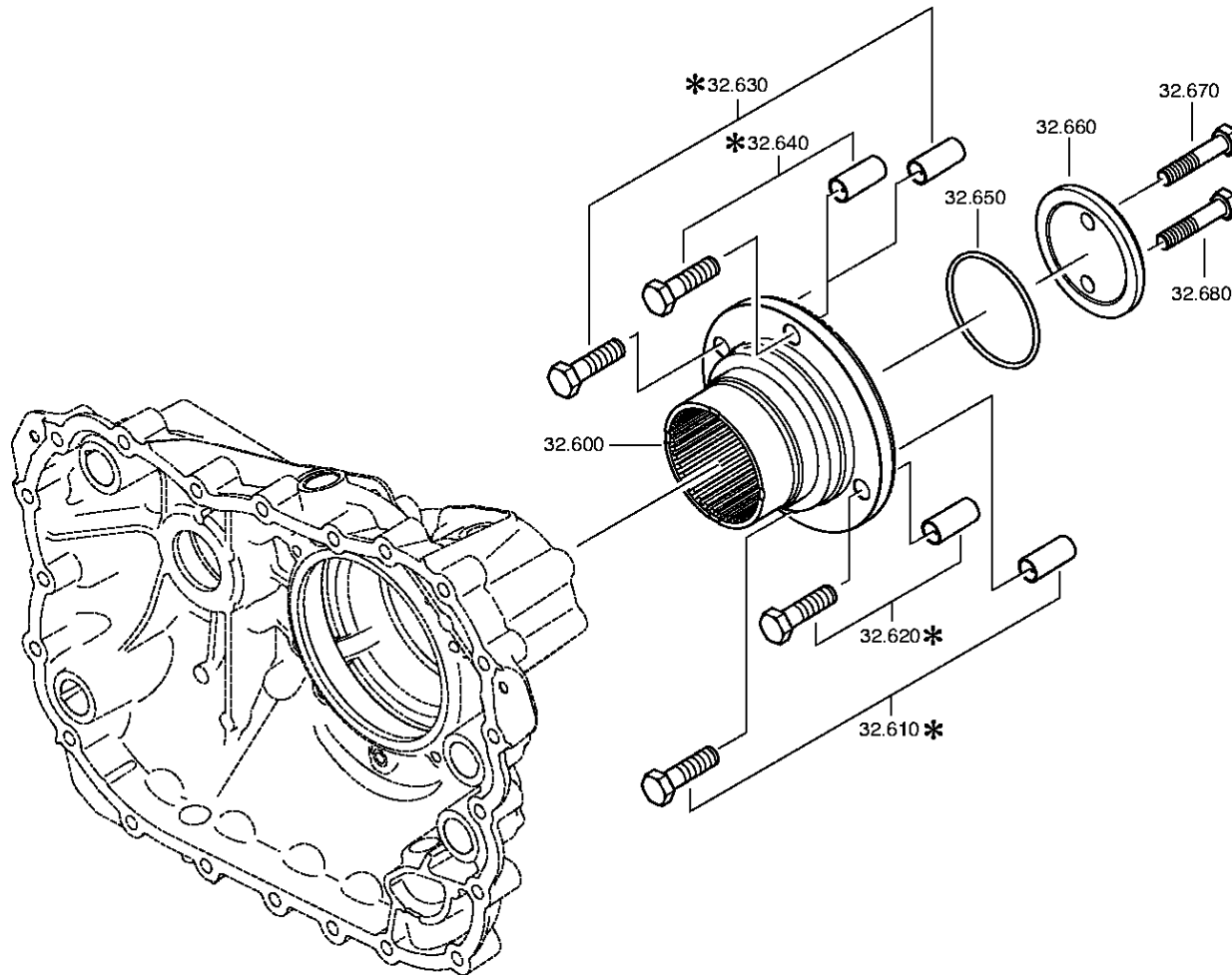
Plant: 161.43.03-1

Material-assembly-group-no: 1325.131.012



Pos.	Material number	Customer material	Name	Quantity	ME	Amend. no.	Techn. Info.	Weight	Rep kit	Alternative material
360	0636.016.406		HEXAGON BOLT	1		Z00007061014	M12X25	0,000		
400	---		SCREW PLUG	1		Z00010111513	35N.M*DICHTRING M18X1,5	0,000		
---	0636.100.791		SCREW PLUG	1		Z00010111521	M18X1,5	0,000		
---	0634.801.062		SEALING RING	1		Z00010111521	18X24	0,001		





Parts list

Page 1 from 3

Material number: 1367.002.030

16 S 2220 TO /

Plant: 161.44.01-1

Material-assembly-group-no: 1354.132.002



Pos.	Material number	Customer material	Name	Quantity	ME	Amend. no.	Techn. Info.	Weight	Rep kit	Alternative material
10	1315.232.027		PLANET CARRIER	1		Z00014438011		0,000		
40	1315.232.010	5 5353 0	PLANET GEAR SET	1			KPL.	0,000		
50	0730.107.168		INTERMWASHER	1			A=1,00 IN 0730 105 951(2)	0,000		
60	1325.232.001		ROLLER	1			KPL.SATZ* PLANETENRAD	0,000		
70	0730.107.168		INTERMWASHER	1			A=1,00 IN 0730 105 951(2)	0,000		
80	1325.232.001		ROLLER	1			KPL.SATZ* PLANETENRAD	0,000		
90	0730.107.168		INTERMWASHER	1			A=1,00 IN 0730 105 951(2)	0,000		
100	1315.332.091		PLANET SHAFT	1		Z00014438011		0,000		
110	0631.329.147		SLOTPIN	1		Z00014438011	6X26	0,000		
120	0631.329.261		SLOTPIN	1		Z00014438011	3,5X26	0,000		
130	0730.107.168		INTERMWASHER	1			A=1,00 IN 0730 105 951(2)	0,000		
140	1325.232.001		ROLLER	1			KPL.SATZ* PLANETENRAD	0,000		
150	0730.107.168		INTERMWASHER	1			A=1,00 IN 0730 105 951(2)	0,000		
160	1325.232.001		ROLLER	1			KPL.SATZ* PLANETENRAD	0,000		
170	0730.107.168		INTERMWASHER	1			A=1,00 IN 0730 105 951(2)	0,000		
180	1315.332.091		PLANET SHAFT	1		Z00014438011		0,000		
190	0631.329.147		SLOTPIN	1		Z00014438011	6X26	0,000		
200	0631.329.261		SLOTPIN	1		Z00014438011	3,5X26	0,000		
210	0730.107.168		INTERMWASHER	1			A=1,00 IN 0730 105 951(2)	0,000		
220	1325.232.001		ROLLER	1			KPL.SATZ* PLANETENRAD	0,000		

Parts list

Page 2 from 3

Material number: 1367.002.030

16 S 2220 TO /

Plant: 161.44.01-1

Material-assembly-group-no: 1354.132.002



Pos.	Material number	Customer material	Name	Quantity	ME	Amend. no.	Techn. Info.	Weight	Rep kit	Alternative material
230	0730.107.168		INTERMWASHER	1			A=1,00 IN 0730 105 951(2)	0,000		
240	1325.232.001		ROLLER	1			KPL.SATZ* PLANETENRAD	0,000		
250	0730.107.168		INTERMWASHER	1			A=1,00 IN 0730 105 951(2)	0,000		
260	1315.332.091		PLANET SHAFT	1		Z00014438011		0,000		
270	0631.329.147		SLOTPIN	1		Z00014438011	6X26	0,000		
280	0631.329.261		SLOTPIN	1		Z00014438011	3,5X26	0,000		
290	0730.107.168		INTERMWASHER	1			A=1,00 IN 0730 105 951(2)	0,000		
300	1325.232.001		ROLLER	1			KPL.SATZ* PLANETENRAD	0,000		
310	0730.107.168		INTERMWASHER	1			A=1,00 IN 0730 105 951(2)	0,000		
320	1325.232.001		ROLLER	1			KPL.SATZ* PLANETENRAD	0,000		
330	0730.107.168		INTERMWASHER	1			A=1,00 IN 0730 105 951(2)	0,000		
340	1315.332.091		PLANET SHAFT	1		Z00014438011		0,000		
350	0631.329.147		SLOTPIN	1		Z00014438011	6X26	0,000		
360	0631.329.261		SLOTPIN	1		Z00014438011	3,5X26	0,000		
370	0730.107.168		INTERMWASHER	1			A=1,00 IN 0730 105 951(2)	0,000		
380	1325.232.001		ROLLER	1			KPL.SATZ* PLANETENRAD	0,000		
390	0730.107.168		INTERMWASHER	1			A=1,00 IN 0730 105 951(2)	0,000		
400	1325.232.001		ROLLER	1			KPL.SATZ* PLANETENRAD	0,000		
410	0730.107.168		INTERMWASHER	1			A=1,00 IN 0730 105 951(2)	0,000		

Parts list

Page 3 from 3

Material number: 1367.002.030

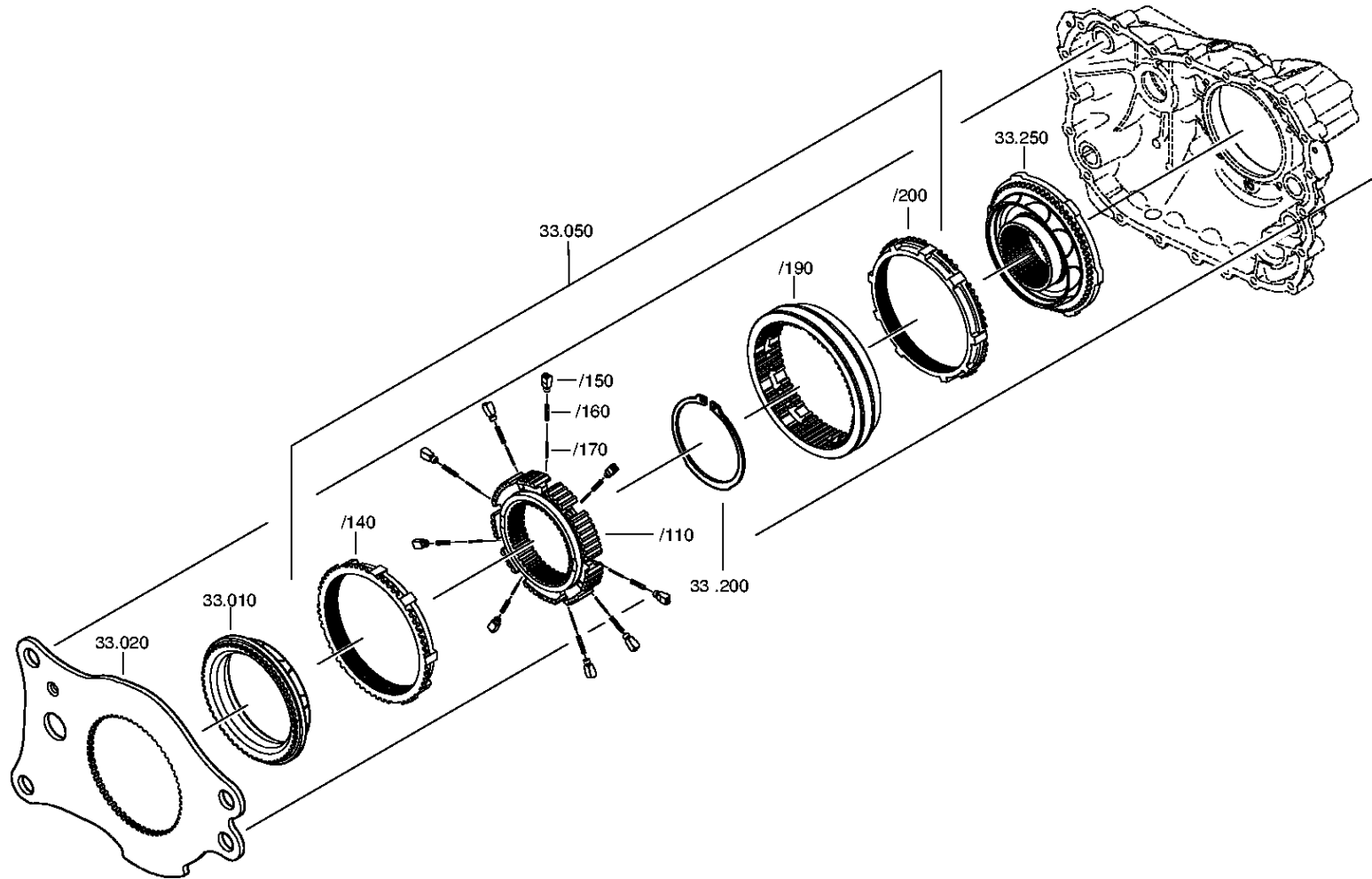
16 S 2220 TO /

Plant: 161.44.01-1

Material-assembly-group-no: 1354.132.002



Pos.	Material number	Customer material	Name	Quantity	ME	Amend. no.	Techn. Info.	Weight	Rep kit	Alternative material
420	1315.332.091		PLANET SHAFT	1		Z00014438011		0,000		
430	0631.329.147		SLOTPIN	1		Z00014438011	6X26	0,000		
440	0631.329.261		SLOTPIN	1		Z00014438011	3,5X26	0,000		
500	1325.332.011		BUSH	1				0,000		
510	1316.332.130		RING GEAR CARRIER	1				0,000		
520	1315.332.041	5 5867 0	RING GEAR	1			IN 1316 332 055(1)	0,000		
530	0730.513.583		LOCKING WIRE	1			A=3,20 IN 0730 505 052(2)	0,000		
540	0735.298.169	820-400-3080	AXIAL NEEDLE BEARING	1			104,5X128,4X10,0 FA.INA	0,000		
600	1325.332.026		OUTPUT FLANGE	1			KORR.GESCH. ZINI-P* STANDARD	0,000		
650	0634.313.805		O-RING	1			82X4	0,000		
660	1312.332.028		WASHER	1				0,000		
670	0636.011.777		HEXAGON BOLT	1		Z00007292012	M12X60	0,000		
680	0636.011.777		HEXAGON BOLT	1		Z00007292012	M12X60	0,000		



Parts list

Page 1 from 1

Material number: 1367.002.030

16 S 2220 TO /

Plant: 161.45.01-1

Material-assembly-group-no: 1325.133.004



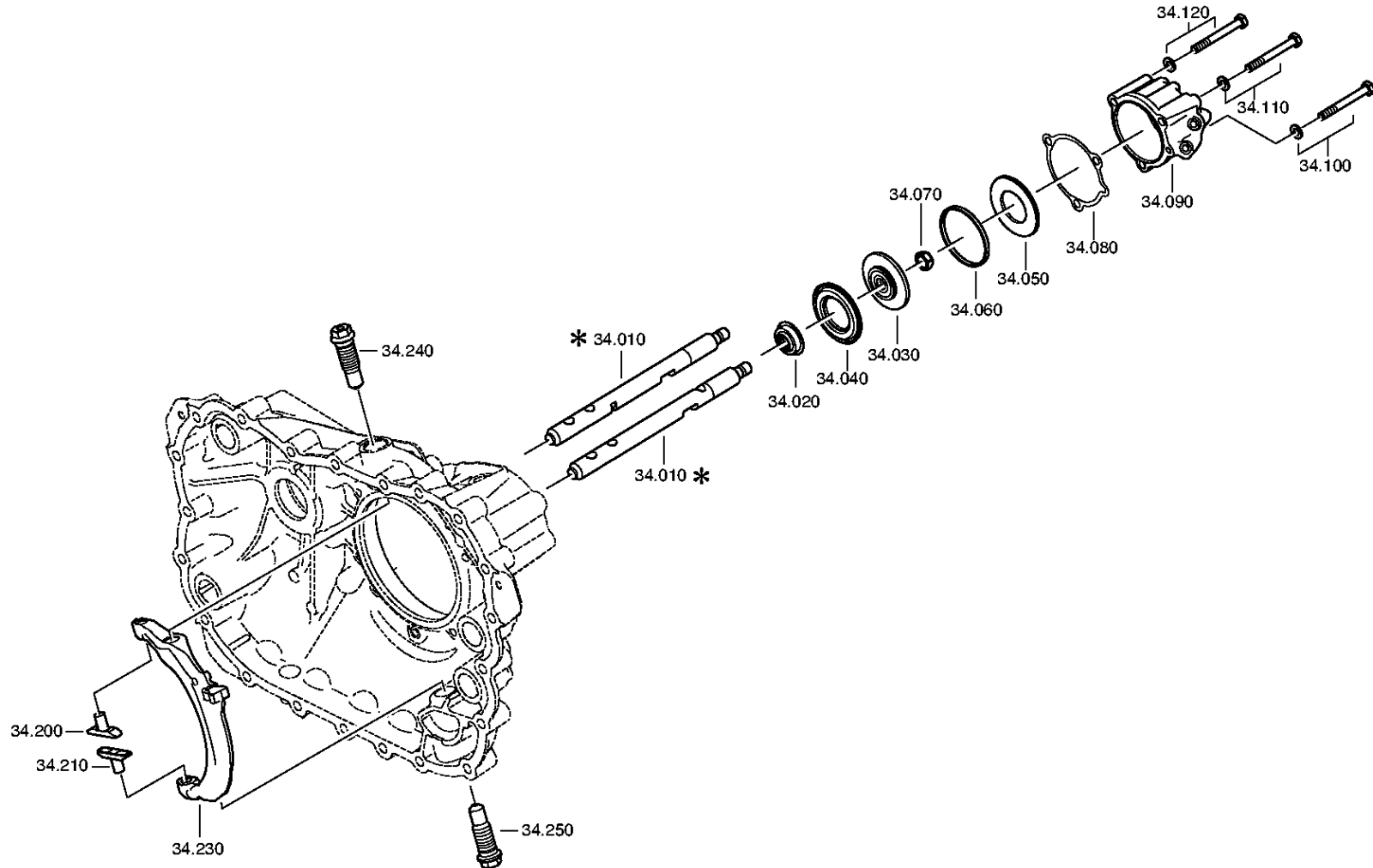
Pos.	Material number	Customer material	Name	Quantity	ME	Amend. no.	Techn. Info.	Weight	Rep kit	Alternative material
10	1296.333.050	5 5302 0	CLUTCH BODY	1			ENTHALT.IN 1296.333.053(1)	0,000		
20	1325.333.016		PLATE	1				0,000		
50	1325.233.008		SYNCHRONIZER	1			KPL.GP*DRUCKGUSS	0,000		
/110	1313.333.001		SYNCHROBODY	1			ENTHALT.IN 1296 333 014(1)	0,000		
/140	1296.333.045	5 5301 0	SYNCHRORING	1				0,000		
/150	1240.304.278	1334510410	PRESSURE PIECE	9				0,000		
/160	0732.040.385	0971040080	COMPRSPRING	9				0,000		
/170	0732.040.386	097102000	COMPRSPRING	9				0,000		
/190	1325.333.018		SLIDING SLEEVE	1				0,000		
/200	1296.333.045	5 5301 0	SYNCHRORING	1				0,000		
200	0630.501.175	0692274	RETAINING RING	1			125X3,7	0,000		
250	1325.233.007		CLUTCH BODY	1			KPL.	0,000		

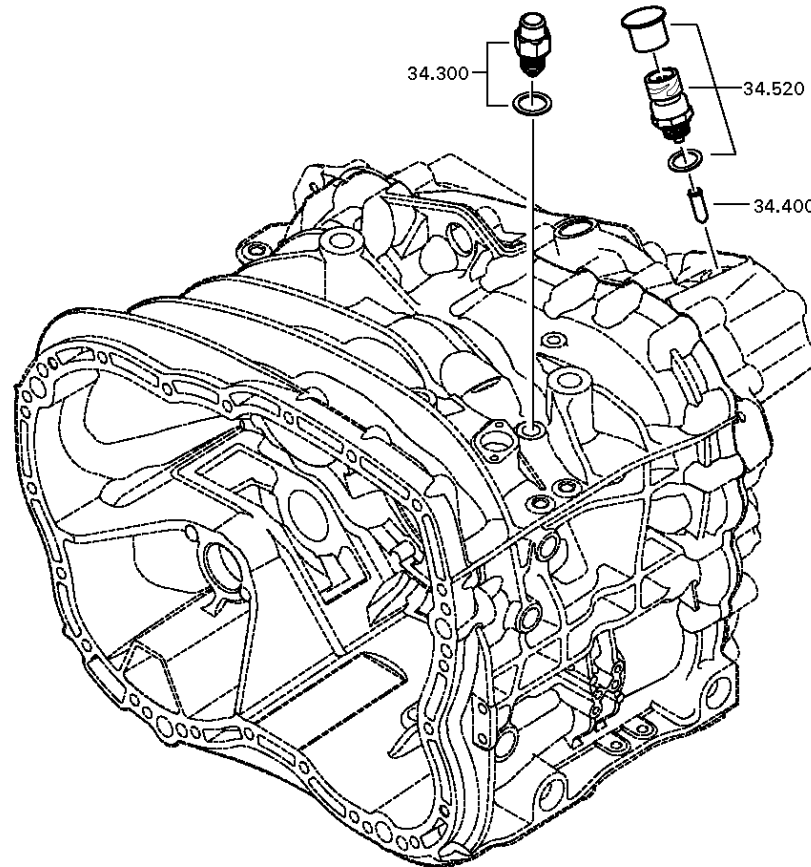
Plant

Page 1 from 2

Material number: 1367.002.030
Plant: 161.46.01-1
GP SHIFT SYSTEM

16 S 2220 TO /
GP SHIFT SYSTEM





Parts list

Page 1 from 2

Material number: 1367.002.030

16 S 2220 TO /

Plant: 161.46.01-1

Material-assembly-group-no: 1325.134.006



Pos.	Material number	Customer material	Name	Quantity	ME	Amend. no.	Techn. Info.	Weight	Rep kit	Alternative material
10	1325.334.017	1831952	GEAR SHIFT RAIL	1				0,000		
20	0750.112.253	5 8342 0	FLANGE PACKING	1			25X40X15	0,000		
30	---		PISTON	1			GP	0,000		
---	1315.334.034		PISTON	1			ENTHALT.IN 1315 334 040(2)	0,000		
---	1315.334.063		PISTON	1				0,000		
40	0734.307.294	5 8400 0	SEALING RING	1			49X91X7,4 FA.KACO	0,000		
50	0734.307.294	5 8400 0	SEALING RING	1			49X91X7,4 FA.KACO	0,000		
60	0750.112.066	5 5131 0	GUIDE RING	1				0,000		
70	0737.300.037		LOCKING NUT	1		Z00008929010	MS16X1,5	0,000		
80	0501.322.778	1831950	GASKET	1				0,000		
90	1325.334.013	1831951	CYLINDER	1			GP	0,000		
100	---		HEXAGON BOLT	1		Z00007349210	M10X90	0,000		
---	0636.015.688		HEXAGON BOLT	1		Z00007349212	M10X90	0,000		
---	0630.100.294		WASHER	1		Z00007158111		0,000		
110	---		HEXAGON BOLT	1		Z00007349210	M10X90	0,000		
---	0636.015.688		HEXAGON BOLT	1		Z00007349212	M10X90	0,000		
---	0630.100.294		WASHER	1		Z00007158111		0,000		
120	---		HEXAGON BOLT	1		Z00007349210	M10X90	0,000		
---	0636.015.688		HEXAGON BOLT	1		Z00007349212	M10X90	0,000		
---	0630.100.294		WASHER	1		Z00007158111		0,000		
200	1325.334.008		SLIDING PAD	1			GP	0,000		
210	1325.334.008		SLIDING PAD	1			GP	0,000		
230	1325.334.007	1831948	GEAR SHIFT FORK	1			GP	0,000		
240	---		ARTICULATION BOLT	1			O.SCHEIBE M24X1,5 SK6	0,000		
---	1315.334.074	1877888	ARTICULATION BOLT	1		Z00004075610		0,000		
250	---		ARTICULATION BOLT	1			O.SCHEIBE M24X1,5 SK6	0,000		
---	1315.334.074	1877888	ARTICULATION BOLT	1		Z00004075610		0,000		
300	---		DETENT PLUNGER	1			145N*50N.M	0,000		

Parts list

Page 2 from 2

Material number: 1367.002.030

16 S 2220 TO /

Plant: 161.46.01-1

Material-assembly-group-no: 1325.134.006



Pos.	Material number	Customer material	Name	Quantity	ME	Amend. no.	Techn. Info.	Weight	Rep kit	Alternative material
---	1324.207.035		DETENT PLUNGER	1			KPL. *145 N	0,000		
---	0730.008.604		SEALING RING	1				0,000		
400	1295.212.006		PIN	1			KPL.	0,000		
520	---		SWITCH	1			SCHL *45N.M* DICHTRING* BAJONETT* SCHUTZKAPPE	0,000		
---	0501.210.058	1864900531	SWITCH	1			KPL.	0,000		
---	0634.801.062		SEALING RING	1			18X24	0,001		
---	0700.300.427		PROTECTING CAP	1				0,005		

Plant

Page 1 from 1

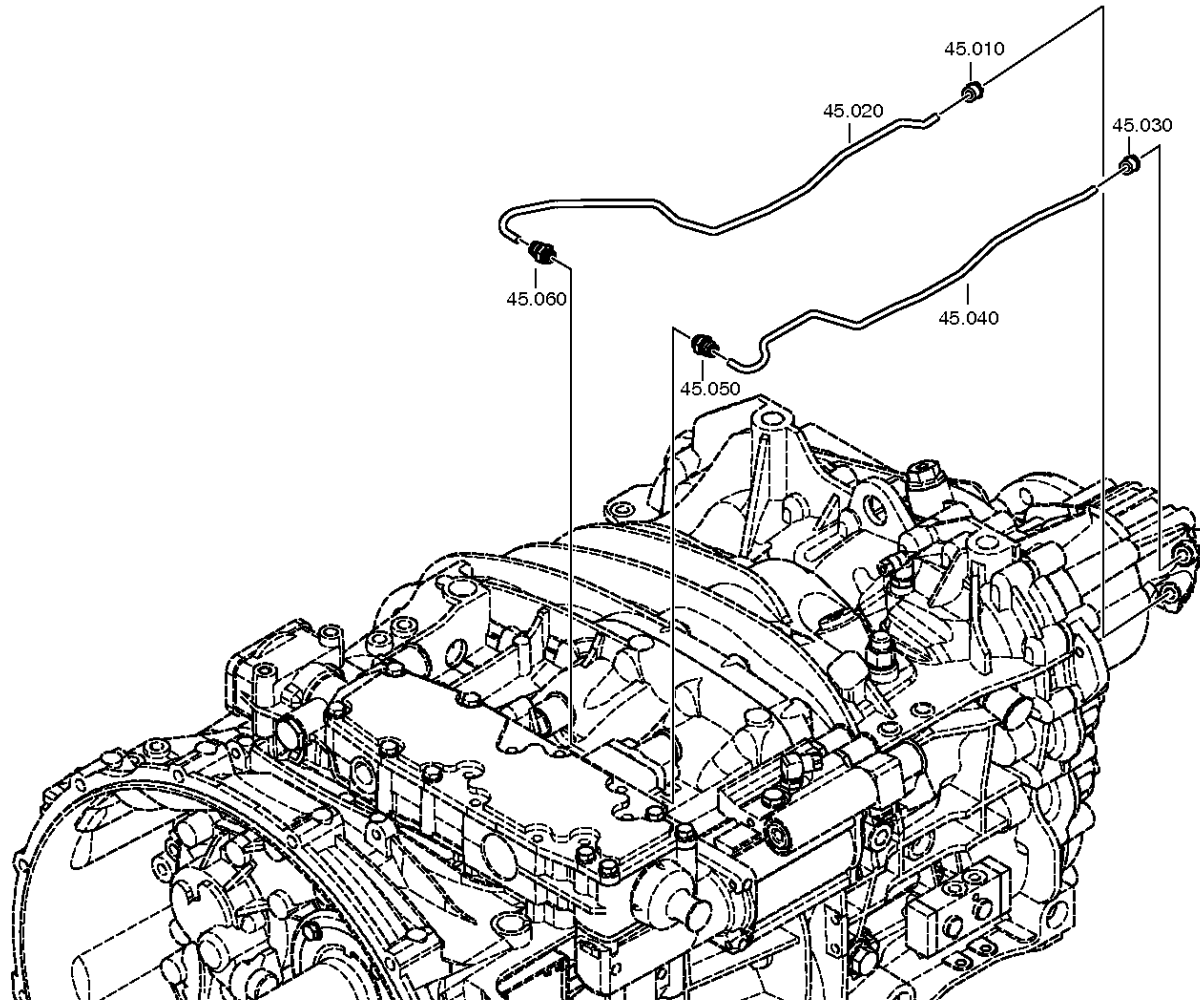
Material number: 1367.002.030

Plant: 161.57.04-1

Material-assembly-group-no: 1325.145.004

16 S 2220 TO /

RANGE SELECTION



Parts list

Page 1 from 1

Material number: 1367.002.030

16 S 2220 TO /

Plant: 161.57.04-1

Material-assembly-group-no: 1325.145.004



Pos.	Material number	Customer material	Name	Quantity	ME	Amend. no.	Techn. Info.	Weight	Rep kit	Alternative material
10	0501.324.029		MALE COUPLING	1				0,000		
20	1325.345.009		PIPE	1			H-H	0,000		
30	0501.324.029		MALE COUPLING	1				0,000		
40	1325.345.008		PIPE	1			E13MP	0,000		
50	0501.326.099		MALE COUPLING	1			M14X1,5 ROHR 8MM	0,000		
60	0501.326.099		MALE COUPLING	1			M14X1,5 ROHR 8MM	0,000		

Plant

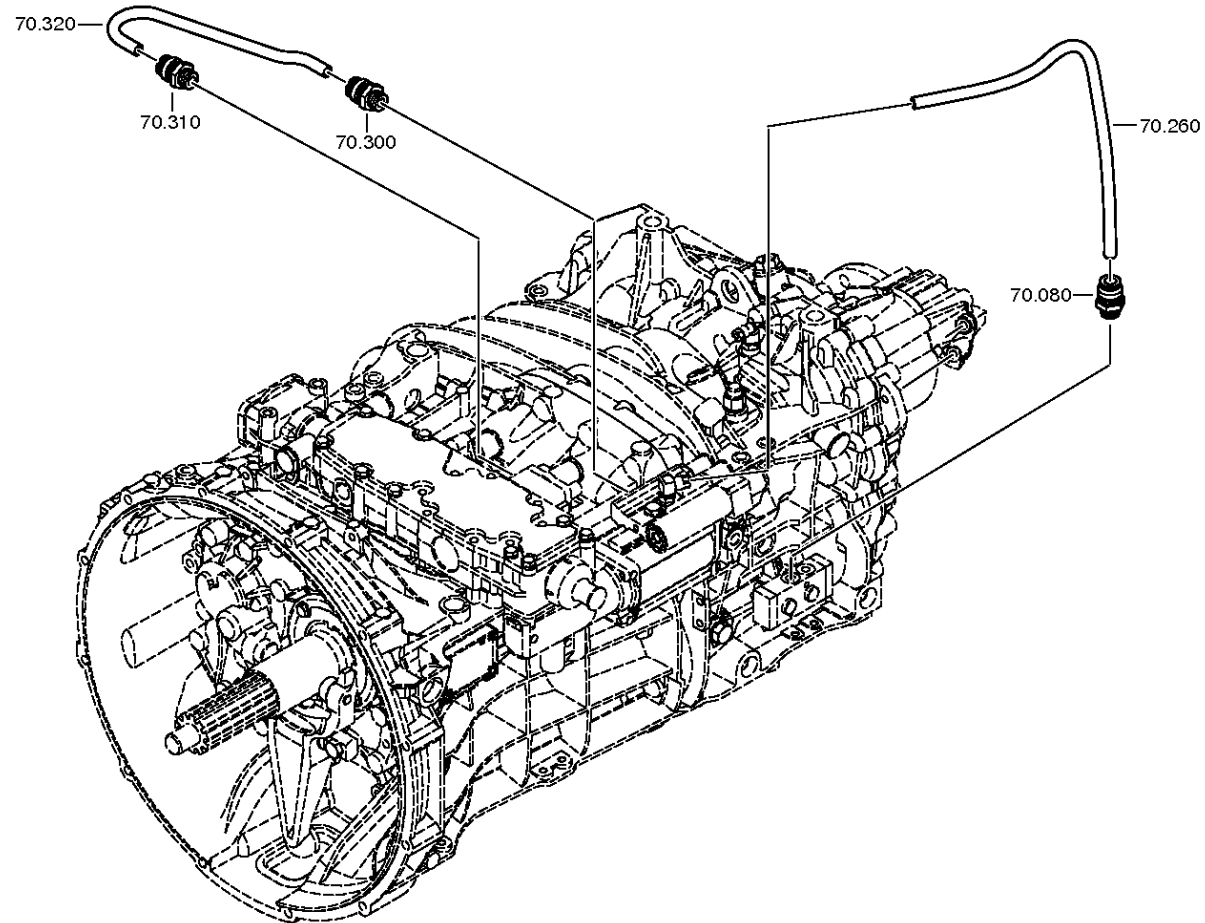
Page 1 from 1

Material number: 1367.002.030

Plant: 161.70.06-1

Material-assembly-group-no: 1356.170.009

16 S 2220 TO /
SHUT-OFF VALVE



Parts list

Page 1 from 1

Material number: 1367.002.030

16 S 2220 TO /

Plant: 161.70.06-1

Material-assembly-group-no: 1356.170.009



Pos.	Material number	Customer material	Name	Quantity	ME	Amend. no.	Techn. Info.	Weight	Rep kit	Alternative material
80	0501.324.666		MALE COUPLING	1			M12X1,5 ROHR 8MM DROSSEL	0,000		
260	0730.301.003		PIPE	1		Z00006626010	8X1X450 8X1X450	0,000		
300	0501.324.477		MALE COUPLING	1			M12X1,5 ROHR 8MM	0,000		
310	0501.324.477		MALE COUPLING	1			M12X1,5 ROHR 8MM	0,000		
320	1325.345.029		PIPE	1				0,000		

Plant

Page 1 from 1

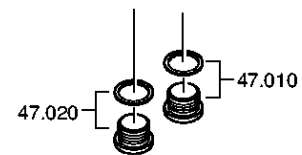
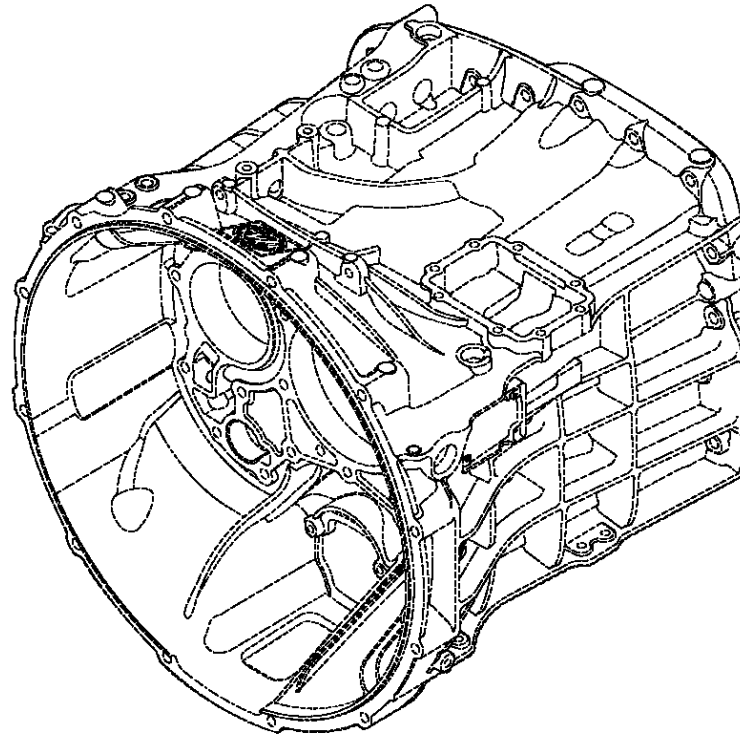
Material number: 1367.002.030

Plant: 161.90.08

Material-assembly-group-no: 1325.147.009

16 S 2220 TO /

SCREW PLUG



Parts list

Page 1 from 1

Material number: 1367.002.030

16 S 2220 TO /

Plant: 161.90.08

Material-assembly-group-no: 1325.147.009



Pos.	Material number	Customer material	Name	Quantity	ME	Amend. no.	Techn. Info.	Weight	Rep kit	Alternative material
10	---		SCREW PLUG	1		Z00010164013	50N.M*DICHTRING M22X1,5	0,000		
---	0636.100.824		SCREW PLUG	1		Z00010164019	M22X1,5	0,000		
---	0730.009.515		SEALING RING	1		Z00010164019	A22X27	0,000		
20	---		SCREW PLUG	1		Z00010164013	50N.M*DICHTRING M22X1,5	0,000		
---	0636.100.824		SCREW PLUG	1		Z00010164019	M22X1,5	0,000		
---	0730.009.515		SEALING RING	1		Z00010164019	A22X27	0,000		

Plant

Page 1 from 1

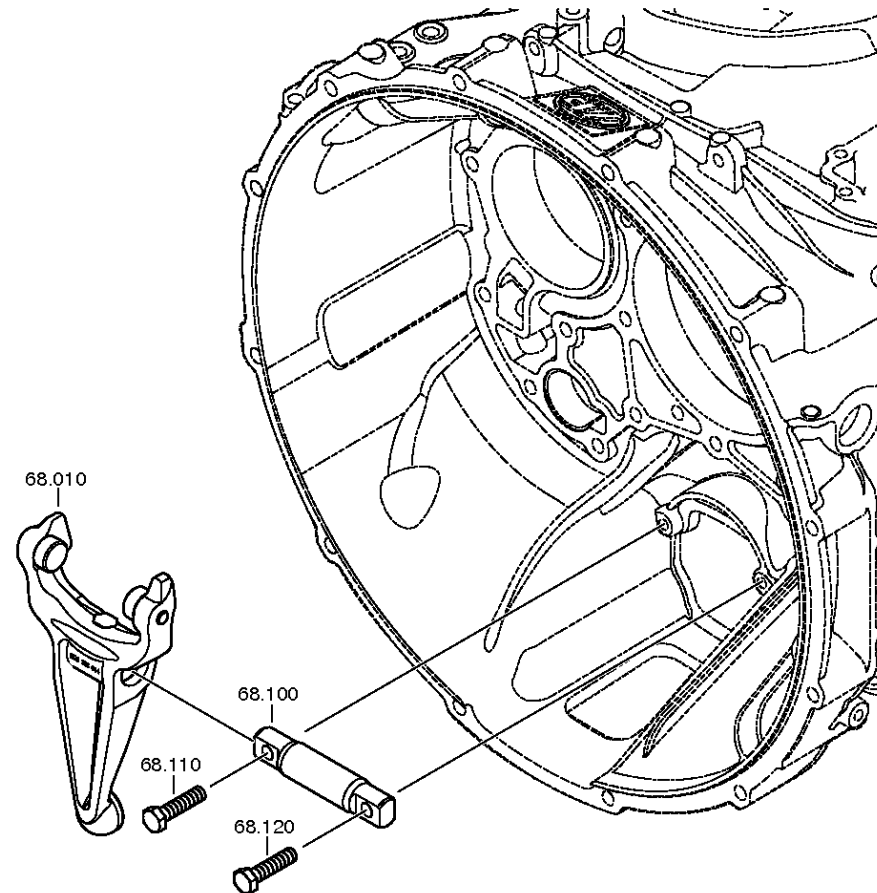
Material number: 1367.002.030

Plant: 161.93.25-1

Material-assembly-group-no: 1325.168.005

16 S 2220 TO /

CLUTCH RELEASE DEVICE



Parts list

Page 1 from 1

Material number: 1367.002.030

16 S 2220 TO /

Plant: 161.93.25-1

Material-assembly-group-no: 1325.168.005



Pos.	Material number	Customer material	Name	Quantity	ME	Amend. no.	Techn. Info.	Weight	Rep kit	Alternative material
10	1328.268.012		RELEASE FORK	1		Z00004402510	KPL*GABELWEITE 116,0*KUGEL D=22*I= 2,00*MIT ROLLE*1-SK	0,000		
/110	1328.368.044		RELEASE FORK	1		Z00004402511		0,000		
/120	0501.306.220	0501 306 220	BALL CUP	1		Z00004402511		0,000		
/130	0501.323.199		BEARING BUSH	1		Z00004402511		0,000		
/150	0501.214.560		CAM FOLLOWER	1		Z00004402511	KPL.	0,000		
/160	0501.214.560		CAM FOLLOWER	1		Z00004402511	KPL.	0,000		
100	1328.368.001	871180008	RELEASE SHAFT	1				0,000		
110	0636.016.416		HEXAGON BOLT	1		Z00007284510	M12X50	0,000		
120	0636.016.416		HEXAGON BOLT	1		Z00007284510	M12X50	0,000		