



# Spare Parts Catalog

6 S 1000 TO  
KAMAZ PUBLIC JOINT STOCK COMPANY

Material number: 1346.082.007



Pos.	Information	Amendment number
001	Use case -----	
002	Customer KAMAZ PUBLIC JOINT STOCK COMPANY	
003	City Naberezhnye Chelny	
004	DUNS 64-493-2113	
005	Vehicle / Apparatus -----	
006	Sales Name KAMAZ-4308	
007	Manufacturer KAMAZ PUBLIC JOINT STOCK COMPANY	
008	Engineering Name	
009	Product Use TRUCK	
010	Vehicle/Hardware Type ROAD TRACTOR	
011	SOP	
012	Engine	
013	Sales Designation	
014	Manufacturer Cummins Engine Co.	
015	Eng.Displ.	
016	Cylinder	
017	Nom. power 136 kW	
018	RPM at nom. power 2500 1/min	
019	Nom. torque 700 Nm	
020	RPM at nom. torque 1500 1/min	
021	Classification use case -----	
022	APPROVAL NOTE 1 FIRST FITTING CHECK CARR.OUT	
024	DESIGNATION, CLUTCH MF395	
025	MANUFACTURER, CLUTCH ZF-SACHS	
026	TOTAL NUMBER OF WHEELS 4	
027	NUMBER OF DRIVING WHEELS 4	
028	DYNAMIC TYRE RADIUS 407 mm	
029	REAR AXLE RATIO 4.78	
033	PERMISS.GROSS VEHICLE WEIGHT 11 t	
034	PERMISS.GROSS COMBIN.WEIGHT 19 t	
035	Product description -----	
036	OIL FILL VARIANT EX WORKS	



Pos.	Information	Amendment number
037	OIL CAPACITY, GEARBOX 9.3 dm3	
038	OIL GRADE PERMISSIBLE ACC. TO TE-ML02	



Graphics	Pos.	Material number	Name	VKF	Amend. no.	Amend. start	Prod. no.	Material feature / tech. info.	ID
	910	1346.002.062	6 S 1000 TO	1		00.00.0000		SG*LL*ANGEFL*DW-WL	1
150.01.08-1	24	1346.101.044	TYPE PLATE	1		00.00.0000		LP	3
150.01.08-1	110	1346.101.045	CLUTCH HOUSING	1		00.00.0000		LL*6S1000TO*GD*OHNE TYPENSCHILD	3
150.01.08-1	120	1346.101.800	OUTPUT HOUSING	1		00.00.0000		LL*6S1000TO*6S800TD	3
150.02.01-1	130	1346.102.008	INPUT SHAFT	1		00.00.0000		I= 6,75*L=107*SAE10C 1 3/4*OD*6S1000TO*L=299,5*LAGEROPTIM.	3
150.02.01-1	140	1346.102.007	GUIDE TUBE	1		00.00.0000		L=107*D=57*1 3/4*LAGEROPTI*L=15	3
150.02.01-1	150	1346.102.801	GUIDE TUBE	1		00.00.0000		E2410*2408	3
150.02.01-1	160	1346.102.800	INPUT SHAFT	1		00.00.0000		6S1000TO*6S800TD	3
150.03.01-1	920	1346.103.001	LAYSHAFT	1		00.00.0000		I=6,75-0,78*6S1000TO	3
150.04.01-1	210	1346.104.800	MAIN SHAFT	1		00.00.0000		AD=155*LZ=4*D=13,0 *E24*L=112,5	3
150.04.01-1	910	1346.104.001	MAIN SHAFT	1		00.00.0000		I=6,75-0,78*6S1000 TO	3
150.05.01-1	220	1346.105.001	RETURN	1		00.00.0000		6S1000TO*6S800TD	3
150.06.01-1	230	1346.106.003	GEAR SHIFT SYSTEM	1		00.00.0000		OD*6S 1000TO*NEUE SCHUBST.	3
150.09.04-1	10	1346.109.006	GEAR SHIFT HOUSING	1		00.00.0000		DW-LI*MGS	3
150.10.01-1	270	1346.174.800	SHIFT TURRET	1		00.00.0000		ANBAUTEILE*VB	3
150.18.01-1	300	1346.108.002	SPEEDOMETER COVER	1		00.00.0000		6S 1000TO*6S 800TD*M.GEBER*BAJONETT	3
150.18.01-1	310	1346.108.800	SPEEDOMETER COVER	1		00.00.0000		6S 1000TO*6S 800TD	3
	90	1346.150.023	SET OF SPRINGS	1		00.00.0000		DW-LI*Q10*W020	3
150.52.04-1	40	1346.152.002	LEVER	1		00.00.0000		DW-LI*MGS *R=65/85*A23*FZO	3
150.55.03-1	30	1346.155.005	GEAR SHIFT SHAFT	1		00.00.0000		DW-LI*MGS *L=221/217	3
150.58.01-1	100	1346.158.004	DETENT	1		00.00.0000		DW-LI/RE*MGS *138N	3
150.59.03-1	80	1346.159.018	SWITCH	1		00.00.0000		NG OEFF*RG SCHL*MGS *RIEGELFEDER 160N	3
150.93.42-1	330	6060.168.009	CLUTCH RELEASE DEVICE	1		00.00.0000		E24*SAE2*O.AUSRUECKER	3

VKF Incidence factor

ID Identification (output code)



Pos.	Material number	Name	VKF	Amend. no.	Amend. start	Prod. no.	Material feature / tech. info.	OTK	External material no.	ID	Weight	SP
10	1346.109.006	GEAR SHIFT HOUSING	1		00.00.0000		DW-LI*MGS			3	0,000	
24	1346.101.044	TYPE PLATE	1		00.00.0000		LP			3	0,000	
30	1346.155.005	GEAR SHIFT SHAFT	1		00.00.0000		DW-LI*MGS *L=221/217			3	0,000	
40	1346.152.002	LEVER	1		00.00.0000		DW-LI*MGS *R=65/85*A23* FZO			3	0,000	
80	1346.159.018	SWITCH	1		00.00.0000		NG OEFF*RG SCHL*MGS * RIEGELFEDER 160N			3	0,000	
90	1346.150.023	SET OF SPRINGS	1		00.00.0000		DW-LI*Q10*W020			3	0,000	
100	1346.158.004	DETENT	1		00.00.0000		DW-LI/RE*MGS *138N			3	0,000	
110	1346.101.045	CLUTCH HOUSING	1		00.00.0000		LL*6S1000TO*GD*OHNE TYPENSCHILD			3	0,000	
120	1346.101.800	OUTPUT HOUSING	1		00.00.0000		LL *6S1000TO*6S800TD			3	0,000	
130	1346.102.008	INPUT SHAFT	1		00.00.0000		I= 6,75*L=107*SAE10C 1 3/4*OD*6S1000TO*L=299,5* LAGEROPTIM.			3	0,000	
140	1346.102.007	GUIDE TUBE	1		00.00.0000		L=107*D=57*1 3/4* LAGEROPTI*L=15			3	0,000	
150	1346.102.801	GUIDE TUBE	1		00.00.0000		E2410*2408			3	0,000	
160	1346.102.800	INPUT SHAFT	1		00.00.0000		6S1000TO*6S800TD			3	0,000	
210	1346.104.800	MAIN SHAFT	1		00.00.0000		AD=155*LZ=4*D=13,0 *E24*L =112,5			3	0,000	
220	1346.105.001	RETURN	1		00.00.0000		6S1000TO*6S800TD			3	0,000	
230	1346.106.003	GEAR SHIFT SYSTEM	1		00.00.0000		OD*6S 1000TO*NEUE SCHUBST.			3	0,000	
270	1346.174.800	SHIFT TURRET	1		00.00.0000		ANBAUTEILE*VB			3	0,000	
300	1346.108.002	SPEEDOMETER COVER	1		00.00.0000		6S 1000TO*6S 800TD*M. GEBER*BAJONETT			3	0,000	
310	1346.108.800	SPEEDOMETER COVER	1		00.00.0000		6S 1000TO*6S 800TD			3	0,000	
330	6060.168.009	CLUTCH RELEASE DEVICE	1		00.00.0000		E24*SAE2*O.AUSRUECKER			3	0,000	

VKF Incidence factor

OTK Optional technical kit

ID Identification (output code)

SP Supplier plant



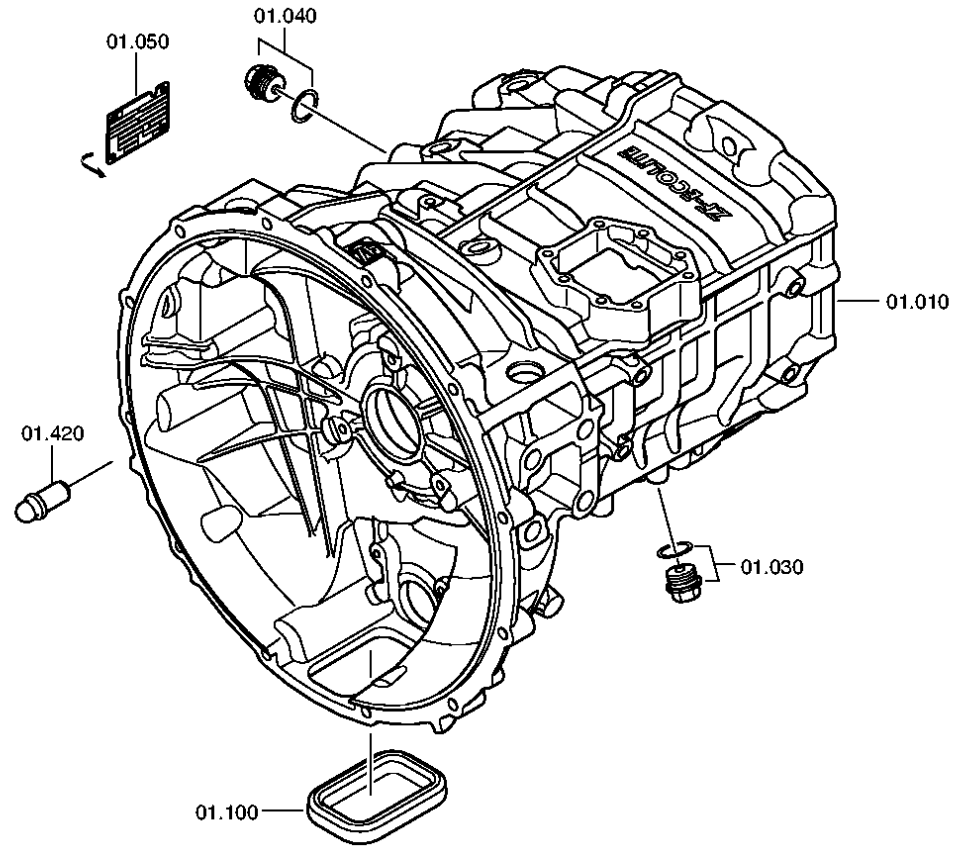
Pos.	Material number	Name	VKF	Amend. no.	Amend. start	Prod. no.	Material feature / tech. info.	OTK	External material no.	ID	Weight	SP
910	1346.104.001	MAIN SHAFT	1		00.00.0000		I=6,75-0,78*6S1000 TO			3	0,000	
920	1346.103.001	LAYSHAFT	1		00.00.0000		I=6,75-0,78*6S1000TO			3	0,000	

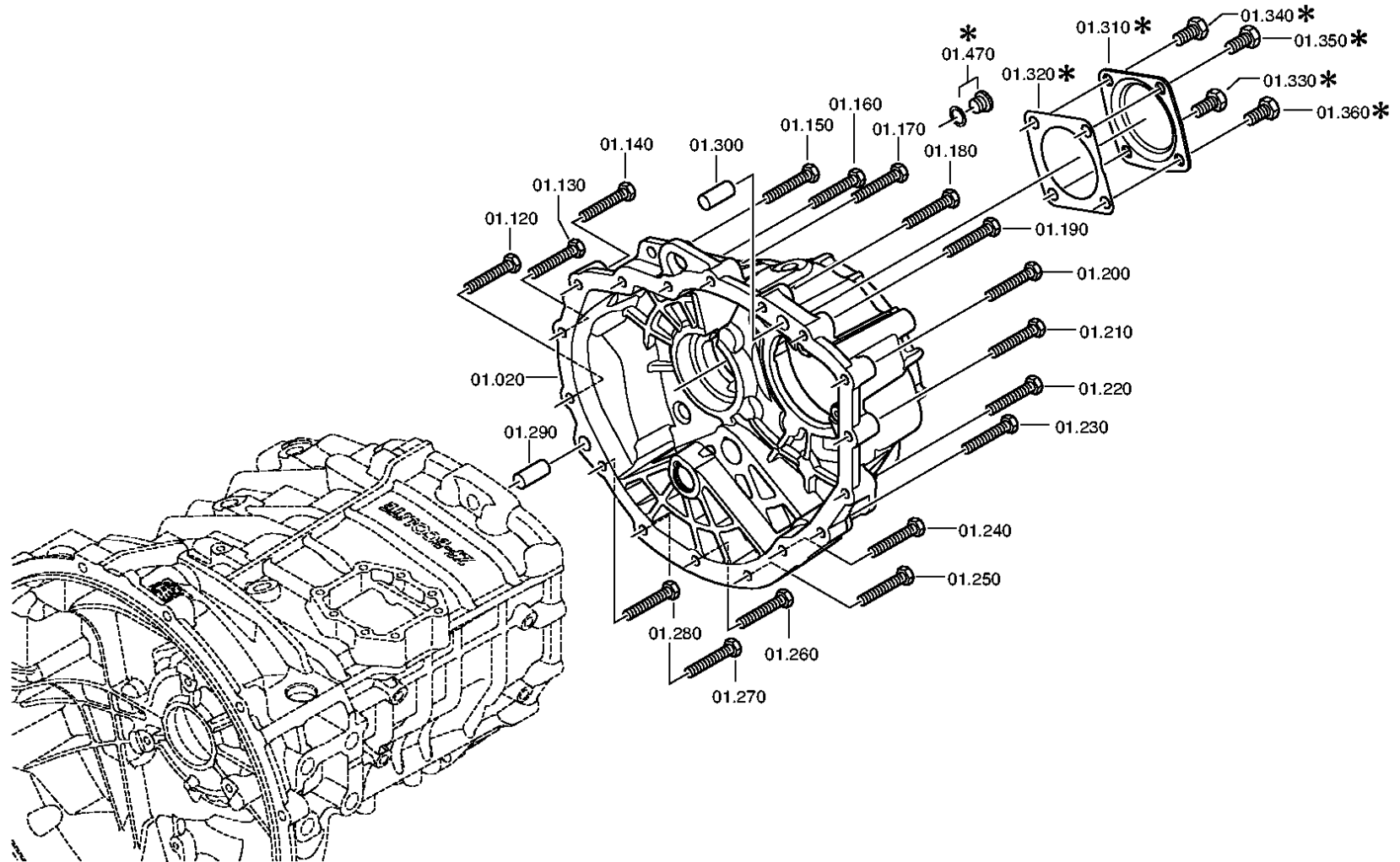
**VKF** Incidence factor

**OTK** Optional technical kit

**ID** Identification (output code)

**SP** Supplier plant









Pos.	Material number	Name	VKF	Amend. no.	Amend. start	Prod. no.	Material feature / tech. info.	OTK	External material no.	ID	Weight	SP
10	1346.301.088	CLUTCH HOUSING	1		00.00.0000		E2410, DRUCKGUSS			5	0,000	
20	1346.301.081	OUTPUT HOUSING	1		00.00.0000		E2410			5	0,000	
30	---	SCREW PLUG	1		00.00.0000		60N.M*DICHTRING M24X1,5			3	0,000	
---	0736.305.070	SCREW PLUG	1		00.00.0000		ENTHALT.IN 0736 305 041(2)			5	0,000	
---	0730.008.637	SEALING RING	1		00.00.0000		A24X29			5	0,000	
40	---	SCREW PLUG	1		00.00.0000		60N.M*DICHTRING M24X1,5			3	0,000	
---	0636.304.049	SCREW PLUG	1		00.00.0000		M24X1,5			5	0,094	
---	0730.008.637	SEALING RING	1		00.00.0000		A24X29			5	0,000	
50	0730.365.260	TYPE PLATE	1		00.00.0000					5	0,000	
54	0659.160.046	CABLE CLIP	1		00.00.0000					5	0,000	
100	1315.301.230	PROTECTION CAP	1		00.00.0000					5	0,000	
120	0636.016.405	HEXAGON BOLT	1	Z0000706 0114	01.01.2012	01.01.2012	M10X60			5	0,000	
130	0636.016.405	HEXAGON BOLT	1	Z0000706 0114	01.01.2012	01.01.2012	M10X60			5	0,000	
140	0636.016.405	HEXAGON BOLT	1	Z0000706 0114	01.01.2012	01.01.2012	M10X60			5	0,000	
150	0636.016.405	HEXAGON BOLT	1	Z0000706 0114	01.01.2012	01.01.2012	M10X60			5	0,000	
160	0636.016.405	HEXAGON BOLT	1	Z0000706 0114	01.01.2012	01.01.2012	M10X60			5	0,000	
170	0636.016.405	HEXAGON BOLT	1	Z0000706 0114	01.01.2012	01.01.2012	M10X60			5	0,000	
180	0636.016.405	HEXAGON BOLT	1	Z0000706 0114	01.01.2012	01.01.2012	M10X60			5	0,000	
190	0636.016.405	HEXAGON BOLT	1	Z0000706 0114	01.01.2012	01.01.2012	M10X60			5	0,000	
200	0636.016.405	HEXAGON BOLT	1	Z0000706 0114	01.01.2012	01.01.2012	M10X60			5	0,000	
210	0636.016.405	HEXAGON BOLT	1	Z0000706 0114	01.01.2012	01.01.2012	M10X60			5	0,000	

VKF Incidence factor

OTK Optional technical kit

ID Identification (output code)

SP Supplier plant



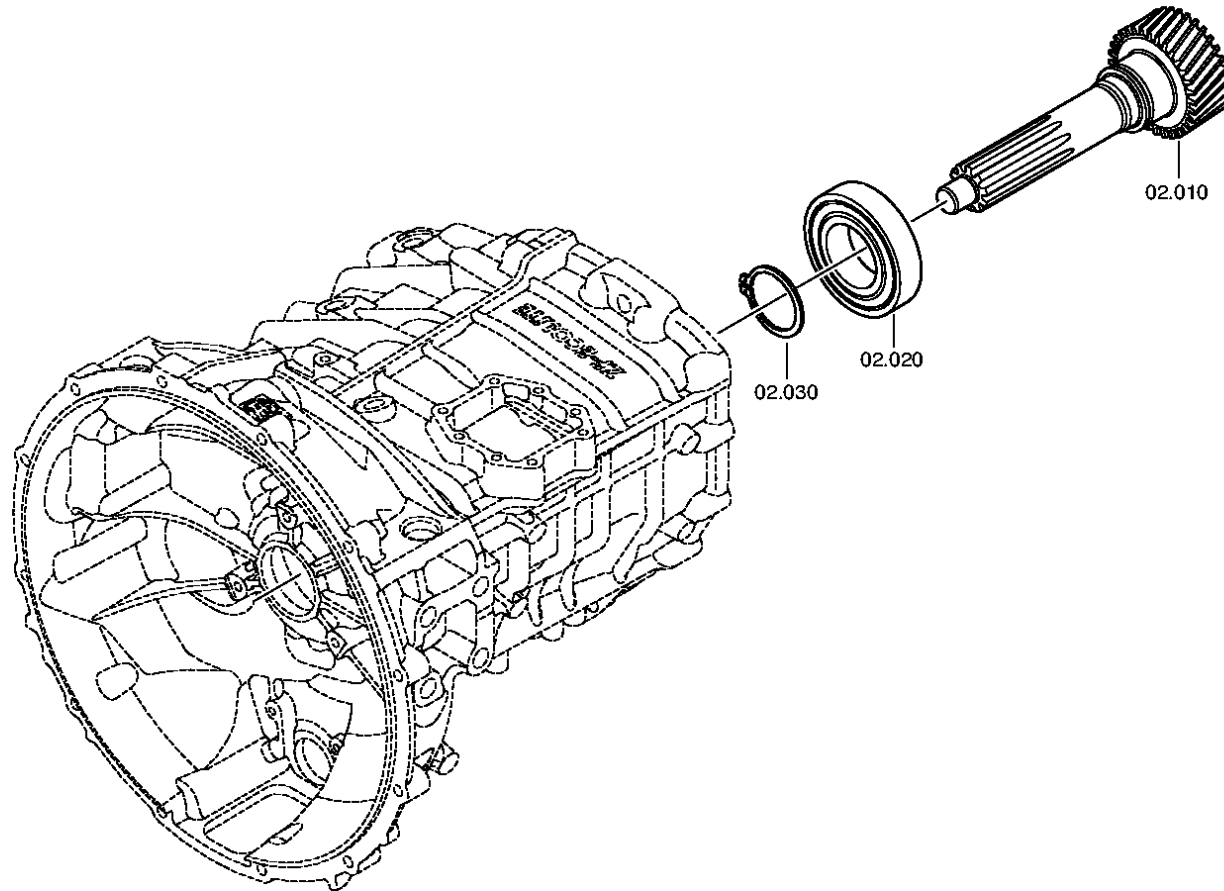
Pos.	Material number	Name	VKF	Amend. no.	Amend. start	Prod. no.	Material feature / tech. info.	OTK	External material no.	ID	Weight	SP
220	0636.016.405	HEXAGON BOLT	1	Z0000706 0114	01.01.2012	01.01.2012	M10X60			5	0,000	
230	0636.016.405	HEXAGON BOLT	1	Z0000706 0114	01.01.2012	01.01.2012	M10X60			5	0,000	
240	0636.016.405	HEXAGON BOLT	1	Z0000706 0114	01.01.2012	01.01.2012	M10X60			5	0,000	
250	0636.016.405	HEXAGON BOLT	1	Z0000706 0114	01.01.2012	01.01.2012	M10X60			5	0,000	
260	0636.016.405	HEXAGON BOLT	1	Z0000706 0114	01.01.2012	01.01.2012	M10X60			5	0,000	
270	0636.016.405	HEXAGON BOLT	1	Z0000706 0114	01.01.2012	01.01.2012	M10X60			5	0,000	
280	0636.016.405	HEXAGON BOLT	1	Z0000706 0114	01.01.2012	01.01.2012	M10X60			5	0,000	
290	0631.306.229	CYLINDRICAL PIN	1		00.00.0000		16X36			5	0,000	
300	0631.306.229	CYLINDRICAL PIN	1		00.00.0000		16X36			5	0,000	
310	1328.301.170	COVER	1	Z0000806 8010	31.12.2010	31.12.2010				5	0,000	
320	1238.308.201	GASKET	1		00.00.0000		ENTHALT.IN 1238 308 202(2)			5	0,000	
330	0636.016.406	HEXAGON BOLT	1	Z0000706 1014	01.01.2012	01.01.2012	M12X25			5	0,000	
340	0636.016.406	HEXAGON BOLT	1	Z0000706 1014	01.01.2012	01.01.2012	M12X25			5	0,000	
350	0636.016.406	HEXAGON BOLT	1	Z0000706 1014	01.01.2012	01.01.2012	M12X25			5	0,000	
360	0636.016.406	HEXAGON BOLT	1	Z0000706 1014	01.01.2012	01.01.2012	M12X25			5	0,000	
420	6060.368.031	BALL PIN	1		00.00.0000					5	0,000	
470	---	SCREW PLUG	1	C0100887 0E10	00.00.0000	00.00.0000	15N.M*DICHTRING M10X1			3	0,000	
---	0636.302.053	SCREW PLUG	1		00.00.0000		M10X1			5	0,100	
---	0634.801.013	SEALING RING	1		00.00.0000		10X14			5	0,001	

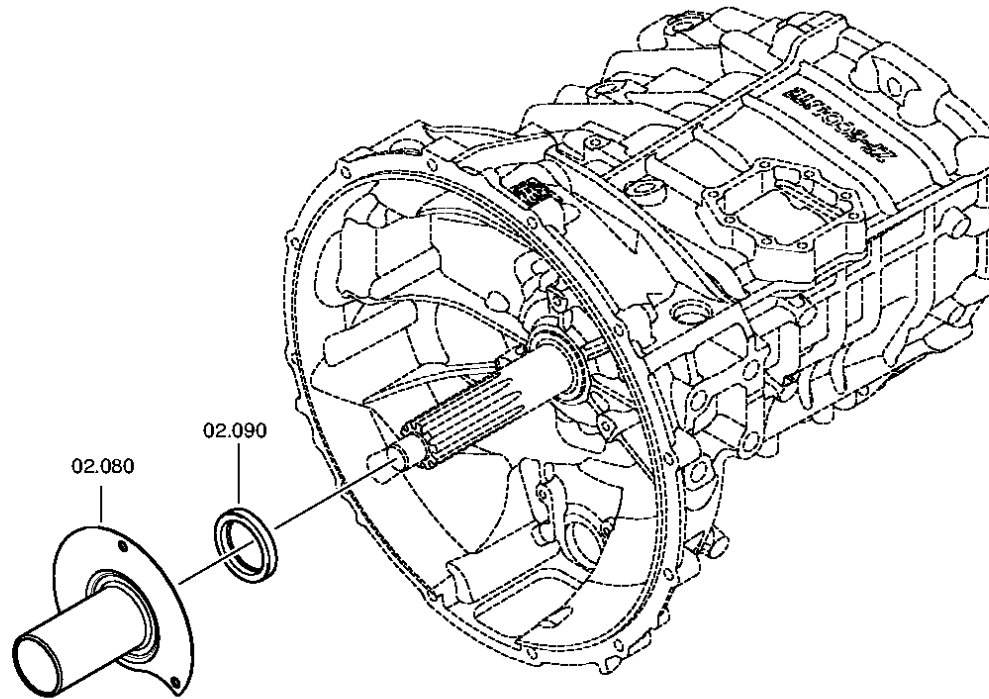
VKF Incidence factor

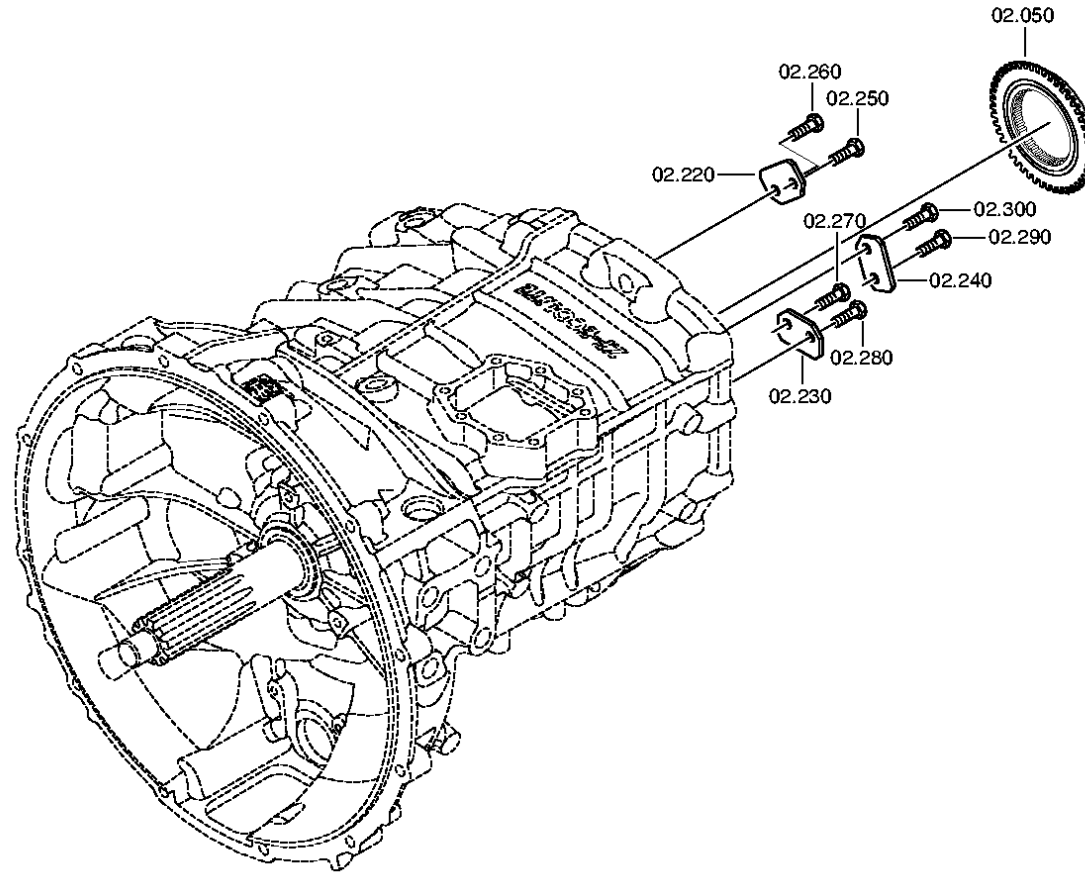
OTK Optional technical kit

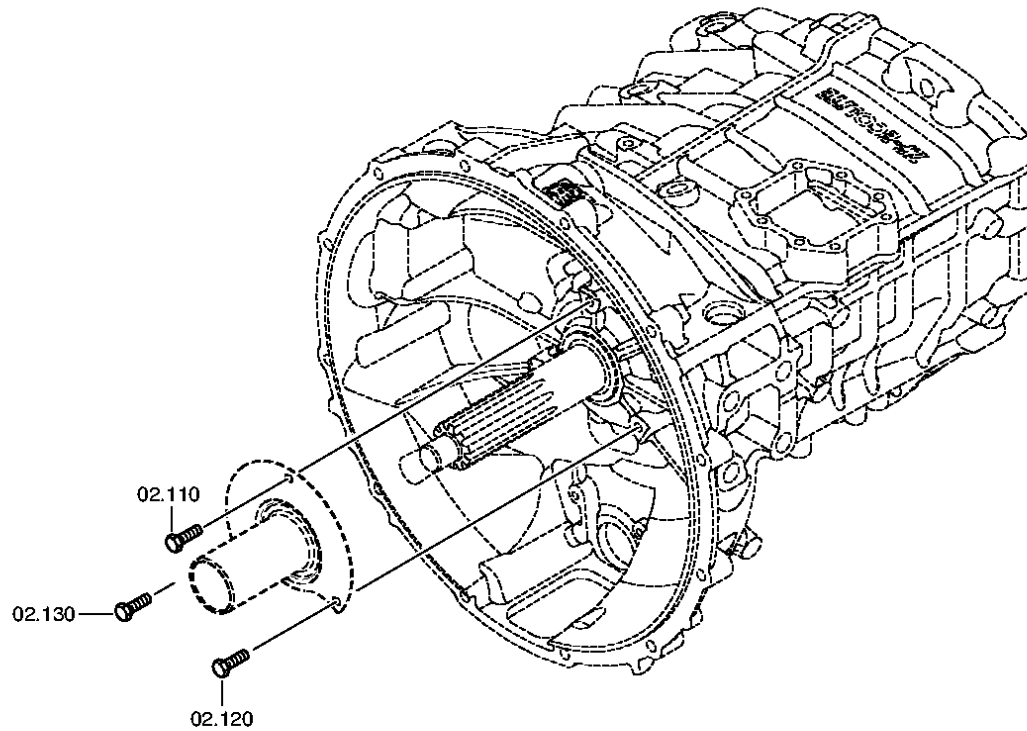
ID Identification (output code)

SP Supplier plant











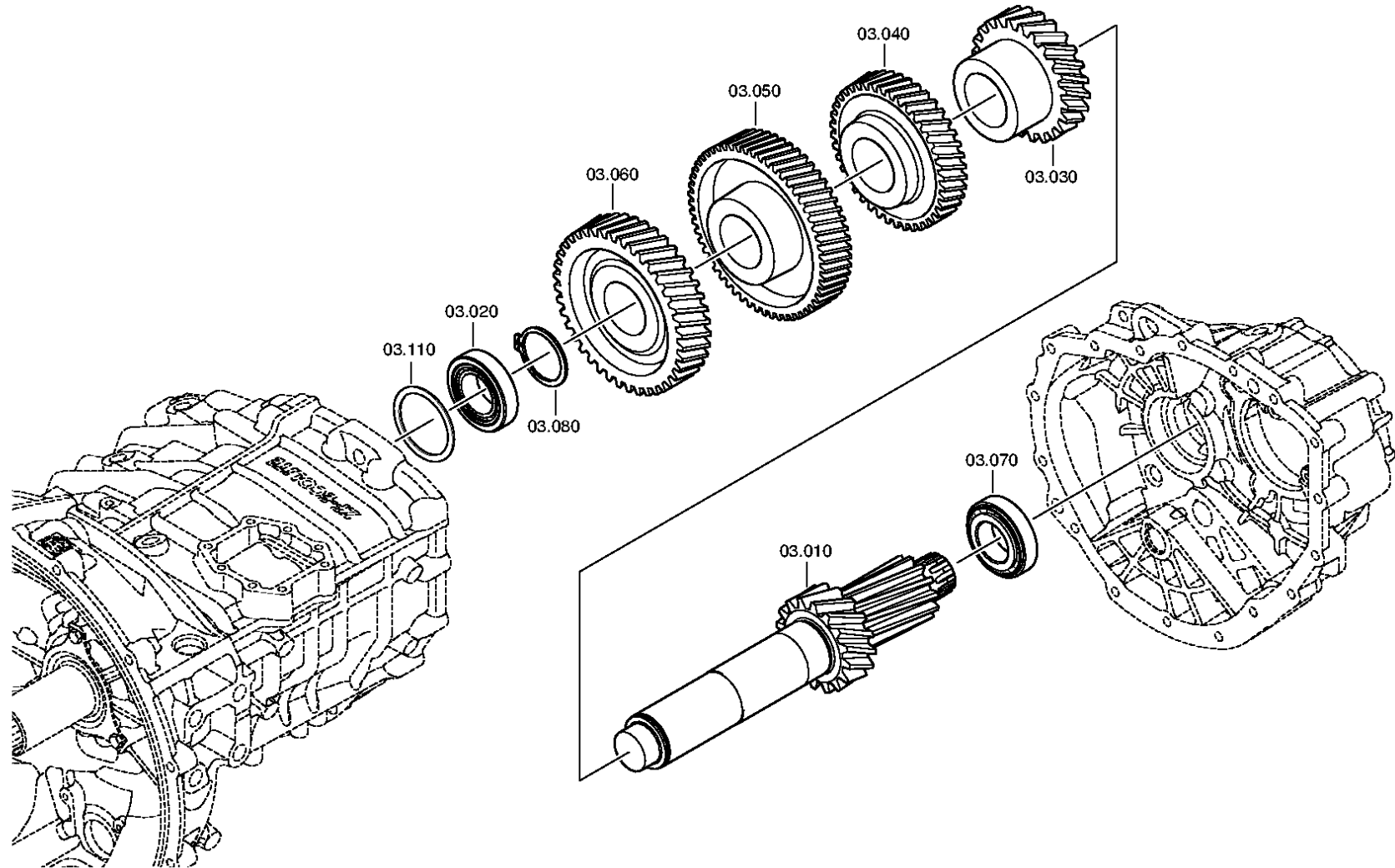
Pos.	Material number	Name	VKF	Amend. no.	Amend. start	Prod. no.	Material feature / tech. info.	OTK	External material no.	ID	Weight	SP
10	1346.302.047	INPUT SHAFT	1		00.00.0000		E2410			5	0,000	
20	0735.330.801	BALL BEARING	1		00.00.0000		60,0X130,0X31,0 FA.SKF			5	0,000	
30	0630.531.076	RETAINING RING	1		00.00.0000		60X3			5	0,020	
50	1346.304.047	CLUTCH BODY	1		00.00.0000		E2410			5	0,000	
80	1346.302.078	GUIDE TUBE	1	C0100945 1E10	00.00.0000	00.00.0000				5	0,000	
90	---	SHAFT SEAL	1		00.00.0000		48X65X7			3	0,000	
---	0734.319.782	SHAFT SEAL	1		00.00.0000		48X65X7 FA.CFW			5	0,000	
110	0636.016.401	HEXAGON BOLT	1	Z0000705 6712	01.01.2012	01.01.2012	M8X25			5	0,000	
120	0636.016.401	HEXAGON BOLT	1	Z0000705 6712	01.01.2012	01.01.2012	M8X25			5	0,000	
130	0636.016.401	HEXAGON BOLT	1	Z0000705 6712	01.01.2012	01.01.2012	M8X25			5	0,000	
220	1290.312.111	TAB WASHER	1		00.00.0000		ENTHALT.IN 1290 312 113(2)			5	0,000	
230	1290.312.111	TAB WASHER	1		00.00.0000		ENTHALT.IN 1290 312 113(2)			5	0,000	
240	1290.312.111	TAB WASHER	1		00.00.0000		ENTHALT.IN 1290 312 113(2)			5	0,000	
250	0636.016.401	HEXAGON BOLT	1	Z0000705 6712	01.01.2012	01.01.2012	M8X25			5	0,000	
260	0636.016.401	HEXAGON BOLT	1	Z0000705 6712	01.01.2012	01.01.2012	M8X25			5	0,000	
270	0636.016.401	HEXAGON BOLT	1	Z0000705 6712	01.01.2012	01.01.2012	M8X25			5	0,000	
280	0636.016.401	HEXAGON BOLT	1	Z0000705 6712	01.01.2012	01.01.2012	M8X25			5	0,000	
290	0636.016.401	HEXAGON BOLT	1	Z0000705 6712	01.01.2012	01.01.2012	M8X25			5	0,000	
300	0636.016.401	HEXAGON BOLT	1	Z0000705 6712	01.01.2012	01.01.2012	M8X25			5	0,000	

VKF Incidence factor

OTK Optional technical kit

ID Identification (output code)

SP Supplier plant







Pos.	Material number	Name	VKF	Amend. no.	Amend. start	Prod. no.	Material feature / tech. info.	OTK	External material no.	ID	Weight	SP
10	1346.203.001	LAYSHAFT	1	C0100849 0E10	00.00.0000	00.00.0000	KPL.6S1000TO			3	0,000	
/10	1346.303.064	LAYSHAFT	1		00.00.0000		E2410			5	0,000	
/20	1250.303.095	THRUST RING	1		00.00.0000					5	0,000	
20	0735.371.994	TAROLLBEARING	1		00.00.0000		33209 FA. FAG			5	0,000	
30	1346.303.046	HELICAL GEAR	1	C0100828 4E10	00.00.0000	00.00.0000	E2410 G3			5	0,000	
40	1346.303.040	HELICAL GEAR	1		00.00.0000		E2410 G4			5	0,000	
50	1346.303.039	HELICAL GEAR	1		00.00.0000		E2410 G6 OD/ KO DD			5	0,000	
60	1346.303.038	HELICAL GEAR	1		00.00.0000		E2410 KO OD / G5 DD			5	0,000	
70	0735.372.217	TAROLLBEARING	1		00.00.0000		45,0X85,0X24,7 FA.SKF			5	0,000	
80	0630.531.076	RETAINING RING	1		00.00.0000		60X3			5	0,020	
110	---	SHIM	1	C0100865 2E10	00.00.0000	00.00.0000	S= 1,10- 2,05(ABSTUFUNG:0, 05MM)			3	0,000	
---	0730.004.731	SHIM	1		00.00.0000		A=2,05			5	0,000	
---	0730.002.934	SHIM	1	C0100392 6F10	00.00.0000	00.00.0000	A=2,00			5	0,000	
---	0730.003.435	SHIM	1		00.00.0000		A=1,95			5	0,000	
---	0730.002.935	SHIM	1	C0100392 6F10	00.00.0000	00.00.0000	A=1,90			5	0,000	
---	0730.003.434	SHIM	1		00.00.0000		A=1,85			5	0,000	
---	0730.002.936	SHIM	1	C0100392 6F10	00.00.0000	00.00.0000	A=1,80			5	0,000	
---	0730.003.433	SHIM	1		00.00.0000		A=1,75			5	0,000	
---	0730.002.937	SHIM	1	C0100392 6F10	00.00.0000	00.00.0000	A=1,70			5	0,000	
---	0730.003.432	SHIM	1		00.00.0000		A=1,65			5	0,000	
---	0730.002.938	SHIM	1	C0100392 6F10	00.00.0000	00.00.0000	A=1,60			5	0,000	
---	0730.003.431	SHIM	1		00.00.0000		A=1,55			5	0,000	
---	0730.002.939	SHIM	1	C0100392 6F10	00.00.0000	00.00.0000	A=1,50			5	0,000	

VKF Incidence factor

OTK Optional technical kit

ID Identification (output code)

SP Supplier plant



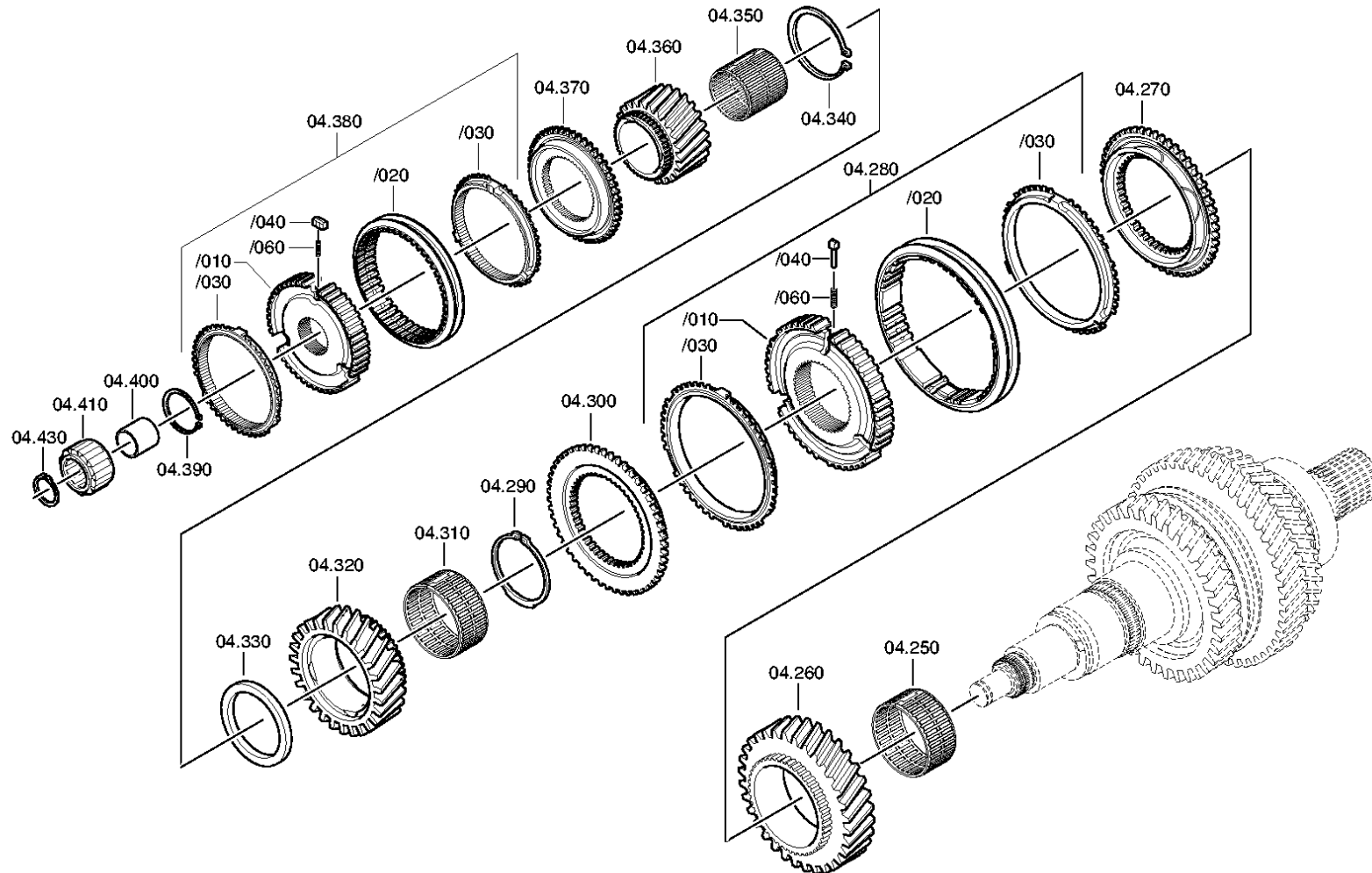
Pos.	Material number	Name	VKF	Amend. no.	Amend. start	Prod. no.	Material feature / tech. info.	OTK	External material no.	ID	Weight	SP
---	0730.003.430	SHIM	1		00.00.0000		A=1,45			5	0,000	
---	0730.002.940	SHIM	1	C0100392 6F10	00.00.0000	00.00.0000	A=1,40			5	0,000	
---	0730.003.429	SHIM	1		00.00.0000		A=1,35			5	0,000	
---	0730.002.941	SHIM	1	C0100392 6F10	00.00.0000	00.00.0000	A=1,30			5	0,000	
---	0730.004.706	SHIM	1		00.00.0000		A=1,25			5	0,000	
---	0730.002.942	SHIM	1	C0100392 6F10	00.00.0000	00.00.0000	A=1,20			5	0,000	
---	0730.004.705	SHIM	1		00.00.0000		A=1,15			5	0,000	
---	0730.002.943	SHIM	1	C0100392 6F10	00.00.0000	00.00.0000	A=1,10			5	0,000	

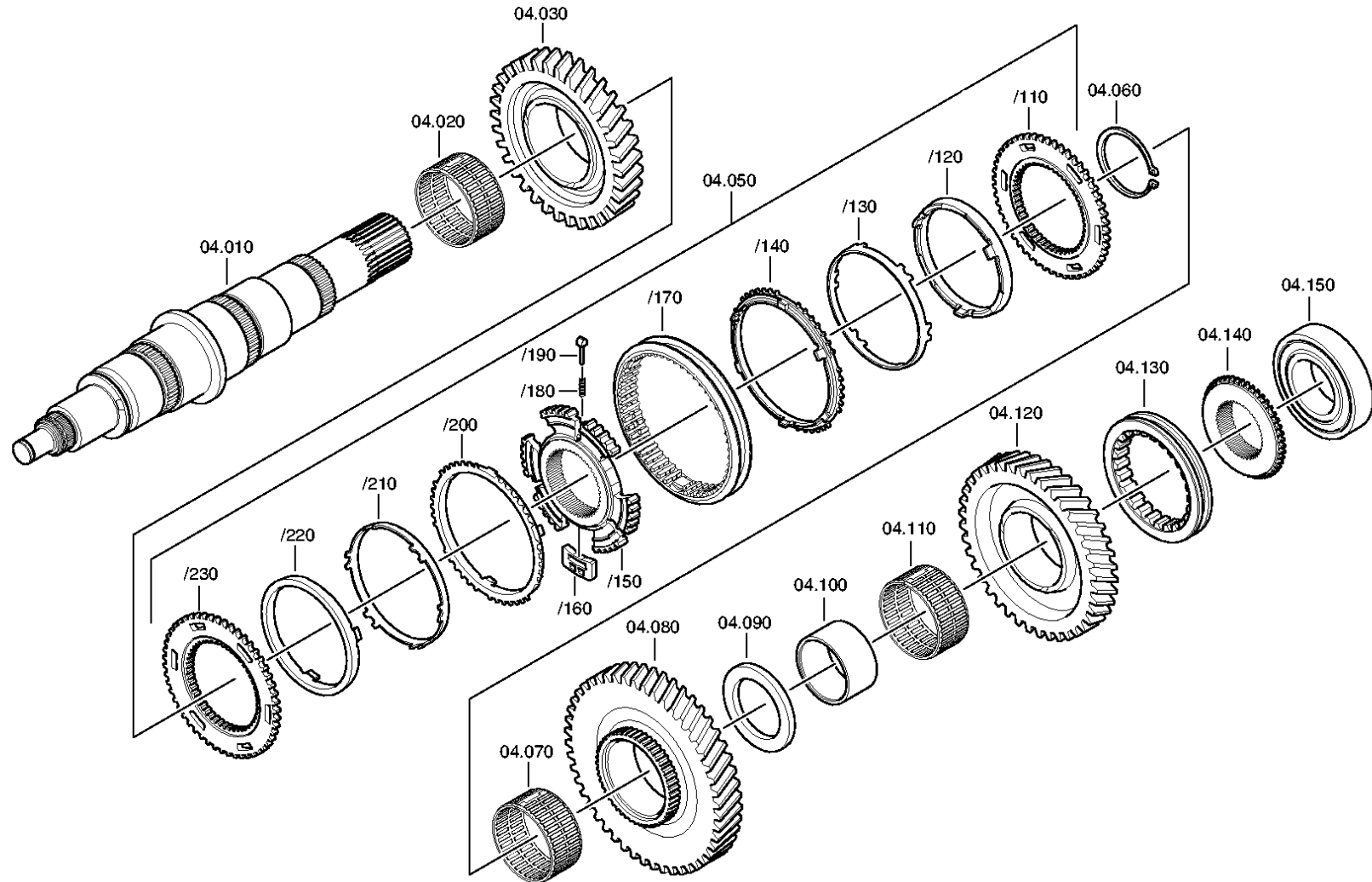
**VKF** Incidence factor

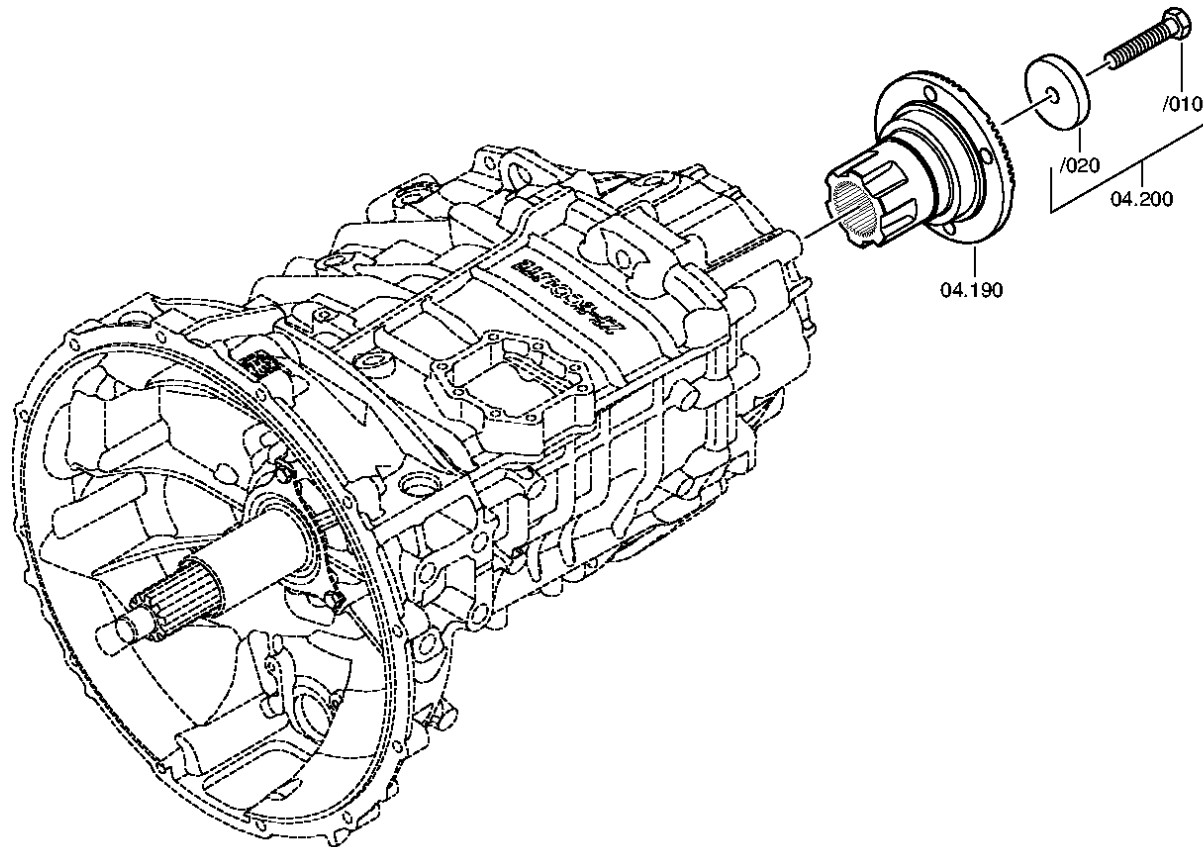
**OTK** Optional technical kit

**ID** Identification (output code)

**SP** Supplier plant









Pos.	Material number	Name	VKF	Amend. no.	Amend. start	Prod. no.	Material feature / tech. info.	OTK	External material no.	ID	Weight	SP
10	1346.304.107	MAIN SHAFT	1		00.00.0000		E2410			5	0,000	
20	0750.115.567	NEEDLE CAGE	1		00.00.0000		E2408 80,0X88,0X41,8			3	0,000	
30	1346.304.054	HELICAL GEAR	1		00.00.0000		E2410 G2			5	0,000	
50	1346.204.001	SYNCHRONIZER	1		00.00.0000		KPL.ZF-D*D=135/128 7,5			3	0,000	
/110	1346.304.092	CLUTCH DISC	1	C0100444 4E10	00.00.0000	00.00.0000	ZF-D 135/128			5	0,000	
/120	---	INNER RING	1	C0100439 8F10	00.00.0000	00.00.0000	D135/128			3	0,000	
---	1346.304.039	INNER RING	1		00.00.0000					5	0,000	
---	1346.304.032	INNER RING	1		00.00.0000		ZF-D135/128 7.5GR			5	0,000	
/130	1346.304.038	INTERMRING	1		00.00.0000		ZF-D135/128 MO-MASS 7.5GR			5	0,000	
/140	1346.304.033	OUTER RING	1		00.00.0000		ZF-D135/128 7.5GR			5	0,000	
/150	1346.304.091	SYNCHROBODY	1	C0100442 2E10	00.00.0000	00.00.0000	ZF-D 135/128			5	0,000	
/160	1312.304.159	COUPLING ELEMENT	3		00.00.0000					5	0,030	
/170	6002.305.994	SLIDING SLEEVE	1		00.00.0000					5	0,000	
/180	0732.040.409	COMPRSPRING	3		00.00.0000					5	0,002	
/190	1297.304.436	PRESSURE PIECE	3		00.00.0000					5	0,004	
/200	1346.304.033	OUTER RING	1		00.00.0000		ZF-D135/128 7.5GR			5	0,000	
/210	1346.304.038	INTERMRING	1		00.00.0000		ZF-D135/128 MO-MASS 7.5GR			5	0,000	
/220	---	INNER RING	1	C0100439 8F10	00.00.0000	00.00.0000	D135/128			3	0,000	
---	1346.304.039	INNER RING	1		00.00.0000					5	0,000	
---	1346.304.032	INNER RING	1		00.00.0000		ZF-D135/128 7.5GR			5	0,000	
/230	1346.304.092	CLUTCH DISC	1	C0100444 4E10	00.00.0000	00.00.0000	ZF-D 135/128			5	0,000	
60	0730.300.991	SNAP RING	1		00.00.0000		75X4 75X4			5	0,000	
70	0735.321.529	NEEDLE CAGE	1		00.00.0000		75,0X83,0X40,0 FA.INA			5	0,000	
80	1346.304.125	HELICAL GEAR	1	C0100121 3F10	00.00.0000	00.00.0000	E2410 G1			5	0,000	
90	0501.322.939	THRUST WASHER	1		00.00.0000					5	0,000	

VKF Incidence factor

OTK Optional technical kit

ID Identification (output code)

SP Supplier plant



Pos.	Material number	Name	VKF	Amend. no.	Amend. start	Prod. no.	Material feature / tech. info.	OTK	External material no.	ID	Weight	SP
100	0735.295.239	INNER RING	1		00.00.0000		66,0X40,0X75,0 FA.INA			5	0,000	
110	0735.321.529	NEEDLE CAGE	1		00.00.0000		75,0X83,0X40,0 FA.INA			5	0,000	
120	1346.304.167	HELICAL GEAR	1		00.00.0000		E2410 RG KLAUE			5	0,000	
130	1308.304.087	SLIDING SLEEVE	1		00.00.0000		RG-KLAUE			5	0,000	
140	1346.304.177	CLUTCH BODY	1	Z0000432 2210	16.06.2009	16.06.2009	RG-KLAUE E2410/E2408			5	0,000	
150	0735.330.799	BALL BEARING	1		00.00.0000		55,0X120,0X29,0 FA.SKF			5	0,000	
190	1346.304.086	OUTPUT FLANGE	1		00.00.0000		E2410/E2408 , D=155MM			5	0,000	
200	---	HEXAGON BOLT	1		00.00.0000		FLANSCHBEFESTIGUNG*E24 M14X1,5X75			3	0,000	
---	0636.100.541	HEXAGON BOLT	1	Z0000728 4710	31.12.2010	31.12.2010	M14X1,5X75			5	0,000	
---	0730.113.920	WASHER	1		00.00.0000		A=14,00 ABTR.FLANSCH			5	0,000	
250	0750.115.567	NEEDLE CAGE	1		00.00.0000		E2408 80,0X88,0X41,8			3	0,000	
260	1346.304.136	HELICAL GEAR	1		00.00.0000		E2410 G3			5	0,000	
270	1346.304.094	CLUTCH BODY	1	C0100442 9E10	00.00.0000	00.00.0000	ENTHALT.IN 1310 304 160(1)			5	0,000	
280	1346.204.005	SYNCHRONIZER	1		00.00.0000		KPL.ZF*BK131*3/4GG			3	0,000	
/10	1346.304.025	SYNCHROBODY	1		00.00.0000					5	0,000	
/20	1310.304.195	SLIDING SLEEVE	1		00.00.0000		ZF-BK131			5	0,000	
/30	1268.304.594	SYNCHRORING	2		00.00.0000		ZFBK 131			5	0,000	
/40	1297.304.436	PRESSURE PIECE	3		00.00.0000					5	0,004	
/60	0732.040.409	COMPRSPRING	3		00.00.0000					5	0,002	
290	0730.501.762	RETAINING RING	1		00.00.0000					5	0,000	
300	1346.304.093	CLUTCH BODY	1		00.00.0000		ENTHALT.IN 1310 304 160(1)			5	0,000	
310	0750.115.566	NEEDLE CAGE	1		00.00.0000		E2410G4 72,0X80,0X35,8			3	0,000	
320	1346.304.099	HELICAL GEAR	1		00.00.0000		E2410 G4			5	0,000	
330	0501.323.702	THRUST WASHER	1	C0100015 0F10	00.00.0000	00.00.0000	TIMKEN			5	0,000	
340	0730.300.992	SNAP RING	1		00.00.0000		70X4 70X4			5	0,000	
350	0750.115.565	NEEDLE CAGE	1		00.00.0000		E2410 50,0X56,0X53,8			3	0,000	

VKF Incidence factor

OTK Optional technical kit

ID Identification (output code)

SP Supplier plant



Pos.	Material number	Name	VKF	Amend. no.	Amend. start	Prod. no.	Material feature / tech. info.	OTK	External material no.	ID	Weight	SP
360	1346.304.048	HELICAL GEAR	1		00.00.0000		E2410 G6 OD			5	0,000	
370	1346.304.047	CLUTCH BODY	1		00.00.0000		E2410			5	0,000	
380	1346.204.004	SYNCHRONIZER	1		00.00.0000		KPL.ZF*B100III*5/6GG* STAHL			3	0,000	
/10	1346.304.118	SYNCHROBODY	1	C0100248 5F10	00.00.0000	00.00.0000	ZF-B 100 III			5	0,000	
/20	1333.304.061	SLIDING SLEEVE	1		00.00.0000		1/2G			5	0,000	
/30	1317.304.150	SYNCHRO RING	2		00.00.0000					5	0,000	
/40	1317.304.081	PRESSURE PIECE	3		00.00.0000					5	0,000	
/60	0732.042.510	COMPRSPRING	3		00.00.0000					5	0,000	
390	0630.531.050	RETAINING RING	1		00.00.0000		40X2,5			5	0,010	
400	0735.295.223	INNER RING	1		00.00.0000		25,0X30,0X29,0 FA.TIMKEN			5	0,000	
410	0735.358.346	ROLLER CAGE	1	C0100688 0E10	00.00.0000	00.00.0000	30,0X50,0X29,8 FA.TIMKEN			5	0,000	
430	0630.513.070	SNAP RING	1		00.00.0000					5	0,001	

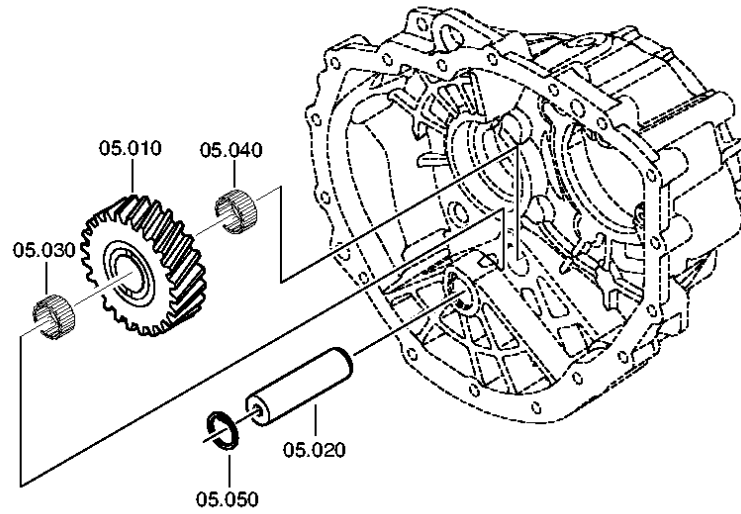
**VKF** Incidence factor

**OTK** Optional technical kit

**ID** Identification (output code)

**SP** Supplier plant







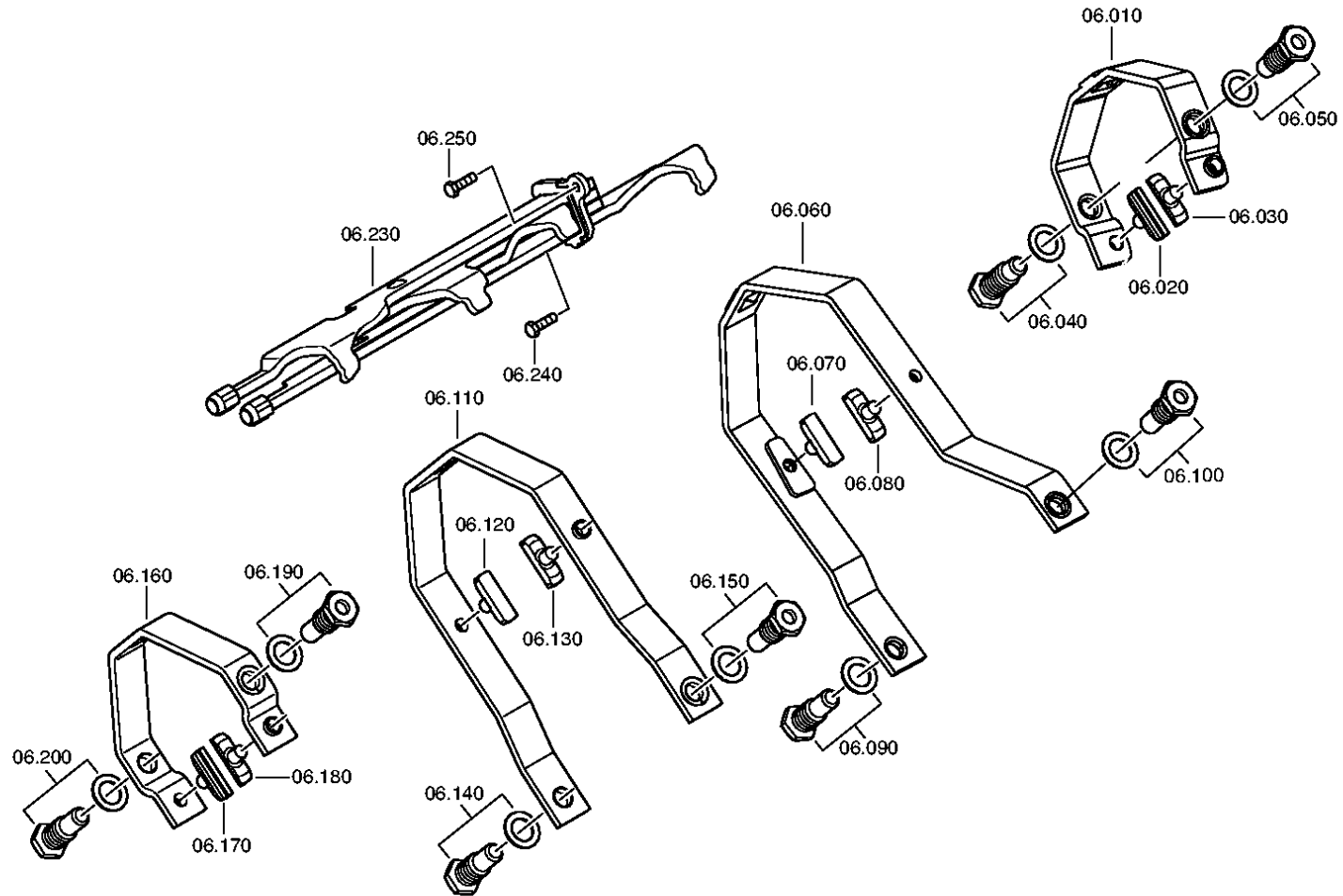
Pos.	Material number	Name	VKF	Amend. no.	Amend. start	Prod. no.	Material feature / tech. info.	OTK	External material no.	ID	Weight	SP
10	1346.305.057	REVERSE IDLER GEAR	1		00.00.0000		E2410 RG			5	0,000	
20	1346.305.039	REVERSE IDLER SHAFT	1	C0100442 4F10	00.00.0000	00.00.0000	E24			5	0,000	
30	0635.300.110	NEEDLE CAGE	1		00.00.0000		28X35X18			5	0,000	
40	0635.300.110	NEEDLE CAGE	1		00.00.0000		28X35X18			5	0,000	
50	0630.502.014	RETAINING RING	1		00.00.0000		28X1,2			5	0,002	

**VKF** Incidence factor

**OTK** Optional technical kit

**ID** Identification (output code)

**SP** Supplier plant





Pos.	Material number	Name	VKF	Amend. no.	Amend. start	Prod. no.	Material feature / tech. info.	OTK	External material no.	ID	Weight	SP
10	0501.217.826	GEAR SHIFT FORK	1		00.00.0000		KPL. RG KLAUE			5	0,000	
20	1290.306.423	SLIDING PAD	1		00.00.0000		ENTHALT.IN 1290 306 422(2)			5	0,000	
30	1290.306.423	SLIDING PAD	1		00.00.0000		ENTHALT.IN 1290 306 422(2)			5	0,000	
40	---	ARTICULATION BOLT	1		00.00.0000		O.INDUKT-HAERTUNG* LANGES GEWINDEM18X1,5			3	0,000	
---	1346.306.030	ARTICULATION BOLT	1		00.00.0000					5	0,000	
---	0730.300.093	SPRING WASHER	1		00.00.0000					5	0,000	
50	---	ARTICULATION BOLT	1		00.00.0000		O.INDUKT-HAERTUNG* LANGES GEWINDEM18X1,5			3	0,000	
---	1346.306.030	ARTICULATION BOLT	1		00.00.0000					5	0,000	
---	0730.300.093	SPRING WASHER	1		00.00.0000					5	0,000	
60	0501.217.827	GEAR SHIFT FORK	1		00.00.0000		KPL. 1/2			5	0,000	
70	1290.306.066	SLIDING PAD	1		00.00.0000					5	0,037	
80	1290.306.066	SLIDING PAD	1		00.00.0000					5	0,037	
90	---	ARTICULATION BOLT	1		00.00.0000		O.INDUKT-HAERTUNG M18X1,5			3	0,000	
---	1346.306.023	ARTICULATION BOLT	1		00.00.0000					5	0,000	
---	0730.300.093	SPRING WASHER	1		00.00.0000					5	0,000	
100	---	ARTICULATION BOLT	1		00.00.0000		O.INDUKT-HAERTUNG M18X1,5			3	0,000	
---	1346.306.023	ARTICULATION BOLT	1		00.00.0000					5	0,000	
---	0730.300.093	SPRING WASHER	1		00.00.0000					5	0,000	
110	0501.217.828	GEAR SHIFT FORK	1		00.00.0000		KPL. 3/4 E2410			5	0,000	
120	1290.306.066	SLIDING PAD	1		00.00.0000					5	0,037	
130	1290.306.066	SLIDING PAD	1		00.00.0000					5	0,037	
140	---	ARTICULATION BOLT	1		00.00.0000		O.INDUKT-HAERTUNG M18X1,5			3	0,000	

VKF Incidence factor

OTK Optional technical kit

ID Identification (output code)

SP Supplier plant



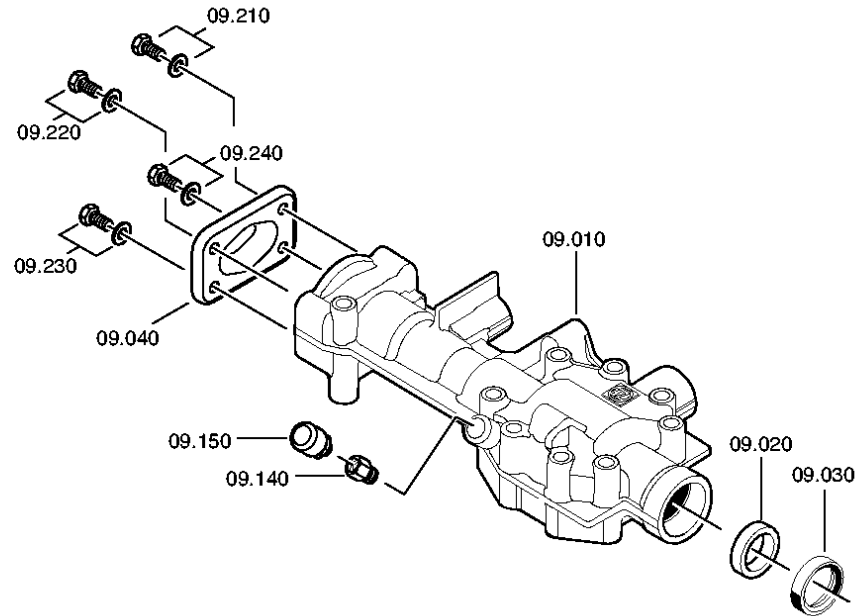
Pos.	Material number	Name	VKF	Amend. no.	Amend. start	Prod. no.	Material feature / tech. info.	OTK	External material no.	ID	Weight	SP
---	1346.306.023	ARTICULATION BOLT	1		00.00.0000					5	0,000	
---	0730.300.093	SPRING WASHER	1		00.00.0000					5	0,000	
150	---	ARTICULATION BOLT	1		00.00.0000		O.INDUKT-HAERTUNG M18X1,5			3	0,000	
---	1346.306.023	ARTICULATION BOLT	1		00.00.0000					5	0,000	
---	0730.300.093	SPRING WASHER	1		00.00.0000					5	0,000	
160	0501.217.830	GEAR SHIFT FORK	1		00.00.0000		KPL. 5/6 OD			5	0,000	
170	1290.306.423	SLIDING PAD	1		00.00.0000		ENTHALT.IN 1290 306 422(2)			5	0,000	
180	1290.306.423	SLIDING PAD	1		00.00.0000		ENTHALT.IN 1290 306 422(2)			5	0,000	
190	---	ARTICULATION BOLT	1		00.00.0000		O.INDUKT-HAERTUNG M18X1,5			3	0,000	
---	1346.306.023	ARTICULATION BOLT	1		00.00.0000					5	0,000	
---	0730.300.093	SPRING WASHER	1		00.00.0000					5	0,000	
200	---	ARTICULATION BOLT	1		00.00.0000		O.INDUKT-HAERTUNG M18X1,5			3	0,000	
---	1346.306.023	ARTICULATION BOLT	1		00.00.0000					5	0,000	
---	0730.300.093	SPRING WASHER	1		00.00.0000					5	0,000	
230	0501.217.832	DRAG LINK	1		00.00.0000		KPL. E2408/10			5	0,000	
240	0636.100.613	HEXAGON BOLT	1	Z0000706 7611	31.12.2010	31.12.2010	M6X20			5	0,000	
250	0636.100.613	HEXAGON BOLT	1	Z0000706 7611	31.12.2010	31.12.2010	M6X20			5	0,000	

VKF Incidence factor

OTK Optional technical kit

ID Identification (output code)

SP Supplier plant





Pos.	Material number	Name	VKF	Amend. no.	Amend. start	Prod. no.	Material feature / tech. info.	OTK	External material no.	ID	Weight	SP
10	1346.307.044	GEAR SHIFT HOUSING	1	C0100859 0E10	00.00.0000	00.00.0000	MGS			5	0,000	
20	0730.260.703	BUSH	1		00.00.0000		A=13,70			5	0,000	
30	---	SHAFT SEAL	1		00.00.0000		28X42X11			3	0,000	
---	0734.309.765	SHAFT SEAL	1		00.00.0000		28X42X11 FA.SKT			5	0,000	
40	1341.307.093	COVER	1	C0100774 9E10	00.00.0000	00.00.0000				5	0,000	
140	0731.300.041	THREADED BUSH	1	Z0000916 2110	31.12.2010	31.12.2010				5	0,000	
150	---	BREATHER	1		00.00.0000					3	0,000	
---	0501.202.797	BREATHER	1		00.00.0000		KPL.			5	30	
210	---	HEXAGON BOLT	1	Z0000789 1111	31.12.2010	31.12.2010	M8X20			3	0,000	
---	0636.100.796	HEXAGON BOLT	1	Z0000789 1120	08.09.2010	08.09.2010	M8X20			5	0,000	
---	0630.100.295	WASHER	1	Z0000715 8414	31.12.2010	31.12.2010				5	0,000	
220	---	HEXAGON BOLT	1	Z0000789 1111	31.12.2010	31.12.2010	M8X20			3	0,000	
---	0636.100.796	HEXAGON BOLT	1	Z0000789 1120	08.09.2010	08.09.2010	M8X20			5	0,000	
---	0630.100.295	WASHER	1	Z0000715 8414	31.12.2010	31.12.2010				5	0,000	
230	---	HEXAGON BOLT	1	Z0000789 1111	31.12.2010	31.12.2010	M8X20			3	0,000	
---	0636.100.796	HEXAGON BOLT	1	Z0000789 1120	08.09.2010	08.09.2010	M8X20			5	0,000	
---	0630.100.295	WASHER	1	Z0000715 8414	31.12.2010	31.12.2010				5	0,000	
240	---	HEXAGON BOLT	1	Z0000789 1111	31.12.2010	31.12.2010	M8X20			3	0,000	

VKF Incidence factor

OTK Optional technical kit

ID Identification (output code)

SP Supplier plant



Pos.	Material number	Name	VKF	Amend. no.	Amend. start	Prod. no.	Material feature / tech. info.	OTK	External material no.	ID	Weight	SP
---	0636.100.796	HEXAGON BOLT	1	Z0000789 1120	08.09.2010	08.09.2010	M8X20			5	0,000	
---	0630.100.295	WASHER	1	Z0000715 8414	31.12.2010	31.12.2010				5	0,000	

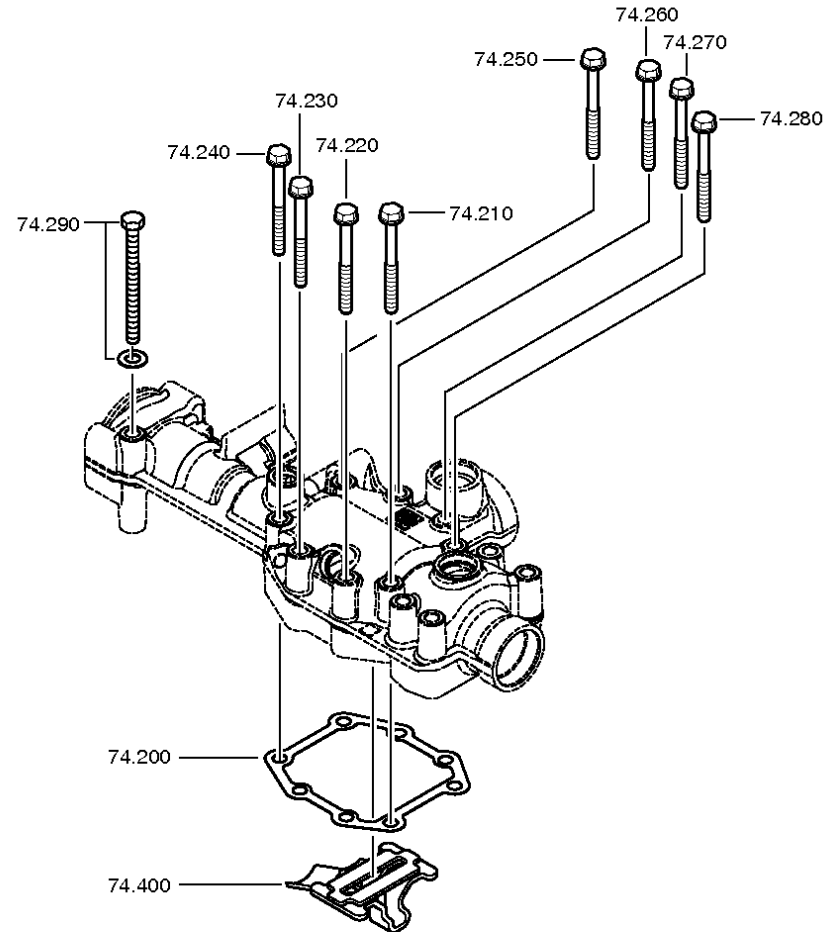
**VKF** Incidence factor

**OTK** Optional technical kit

**ID** Identification (output code)

**SP** Supplier plant







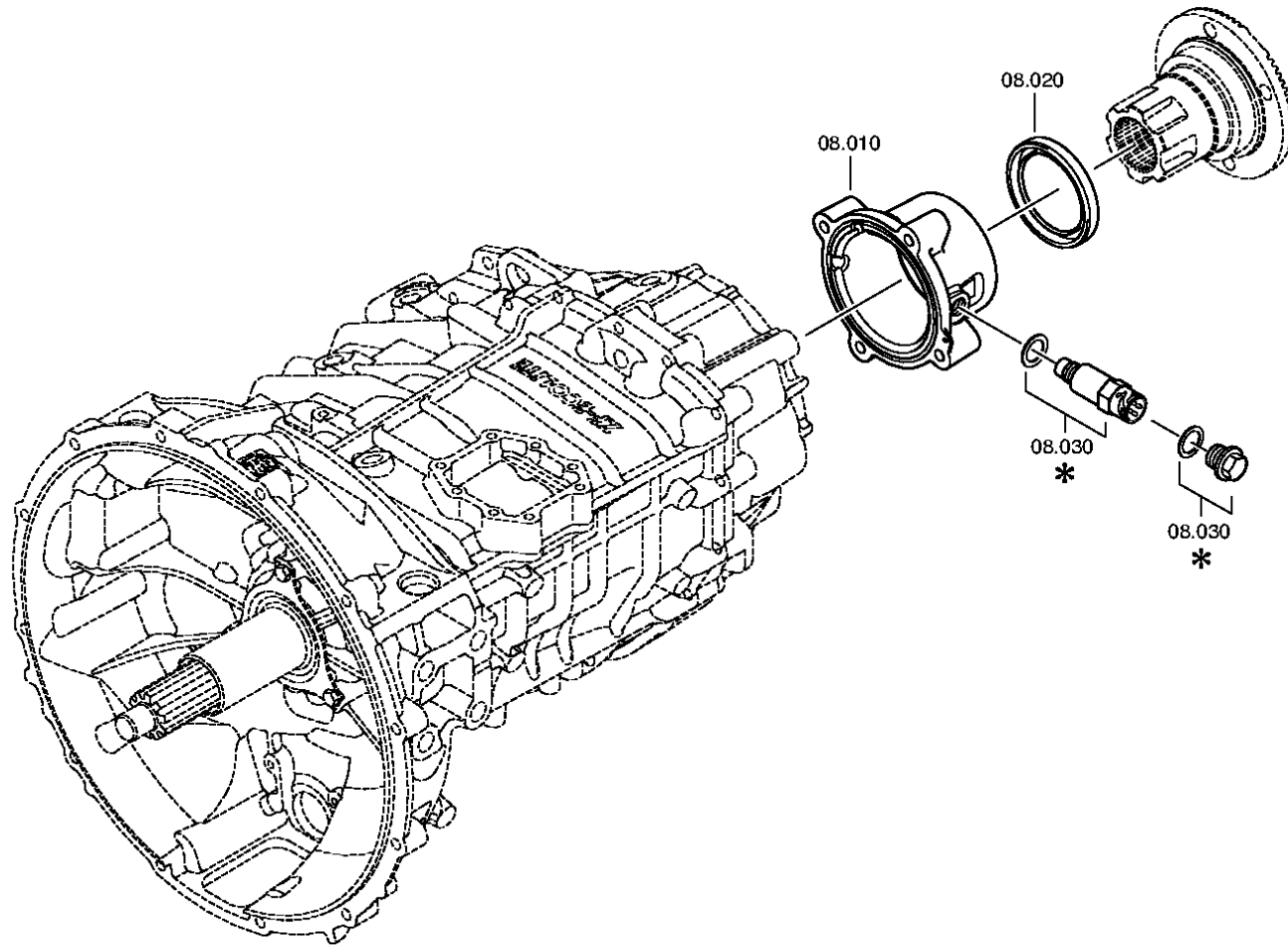
Pos.	Material number	Name	VKF	Amend. no.	Amend. start	Prod. no.	Material feature / tech. info.	OTK	External material no.	ID	Weight	SP
200	1346.307.016	GASKET	1		00.00.0000		SCHALTGEHAEUSE			5	0,000	
210	0736.300.137	HEXAGON BOLT	1	Z0000919 5410	01.01.2012	01.01.2012	M8X80 M8X80			5	0,000	
220	0736.300.137	HEXAGON BOLT	1	Z0000919 5410	01.01.2012	01.01.2012	M8X80 M8X80			5	0,000	
230	0736.300.137	HEXAGON BOLT	1	Z0000919 5410	01.01.2012	01.01.2012	M8X80 M8X80			5	0,000	
240	0736.300.137	HEXAGON BOLT	1	Z0000919 5410	01.01.2012	01.01.2012	M8X80 M8X80			5	0,000	
250	0736.300.137	HEXAGON BOLT	1	Z0000919 5410	01.01.2012	01.01.2012	M8X80 M8X80			5	0,000	
260	0736.300.137	HEXAGON BOLT	1	Z0000919 5410	01.01.2012	01.01.2012	M8X80 M8X80			5	0,000	
270	0736.300.137	HEXAGON BOLT	1	Z0000919 5410	01.01.2012	01.01.2012	M8X80 M8X80			5	0,000	
280	0736.300.137	HEXAGON BOLT	1	Z0000919 5410	01.01.2012	01.01.2012	M8X80 M8X80			5	0,000	
290	---	HEXAGON BOLT	1		00.00.0000		M8X100			3	0,000	
---	0636.100.932	HEXAGON BOLT	1	Z0000843 0010	31.12.2010	31.12.2010	M8X100			5	0,000	
---	0630.100.295	WASHER	1	Z0000715 8414	31.12.2010	31.12.2010				5	0,000	
400	1290.207.003	LOCKING PIECE	1		00.00.0000		KPL.KLT.CGS 1290+CGS/MGS			3	0,000	

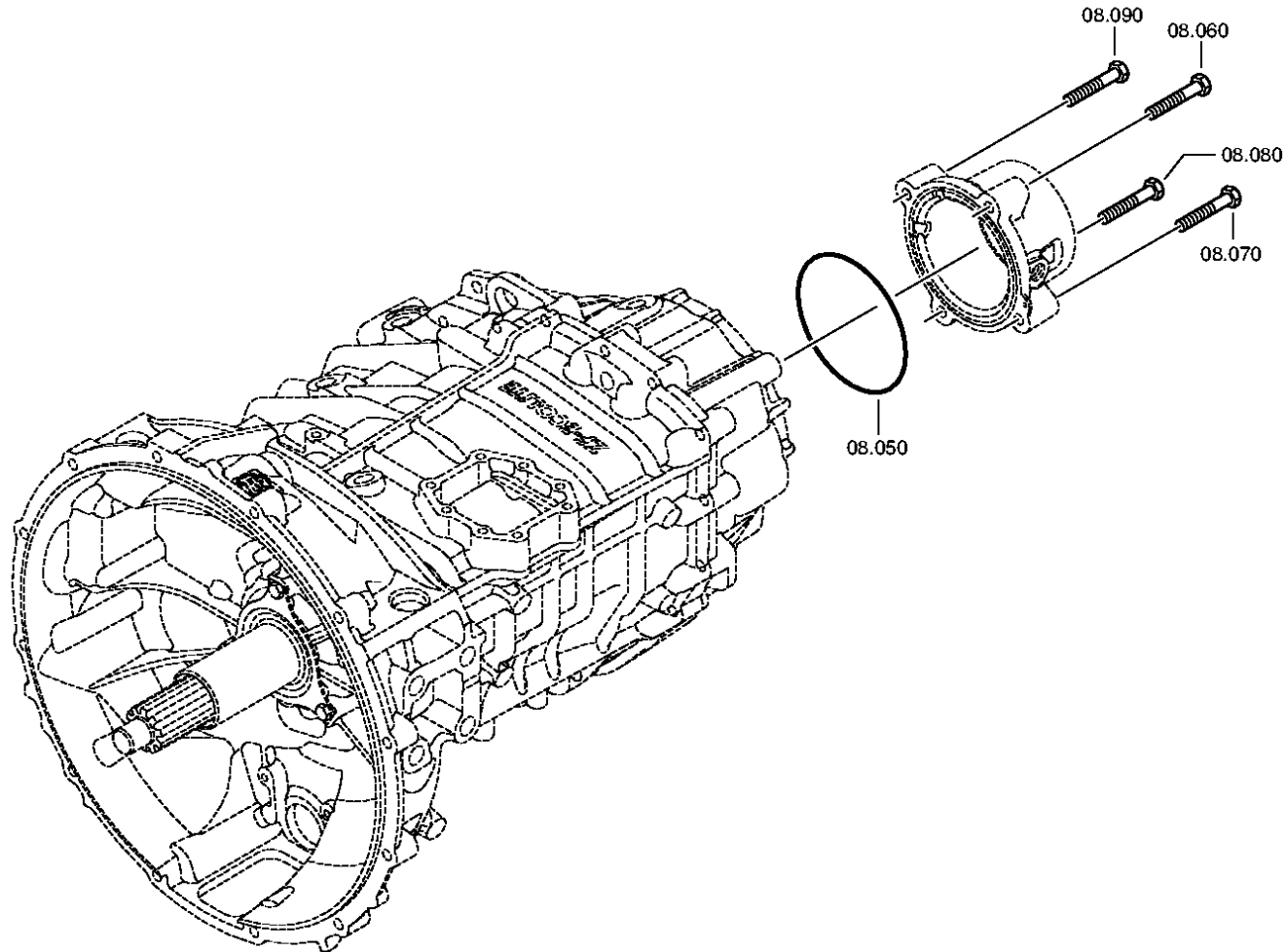
VKF Incidence factor

OTK Optional technical kit

ID Identification (output code)

SP Supplier plant







Pos.	Material number	Name	VKF	Amend. no.	Amend. start	Prod. no.	Material feature / tech. info.	OTK	External material no.	ID	Weight	SP
10	1346.308.002	SPEEDOMETER COVER	1	C0100993 6E10	00.00.0000	00.00.0000	DRUCKGUSS			5	0,000	
20	---	SHAFT SEAL	1		00.00.0000		80X100X10			3	0,000	
---	0750.111.334	SHAFT SEAL	1		00.00.0000		80X100X10			3	0,000	
30	---	PULSE SENSOR	1		00.00.0000		L=25,0*45N.M*O.DICHTRING *SCHUTZKAPPE*BAJONETT			3	0,000	
---	0501.210.856	PULSE SENSOR	1		00.00.0000					5	0,000	
---	0700.300.427	PROTECTING CAP	1		00.00.0000					5	0,005	
50	0634.306.308	O-RING	1		00.00.0000		128X3			5	4	
60	0636.016.405	HEXAGON BOLT	1	Z0000706 0114	01.01.2012	01.01.2012	M10X60			5	0,000	
70	0636.016.405	HEXAGON BOLT	1	Z0000706 0114	01.01.2012	01.01.2012	M10X60			5	0,000	
80	0636.016.405	HEXAGON BOLT	1	Z0000706 0114	01.01.2012	01.01.2012	M10X60			5	0,000	
90	0636.016.405	HEXAGON BOLT	1	Z0000706 0114	01.01.2012	01.01.2012	M10X60			5	0,000	

VKF Incidence factor

OTK Optional technical kit

ID Identification (output code)

SP Supplier plant



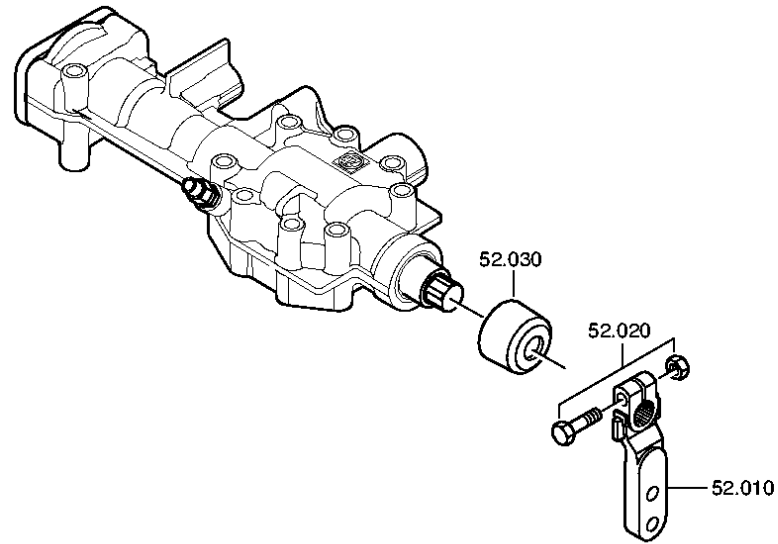
Pos.	Material number	Name	VKF	Amend. no.	Amend. start	Prod. no.	Material feature / tech. info.	OTK	External material no.	ID	Weight	SP
10	0730.301.376	WASHER	1	Z0000891 7410	31.12.2010	31.12.2010				5	0,000	
40	0730.301.374	WASHER	1	Z0000891 7310	31.12.2010	31.12.2010	A=2,00 A=2,00			5	0,000	
50	0630.532.138	V-RING	1		00.00.0000					5	0,000	
80	0730.301.377	WASHER	1	Z0000891 8410	31.12.2010	31.12.2010	A=2,00 28,1X39,0X2,0			5	0,000	
100	0630.502.022	RETAINING RING	1		00.00.0000		40X1,75			5	4,800	
110	0732.040.444	COMPRSPRING	1		00.00.0000					5	30	
120	0732.040.022	COMPRSPRING	1		00.00.0000					5	0,000	

**VKF** Incidence factor

**OTK** Optional technical kit

**ID** Identification (output code)

**SP** Supplier plant





Pos.	Material number	Name	VKF	Amend. no.	Amend. start	Prod. no.	Material feature / tech. info.	OTK	External material no.	ID	Weight	SP
10	1346.307.026	GEAR SHIFT LEVER	1		00.00.0000		U469			5	0,000	
20	---	BOLT+NUT	1		00.00.0000		M10X65			3	0,000	
---	0636.010.593	HEXAGON BOLT	1		00.00.0000		M10X65			5	47	
---	0637.006.120	HEXAGON NUT	1		00.00.0000		M10			5	0,010	
30	1290.307.066	PROTECTING CAP	1		00.00.0000		S.-WELLE VIER GASSEN			5	0,000	

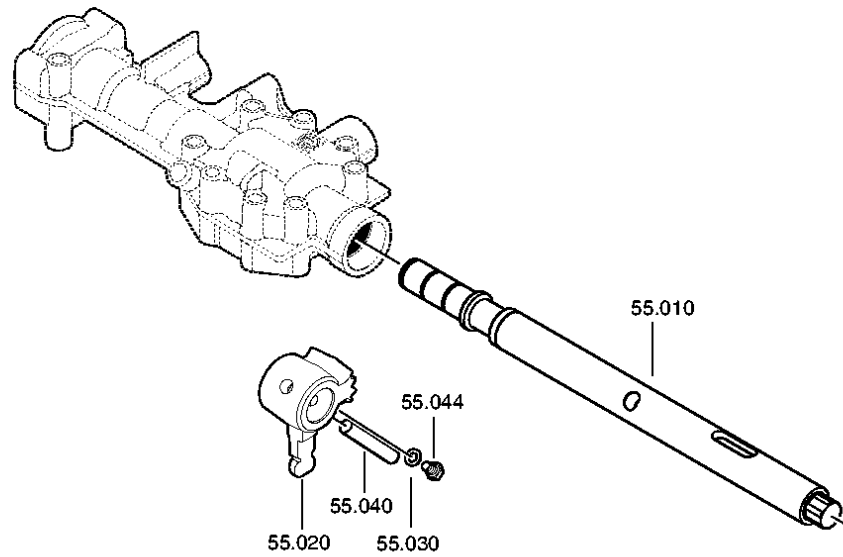
**VKF** Incidence factor

**OTK** Optional technical kit

**ID** Identification (output code)

**SP** Supplier plant







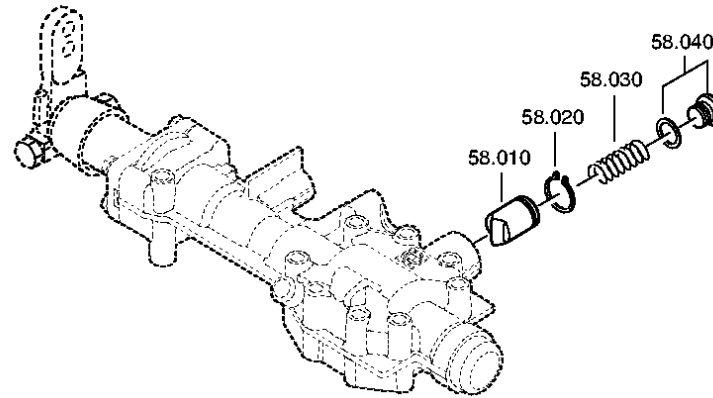
Pos.	Material number	Name	VKF	Amend. no.	Amend. start	Prod. no.	Material feature / tech. info.	OTK	External material no.	ID	Weight	SP
10	1346.307.042	GEAR SHIFT SHAFT	1		00.00.0000		MGS LHD			5	0,000	
20	1346.307.048	DRIVER	1	C0100859 0E10	00.00.0000	00.00.0000	MGS RL AND LL			5	0,000	
30	0630.003.005	WASHER	1		00.00.0000					5	0,000	
40	0631.315.522	CYLINDRICAL PIN	1		00.00.0000		10X45			5	0,000	
44	---	HEXAGON BOLT	1		00.00.0000		M6X10			3	0,000	
---	0636.015.032	HEXAGON BOLT	1		00.00.0000		M6X10			5	4	

**VKF** Incidence factor

**OTK** Optional technical kit

**ID** Identification (output code)

**SP** Supplier plant





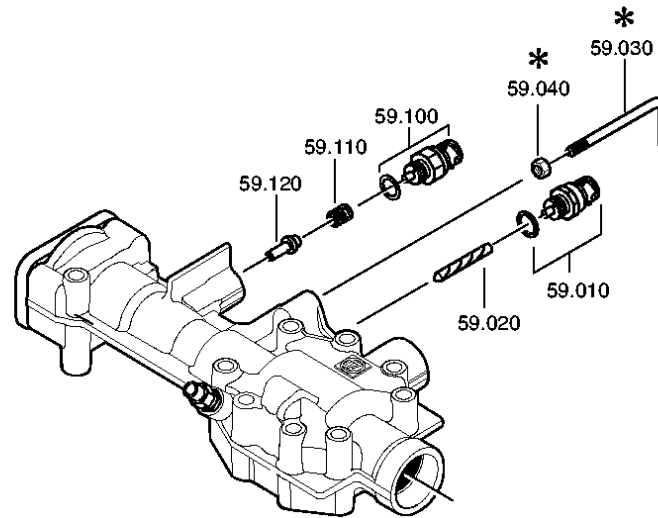
Pos.	Material number	Name	VKF	Amend. no.	Amend. start	Prod. no.	Material feature / tech. info.	OTK	External material no.	ID	Weight	SP
10	1346.307.051	LOCKING PIN	1	C0100861 6E10	00.00.0000	00.00.0000	MGS LHD UND RHD			5	0,000	
20	---	RETAINING RING	1		00.00.0000		S= 1,35- 1,85(ABSTUFUNG:0, 10MM)			3	0,000	
---	0730.501.805	RETAINING RING	1		00.00.0000		A=1,85			5	0,000	
---	0630.501.367	RETAINING RING	1		00.00.0000		20X1,75			5	0,000	
---	0630.501.368	RETAINING RING	1		00.00.0000		20X1,65			5	0,000	
---	0630.501.369	RETAINING RING	1		00.00.0000		20X1,55			5	0,000	
---	0630.501.376	RETAINING RING	1		00.00.0000		20X1,45			5	0,000	
---	0630.501.377	RETAINING RING	1		00.00.0000		20X1,35			5	0,000	
30	0732.042.991	COMPRSPRING	1		00.00.0000		RASTIERG.O.INT.SERVO 6G			5	0,000	
40	---	SCREW PLUG	1		00.00.0000		100N.M*DICHTRING M30X1,5			3	0,000	
---	0636.302.066	SCREW PLUG	1		00.00.0000		M30X1,5			5	0,088	
---	0634.801.097	SEALING RING	1		00.00.0000		30X36			5	0,019	

VKF Incidence factor

OTK Optional technical kit

ID Identification (output code)

SP Supplier plant





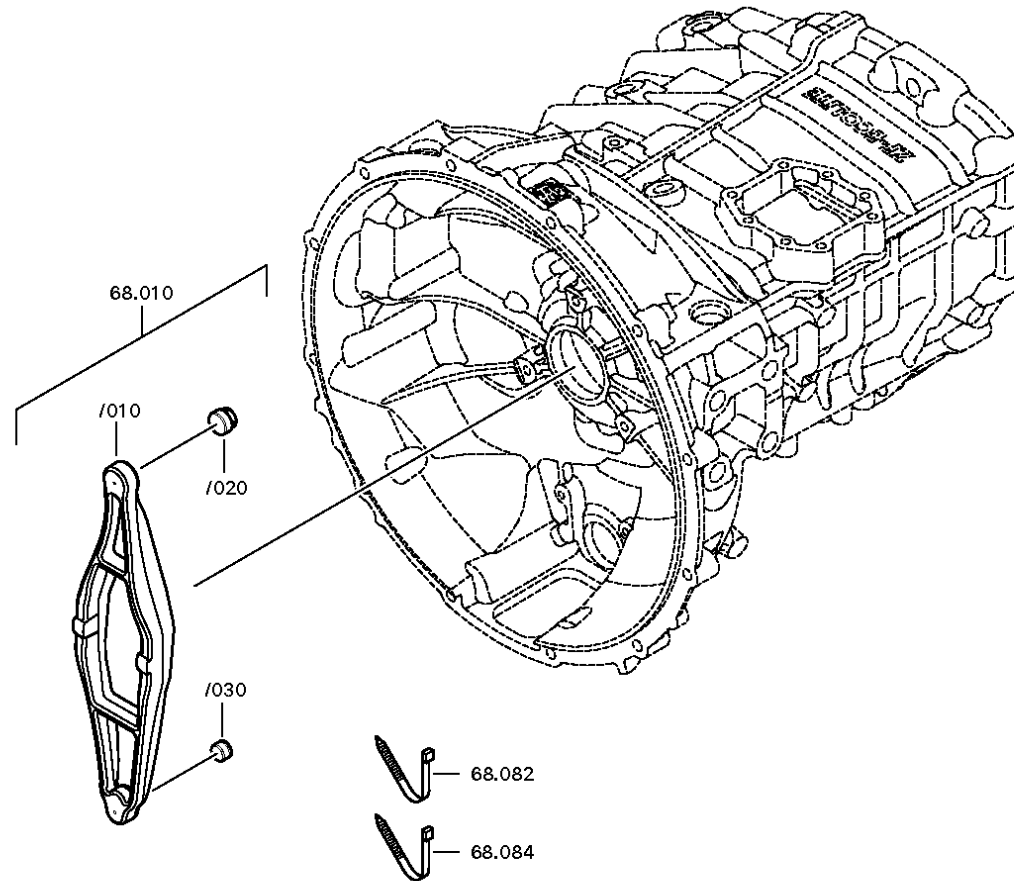
Pos.	Material number	Name	VKF	Amend. no.	Amend. start	Prod. no.	Material feature / tech. info.	OTK	External material no.	ID	Weight	SP
10	---	SWITCH	1		00.00.0000		OEFF*45N.M*DICHTRING* BAJONETT*SCHUTZKAPPE			3	0,000	
---	0501.216.474	SWITCH	1		00.00.0000		KPL.			5	0,050	
---	0634.801.062	SEALING RING	1		00.00.0000		18X24			5	0,001	
---	0700.300.427	PROTECTING CAP	1		00.00.0000					5	0,005	
20	0731.201.759	PIN	1		00.00.0000		ENTHALT.IN 0731 201 445(2)			5	0,000	
30	1316.307.022	BRACKET	1		00.00.0000					5	0,000	
40	0637.006.280	HEXAGON NUT	1	Z0000728 2715	01.01.2012	01.01.2012	M8			5	0,000	
100	---	SWITCH	1		00.00.0000		SCHL*45N.M*DICHTRING* BAJONETT*SCHUTZKAPPE			3	0,000	
---	0501.210.058	SWITCH	1		00.00.0000		KPL.			5	0,000	
---	0634.801.062	SEALING RING	1		00.00.0000		18X24			5	0,001	
---	0700.300.427	PROTECTING CAP	1		00.00.0000					5	0,005	
110	0732.042.990	COMPRSPRING	1		00.00.0000					5	0,000	
120	1346.307.020	BOLT	1		00.00.0000					5	0,000	

**VKF** Incidence factor

**OTK** Optional technical kit

**ID** Identification (output code)

**SP** Supplier plant





Pos.	Material number	Name	VKF	Amend. no.	Amend. start	Prod. no.	Material feature / tech. info.	OTK	External material no.	ID	Weight	SP
10	6060.268.030	RELEASE FORK	1		00.00.0000		KPL. I=2,05			3	0,000	
/10	6060.368.043	RELEASE FORK	1		00.00.0000		I=2,05			5	0,000	
/20	0501.324.061	BALL CUP	1		00.00.0000					5	0,000	
/30	0501.315.159	BALL CUP	1		00.00.0000		KS12-18-12			5	0,000	
82	0659.160.033	CABLE CLIP	1	Z0000746 0510	15.04.2010	15.04.2010				5	0,002	
84	0659.160.033	CABLE CLIP	1	Z0000746 0510	15.04.2010	15.04.2010				5	0,002	

**VKF** Incidence factor

**OTK** Optional technical kit

**ID** Identification (output code)

**SP** Supplier plant