



Spare Parts Catalog

S 5-42 (Current date: 11.12.2012)

Material number: 1307.050.094

ZF Friedrichshafen AG

Hauptverwaltung

80038 Friedrichshafen

Deutschland

Telefon: +49 7541 77-0

Telefax: +49 7541 77-908000

www.zf.com

zuständiges Werk:

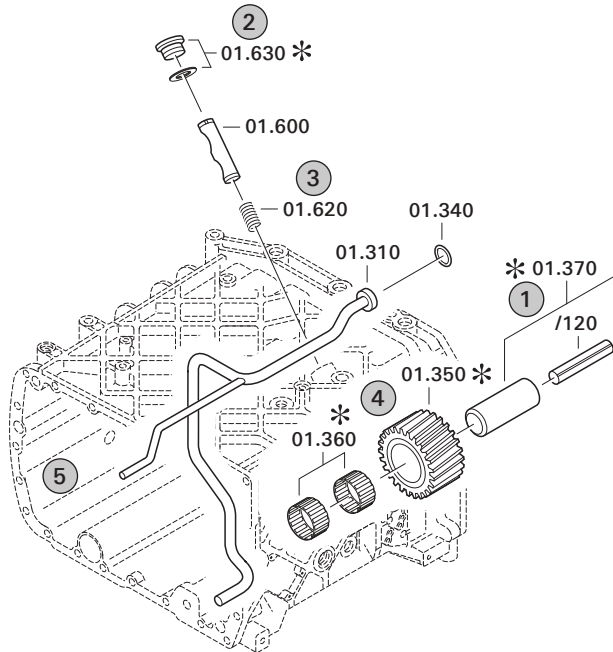
Friedrichshafen

Notes relating to the spare parts catalog

Setup of the spare parts catalog

- Cover sheet
- Technical Cover (only in SDM print)
- Overview of figures
- Figure
- Associated parts list
- Next figure
- Associated parts list
- ...

Figure and parts list



Overview of figures

Bildtafel Figure	Sachnummer Product number	Benennung (Description)	Technische Info Technical info	Description (Benennung)	Menge Quantity	Einheit Unit
068.08.17	1316.170.001	AUSLEGER	WL	SHIFT TURRET	1	Stk
068.08.06	1316.170.031	DECKEL	WL*H-H *VM	COVER	1	Stk
068.08.14	1316.170.808	DECKEL	WL*AUSL+GEH*H-H*HF160N	COVER	1	Stk
08	1316.170.441	ANSCHLUSSTEILE	WL*NG-VORB*RG-SCHL*168N *BAJONETT	CONNECTING PARTS	1	Stk

The "gap" indicates that there is no separate graphics panel (poster) for this assembly
The parts of this assembly are shown with the same mid-section number on the figure

1 Positions and subpositions

Pos.	Sachnummer Product number	Benennung (Description)	Technische Info Technical info	Description (Benennung)	Menge Quantity	Einheit Unit
0370	1315.201.054	RUECKLAUFBOLZEN	KPL.16S151*SG*L= 79	REV.IDLER SHAFT	1	Stk
/0120	0631.329.293	SPANNSTIFT		SLOT. PIN	1	Stk

Positions marked with "/" are the individual items of a completion
For example: Position 0370 contains a centering pin with the position /0120

2 Combinations with standardized parts

Pos.	Sachnummer Product number	Benennung (Description)	Technische Info Technical info	Description (Benennung)	Menge Quantity	Einheit Unit
0630		VERSCHL.SCHR.		SCREW PLUG	1	Stk
	0636.302.067	VERSCHL.SCHR.		SCREW PLUG	1	Stk
	0634.801.249	DICHTRING	A 26 X 31	SEALING RING	1	Stk

The parts list shows the components included in the combination of standardized parts

3 Depiction of position/item number on the figure and in the parts list

01.620 - on the figure 01 relates to the assembly in which the position is included. Due to program-related reasons, it is shown on the figure.

0620 - in the parts list

Pos.	Sachnummer Product number	Benennung (Description)	Technische Info Technical info	Description (Benennung)	Menge Quantity	Einheit Unit
0620	0732.040.736	DRUCKFEDER		COMPRESSION SPRING	1	Stk

4 *-Positions

Positions marked with an * are optional i.e. inclusion in the parts list is not mandatory.
The following note is shown on the figure

je nach Stücklistenausführung
depending on spec. number
*
suivant la nomenclature
secondo la distinta base

5 Parts, dotted display

Parts with dotted display on the figure are only used for orientation of other parts



Pos.	Information	Amendment number
001	Use case -----	
002	Customer MAN Nutzfahrzeuge	
003	City Muenchen	
004	DUNS 31-794-2514	
005	Vehicle / Apparatus -----	
006	Sales Name L2000	
007	Manufacturer MAN Nutzfahrzeuge	
008	Engineering Name	
009	Product Use TRUCK	
010	Vehicle/Hardware Type ROAD TRACTOR	
011	SOP	
012	Engine	
013	Sales Designation	
014	Manufacturer MAN	
015	Eng.Displ.	
016	Cylinder	
017	Nom. power 118 kW	
018	RPM at nom. power 2400 1/min	
019	Nom. torque 580 Nm	
020	RPM at nom. torque 1600 1/min	
021	Classification use case -----	
022	APPROVAL NOTE 1 ERSTEINBAU*UEBERPRUEFUNG ERFORDERLICH	
026	DESIGNATION, CLUTCH MFZ330	
027	MANUFACTURER, CLUTCH ZF-SACHS	
032	DYNAMIC TYRE RADIUS 416 mm	
033	REAR AXLE RATIO 3.45	
037	PERMISS.GROSS VEHICLE WEIGHT 11 t	
038	PERMISS.GROSS COMBIN.WEIGHT 17 t	
043	Product description -----	
044	INSTALLATION POS TRANSMISSION VERTICAL	
045	TRANSMISSION ATTACHMENT FLANGE-MOUNTED	
046	RATIO, BOTTOM GEAR 5.72	



Pos.	Information	Amendment number
047	RATIO, TOP GEAR .76	
048	SET OF RATIOS SG	
049	RATIO, 1ST GEAR 5.72	
050	RATIO, 2ND GEAR 2.94	
051	RATIO, 3RD GEAR 1.61	
052	RATIO, 4TH GEAR 1	
053	RATIO, 5TH GEAR .76	
054	RATIO, 1ST GEAR REVERSE 5.24	
055	DESIGN, SHIFT SYSTEM TURNING SHAFT	
056	POSITION, GEAR SHIFT SYSTEM LEFT HAND	
058	DESIGN, SEPARATING CLUTCH FULL-SYNCHRONIZED	
059	REFERENCE LENGTH INPUT SHAFT 78 mm	
060	STANDARD TYPE INPUT SHAFT SAE	
061	NUMBER OF WEDGES INPUT SHAFT 10	
064	VERSION OF INPUT SHAFT FORM C	
065	NOMINAL DIAMETER INPUT SHAFT 1.5 in	
079	HINWEIS ZU AUSRUECKLAGERFL CENTRAL RELEASE	
082	DESIGN BEARING OUTPUT STANDARD SUSPENSION	
083	OUTER DIA. OUTPUT FLANGE RA 120 mm	
085	NO.OF BORES OUTPUT FLANGE HA1 4	
086	BORE DIA. OUTPUT FLANGE RA 11 mm	
089	REF. LENGTH OUTPUT FLANGE RA 619 mm	
093	DIMENSION SHIFT TURRET DIST. 240 mm	
094	MEAS. LOC. SHIFT TURRET DIST. SHIFT LEVER OUTSIDE EDGE	
097	RADIUS 1 SHIFT LEVER 105 mm	
105	LEVER POSITION SHIFTING OUTPUT C	
112	GEAR SHIFT LEVER ANGLE EPSILON 24 GRAD	
116	SELECTION PATTERN VARIANT INSTALLATION DRAWING	
119	SWITCH, REVERSE GEAR y	
120	DESIGN, RG (REV.GEAR) SWITCH CLOSING	
121	NOTE ON SWITCH, REVERSE GEAR GEAR SHIFT RAIL	
164	NO PULSES PULSE SENSOR TM H70 6 IMP/U	



Pos.	Information	Amendment number
168	NOTE ASS. POS PULSE SENSOR H70 PREPARED	
198	OIL CAPACITY, GEARBOX 3.2 dm3	
201	OIL GRADE PERMISSIBLE ACC. TO TE-ML02	
203	COLOR NOT	
207	CODING OUTER CONSERVATION KA1	
208	CODING INNER CONSERVATION KI1	
209	SCOPE OUTER CONSERVATION T	
210	CONSERVATION SPECIFICATION ZFN 916	
211	Documents -----	
212	SCHALTGETRIEBE Drawing 1307.050.701	
213	SCHALTGETRIEBE Drawing 1307.600.115	
214	Alias ID -----	
215	MAN Nutzfahrzeuge 81.32002-6924	

Assembly group overview

Material number: 1307.050.094

S 5-42 (Current date: 11.12.2012) /

Page 1 from 1



Graphics	Pos.	Material number	Name	Quantity	Amend. no.	Techn. Info.
067.01.12-1	110	1307.101.118	GEARBOX HOUSING	1		
067.02.07-1	130	1307.102.053	INPUT SHAFT	1		
067.03.01-1	160	1307.103.021	LAYSHAFT	1		
067.04.04-1	200	1307.104.201	MAIN SHAFT	1		
067.04.82-1	210	1307.104.803	MAIN SHAFT	1		
067.05.01-1	220	1307.105.002	RETURN	1		
067.06.05-1	230	1307.106.046	GEAR SHIFT SYSTEM	1		
067.06.40-1	238	1307.106.422	CONNECTING PARTS	1		
067.07.01-1	280	1307.107.800	GEAR SHIFT HOUSING	1		
067.07.01-1	900	1307.107.008	GEAR SHIFT HOUSING	1		
067.07.01-1	910	1307.107.022	GEAR SHIFT SHAFT	1		

Plant

Page 1 from 1

Material number: 1307.050.094

Plant: 067.01.12-1

Material-assembly-group-no: 1307.101.118

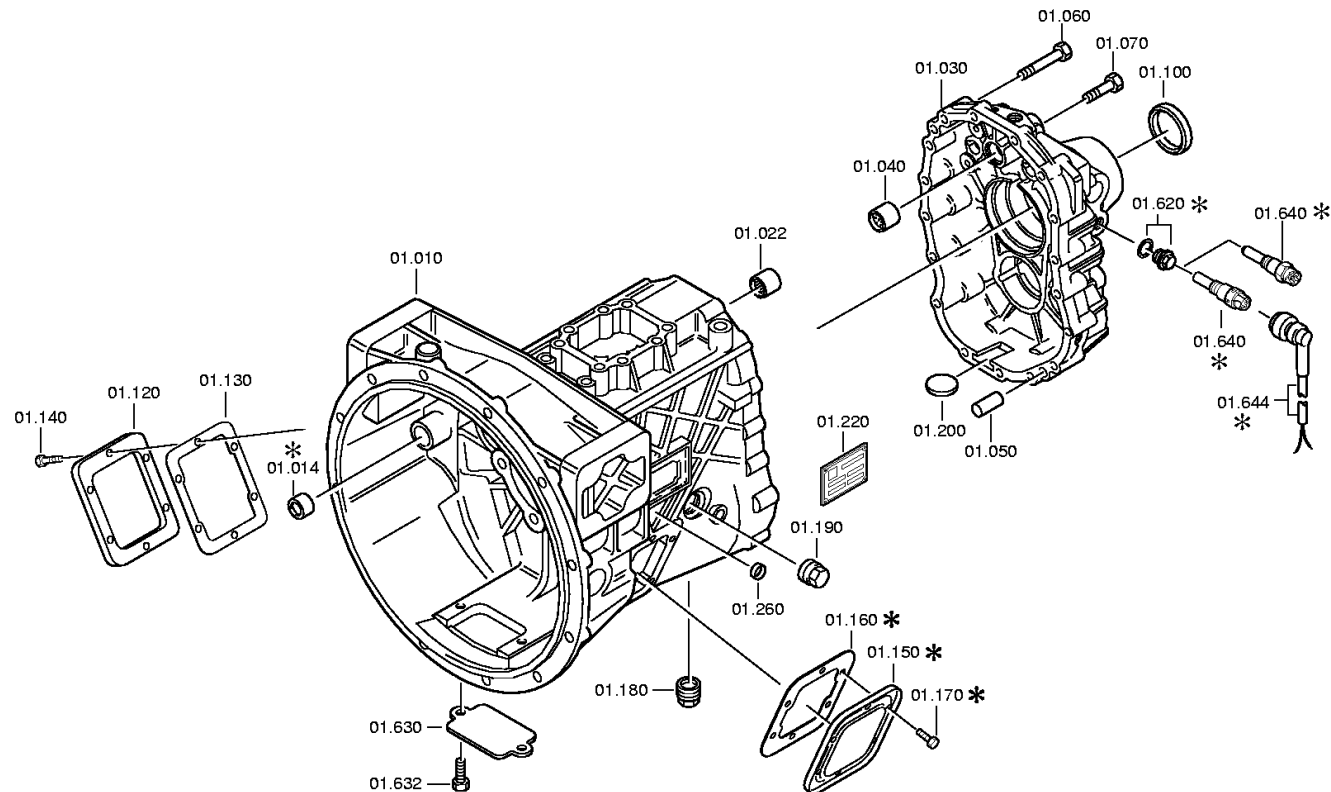
S 5-42 (Current date: 11.12.2012) /

GEARBOX HOUSING



Bildtafel:
Figure: 067.01.12
Figure:
Figura:

je nach Stücklistenausführung
depending on spec. number
* suivant la nomenclature
secondo la distinta base



Parts list

Page 1 from 2

Material number: 1307.050.094

S 5-42 (Current date: 11.12.2012) /

Plant: 067.01.12-1

Material-assembly-group-no: 1307.101.118



Pos.	Material number	Customer material	Name	Quantity	ME	Amend. no.	Techn. Info.	Weight	Rep kit	Alternative material
10	1307.201.054		HOUSING	1			KPL.	0,000		
22	0750.115.238		BALL SLEEVE	1			18,0X24,0X24,0	0,000		
30	1307.301.253		OUTPUT HOUSING	1				0,000		
40	0750.115.238		BALL SLEEVE	1			18,0X24,0X24,0	0,000		
50	0631.306.232		CYLINDRICAL PIN	2			12X24	0,000		
60	0636.011.757	REPLACEMENT FOR 0636.010.374	HEXAGON BOLT	15		Z0000705131 2	M8X55	0,000		
70	0636.015.277		HEXAGON BOLT	2			M8X35	15		
100	0734.319.652		SHAFT SEAL	1		C01005077B 10	50X65X8	0,000		
120	1324.301.165		COVER	1		Z0000963311 2		0,000		
130	1290.301.140		GASKET	1			ENTHALT.IN 1290 301 071(1)	0,000		
140	0636.015.445		HEXAGON BOLT	6			M10X22	0,003		
150	1324.301.165		COVER	1		Z0000963311 2		0,000		
160	1290.301.140		GASKET	1			ENTHALT.IN 1290 301 071(1)	0,000		
170	0636.015.445		HEXAGON BOLT	6			M10X22	0,003		
180	---		SCREW PLUG	1			50N.M*O.DICHTRING M24X1,5	0,000		
---	0736.303.005	8 8683 0	SCREW PLUG	1				0,000		

Parts list

Page 2 from 2

Material number: 1307.050.094

S 5-42 (Current date: 11.12.2012) /

Plant: 067.01.12-1

Material-assembly-group-no: 1307.101.118



Pos.	Material number	Customer material	Name	Quantity	ME	Amend. no.	Techn. Info.	Weight	Rep kit	Alternative material
190	---		SCREW PLUG	1			50N.M*O.DICHTRING M24X1,5	0,000		
---	0736.303. 005	8 8683 0	SCREW PLUG	1				0,000		
200	1048.301. 010		MAGNET	1				0,000		
220	0730.365. 260		TYPE PLATE	1				0,000		
260	0630.100. 029		SEALING CAP	1		Z0000716601 3		0,000		
630	1307.301. 224		COVER	1		C01000653A 10		0,000		
632	0636.100. 561	REPLACEMENT FOR 0636.015.403	HEXAGON BOLT	2		Z0000707311 1	M5X10	0,000		

Plant

Page 1 from 1

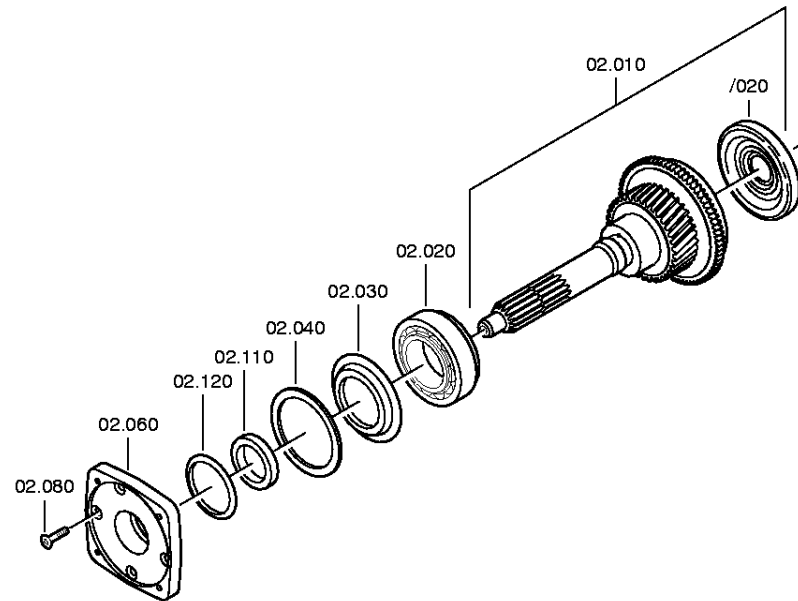
Material number: 1307.050.094

Plant: 067.02.07-1

Material-assembly-group-no: 1307.102.053

S 5-42 (Current date: 11.12.2012) /

INPUT SHAFT



Parts list

Page 1 from 2

Material number: 1307.050.094

Plant: 067.02.07-1

Material-assembly-group-no: 1307.102.053

S 5-42 (Current date: 11.12.2012) /



Pos.	Material number	Customer material	Name	Quantity	ME	Amend. no.	Techn. Info.	Weight	Rep kit	Alternative material
10	1307.202.160		INPUT SHAFT	1		C01006083A 10	KPL.L=212*SAE 1 1/2*5,72	0,000		
/20	0750.190.014		OIL DAM	1			46X92X5,5	0,000		
20	---		TAROLLBEARING	1				0,000		
---	1307.202.116		TAROLLBEARING	1			KPL.	0,000		
---	1307.202.018		TAROLLBEARING	1			KPL.50,8X92,0X25,4	0,000		
30	0750.112.061		RING	1			56,0X91,9X3,0	0,000		
40	---		WASHER	1			H= 1,20- 2,00(ABSTUFUNG:0,05MM)	0,000		
---	0730.105.768		WASHER	1			A=2,00 IN 0730 105 762(1)	0,000		
---	0730.106.204		WASHER	1			A=1,95 IN 0730 105 762(1)	0,000		
---	0730.105.767		WASHER	1			A=1,90 IN 0730 105 762(1)	0,000		
---	0730.106.203		WASHER	1			A=1,85 IN 0730 105 762(1)	0,000		
---	0730.105.766		WASHER	1			A=1,80 IN 0730 105 762(1)	0,000		
---	0730.106.202		WASHER	1			A=1,75 IN 0730 105 762(1)	0,000		
---	0730.105.765		WASHER	1			A=1,70 IN 0730 105 762(1)	0,000		
---	0730.106.201		WASHER	1			A=1,65 IN 0730 105 762(1)	0,000		
---	0730.105.764		WASHER	1			A=1,60 IN 0730 105 762(1)	0,000		

Parts list

Page 2 from 2

Material number: 1307.050.094

S 5-42 (Current date: 11.12.2012) /

Plant: 067.02.07-1

Material-assembly-group-no: 1307.102.053



Pos.	Material number	Customer material	Name	Quantity	ME	Amend. no.	Techn. Info.	Weight	Rep kit	Alternative material
---	0730.106.200		WASHER	1			A=1,55 IN 0730 105 762(1)	0,000		
---	0730.105.763		WASHER	1			A=1,50 IN 0730 105 762(1)	0,000		
---	0730.106.689		WASHER	1			A=1,45 IN 0730 105 762(1)	0,000		
---	0730.106.688		WASHER	1			A=1,40 IN 0730 105 762(1)	0,000		
---	0730.106.687		WASHER	1			A=1,35 IN 0730 105 762(1)	0,000		
---	0730.106.686		WASHER	1			A=1,30 IN 0730 105 762(1)	0,000		
---	0730.106.685		WASHER	1			A=1,25 IN 0730 105 762(1)	0,000		
---	0730.106.684		WASHER	1			A=1,20 IN 0730 105 762(1)	0,000		
60	1307.302.126		BEARING FLANGE	1				0,000		
80	0636.100.315		COUNTERSSCREW	4		Z00007419710	M8X30	0,000		
110	0734.310.396		SHAFT SEAL	1		C01005063B10	40X52X7/9 FA.CFW	0,000		
120	0634.303.053		O-RING	1			85X4	0,000		

Plant

Page 1 from 1

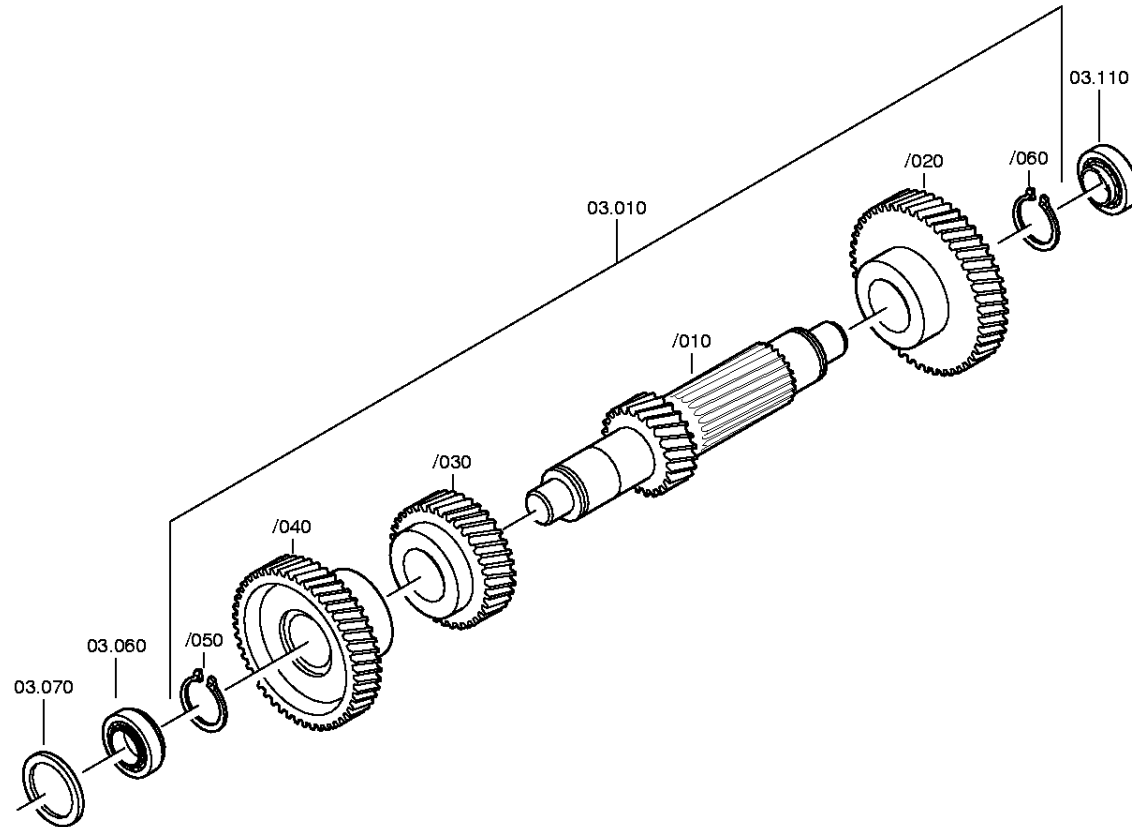
Material number: 1307.050.094

Plant: 067.03.01-1

Material-assembly-group-no: 1307.103.021

S 5-42 (Current date: 11.12.2012) /

LAYSHAFT



Parts list

Page 1 from 3

Material number: 1307.050.094

S 5-42 (Current date: 11.12.2012) /

Plant: 067.03.01-1

Material-assembly-group-no: 1307.103.021



Pos.	Material number	Customer material	Name	Quantity	ME	Amend. no.	Techn. Info.	Weight	Rep kit	Alternative material
10	1307.203.047		LAYSHAFT	1			KPL. IN 1307 203 045(1)	0,000		
/10	1307.303.104		LAYSHAFT	1			ENTHALT.IN 1307 303 103(0)	0,000		
/20	1317.303.015		HELICAL GEAR	1			5G/Z57 IN 1317 303 017(1)	0,000		
/30	1307.303.110		HELICAL GEAR	1			3G/Z31 IN 1317 303 014(1)	0,000		
/40	1307.303.122		HELICAL GEAR	1			Z45 IN 1307 303 121(1)	0,000		
/50	0630.501.033	1000000208	RETAINING RING	1			45X1,75	5		
/60	0630.501.031	9-48-104	RETAINING RING	1			40X1,75	4		
60	---		TAROLLBEARING	1				0,420		
---	1307.203.019	332/Y1690	TAROLLBEARING	1			KPL.	0,420		
---	1307.203.010	S0643195	TAROLLBEARING	1			KPL.	0,000		
---	1307.203.009	S0643196	TAROLLBEARING	1			KPL.31,7X66,4X25,4	0,000		
70	---		WASHER	1			H= 1,40- 2,30(ABSTUFUNG:0,05MM)	0,000		
---	0730.005.139		WASHER	1				0,000		
---	0730.005.138		WASHER	1				0,000		
---	0730.004.839		WASHER	1			A=2,20 IN 0730 004 828(2)	0,000		
---	0730.004.971		WASHER	1			A=2,15 IN 0730 004 828(2)	0,000		

Parts list

Page 2 from 3

Material number: 1307.050.094

S 5-42 (Current date: 11.12.2012) /

Plant: 067.03.01-1

Material-assembly-group-no: 1307.103.021



Pos.	Material number	Customer material	Name	Quantity	ME	Amend. no.	Techn. Info.	Weight	Rep kit	Alternative material
---	0730.004.838		WASHER	1			A=2,10 IN 0730 004 828(2)	0,000		
---	0730.004.970		WASHER	1			A=2,05 IN 0730 004 828(2)	0,000		
---	0730.004.837		WASHER	1			A=2,00 IN 0730 004 828(2)	0,000		
---	0730.004.836		WASHER	1			A=1,95 IN 0730 004 828(2)	0,000		
---	0730.004.835		WASHER	1			A=1,90 IN 0730 004 828(2)	0,000		
---	0730.004.834		WASHER	1			A=1,85 IN 0730 004 828(2)	0,000		
---	0730.004.833		WASHER	1			A=1,80 IN 0730 004 828(2)	0,000		
---	0730.004.832		WASHER	1			A=1,75 IN 0730 004 828(2)	0,000		
---	0730.004.831		WASHER	1			A=1,70 IN 0730 004 828(2)	0,000		
---	0730.004.969		WASHER	1			A=1,65 IN 0730 004 828(2)	0,000		
---	0730.004.830		WASHER	1			A=1,60 IN 0730 004 828(2)	0,000		
---	0730.004.968		WASHER	1			A=1,55 IN 0730 004 828(2)	0,000		
---	0730.004.829		WASHER	1			A=1,50 IN 0730 004 828(2)	0,000		
---	0730.006.221		WASHER	1			A=1,45 IN 0730 004 828(2)	0,000		
---	0730.006.220		WASHER	1			A=1,40 IN 0730 004 828(2)	0,000		
110	---		TAROLLBEARING	1				0,420		

Parts list

Page 3 from 3

Material number: 1307.050.094

S 5-42 (Current date: 11.12.2012) /

Plant: 067.03.01-1

Material-assembly-group-no: 1307.103.021



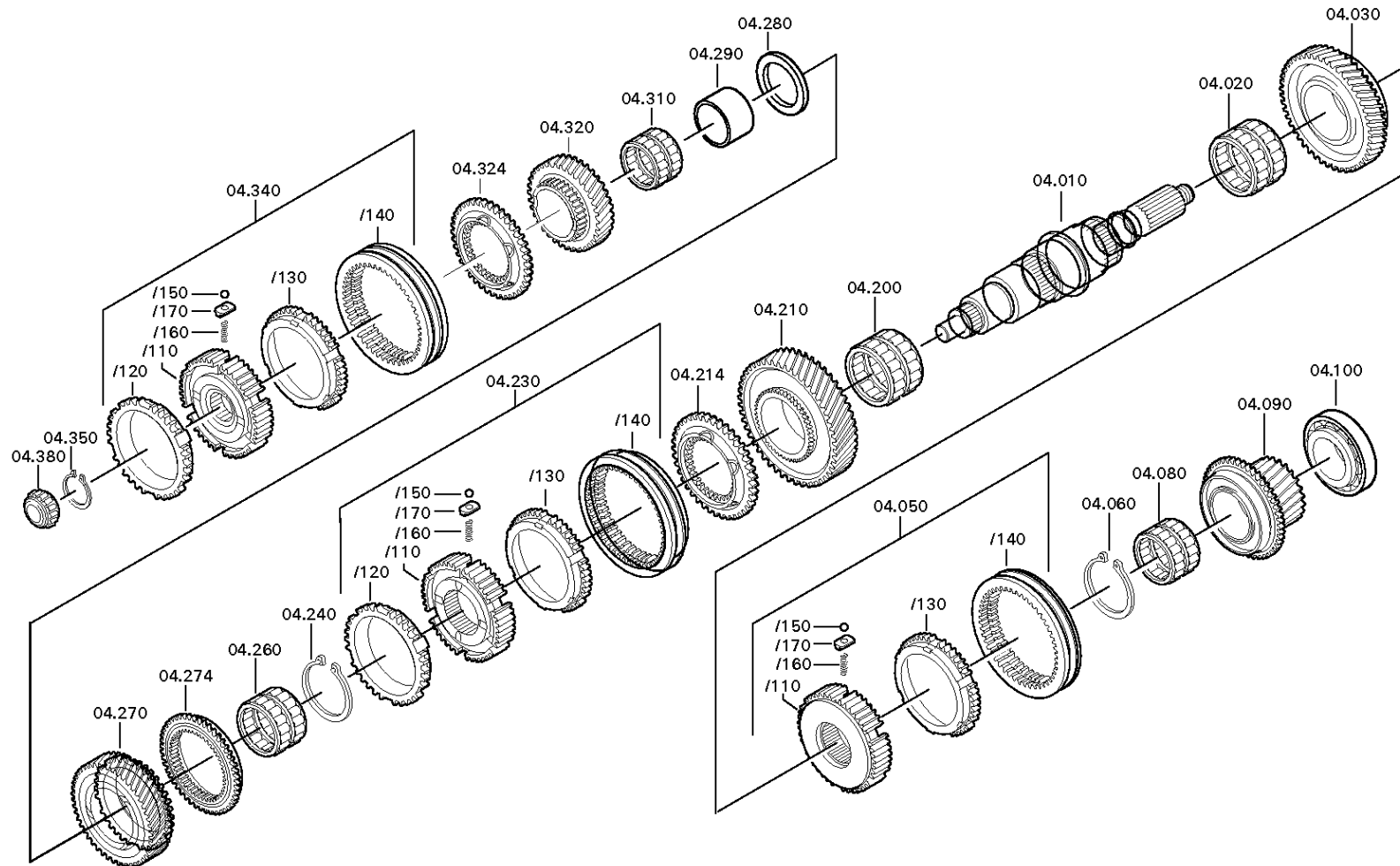
Pos.	Material number	Customer material	Name	Quantity	ME	Amend. no.	Techn. Info.	Weight	Rep kit	Alternative material
---	1307.203.019	332/Y1690	TAROLLBEARING	1			KPL.	0,420		
---	1307.203.010	S0643195	TAROLLBEARING	1			KPL.	0,000		
---	1307.203.009	S0643196	TAROLLBEARING	1			KPL.31,7X66,4X25,4	0,000		

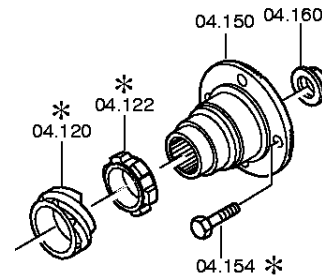
Plant

Page 1 from 2

Material number: 1307.050.094
Plant: 067.04.04-1
MAIN SHAFT

S 5-42 (Current date: 11.12.2012) /
MAIN SHAFT





Parts list

Page 1 from 5

Material number: 1307.050.094

S 5-42 (Current date: 11.12.2012) /

Plant: 067.04.04-1

Material-assembly-group-no: 1307.104.201



Pos.	Material number	Customer material	Name	Quantity	ME	Amend. no.	Techn. Info.	Weight	Rep kit	Alternative material
10	1307.304.623		MAIN SHAFT	1			ENTHALT.IN 1307 304 548(0)	0,000		
20	0735.320.873	T158768	NEEDLE CAGE	1			67,0X73,0X37,0 FA.INA	0,120		
30	1307.304.649		HELICAL GEAR	1			RG IN 1307 304 648(0)	0,000		
50	1307.204.293		SYNCHRONIZER	1			KPL.RG+5G*SG* / SIN*RG-KL	0,000		
/110	1307.204.230		SYNCHROBODY	1			KPL.	0,000		
/130	1307.304.182		SYNCHRORING	1			ENTHALT.IN 1307 304 264(0)	0,000		
/140	1307.304.671		SLIDING SLEEVE	1		Z00007384710	ZF-B100 I	0,000		
/150	0635.460.010	0540100297	BALL	3			6	1		
/160	0732.041.571		COMPRSPRING	3				0,000		
/170	1307.304.156		PRESSURE PIECE	3			ENTHALT.IN 1307 304 155(1)	0,000		
60	---		RETAINING RING	1			H= 1,80- 2,40(ABSTUFUNG:0,05MM)	0,000		
---	0730.501.407		RETAINING RING	1		C01007890210	A=2,40 IN 0730 501 404(2)	0,000		
---	0730.501.406		RETAINING RING	1		C01007890210	A=2,35 IN 0730 501 404(2)	0,000		
---	0730.501.405		RETAINING RING	1		C01007890210	A=2,30 IN 0730 501 404(2)	0,000		
---	0730.501.506		RETAINING RING	1		C01007890210	A=2,25 IN 0730 501 404(2)	0,000		
---	0730.501.314	T158777	RETAINING RING	1			A=2,20 IN 0730 501 263(2)	0,010		

Parts list

Page 2 from 5

Material number: 1307.050.094

Plant: 067.04.04-1

Material-assembly-group-no: 1307.104.201

S 5-42 (Current date: 11.12.2012) /



Pos.	Material number	Customer material	Name	Quantity	ME	Amend. no.	Techn. Info.	Weight	Rep kit	Alternative material
---	0730.501.544		RETAINING RING	1			A=2,15 IN 0730 501 263(2)	0,000		
---	0730.501.299		RETAINING RING	1			A=2,10 IN 0730 501 263(2)	0,010		
---	0730.501.543		RETAINING RING	1			A=2,05 IN 0730 501 263(2)	0,000		
---	0730.501.542		RETAINING RING	1			A=2,00 IN 0730 501 263(2)	0,000		
---	0730.501.541		RETAINING RING	1			A=1,95 IN 0730 501 263(2)	0,000		
---	0730.501.265	T159576	RETAINING RING	1			A=1,90 IN 0730 501 263(2)	0,010		
---	0730.501.540		RETAINING RING	1			A=1,85 IN 0730 501 263(2)	0,000		
---	0730.501.264	T159577	RETAINING RING	1			A=1,80 IN 0730 501 263(2)	0,010		
80	0735.321.010		NEEDLE CAGE	1			43,0X48,0X39,5 FA.INA	0,000		
90	1307.204.323		HELICAL GEAR	1			KPL.5G IN 1317 204 020(1)	0,000		
100	---		TAROLLBEARING	1				0,000		
---	1307.204.275		TAROLLBEARING	1			KPL.42,0X92,0X25,4	0,000		
---	1307.204.056		TAROLLBEARING	1			KPL.42,0X92,0X25,4	0,000		
122	1307.304.592		PULSE DISC	1				0,000		
150	1307.304.596		OUTPUT FLANGE	1			IN 1307 304 621(1)	0,000		
160	---		LOCKING NUT	1			M24X1,5	0,000		
---	1317.304.117		LOCKING NUT	1			M24X1,5 IN 1317 304 096(2)	0,000		

Parts list

Page 3 from 5

Material number: 1307.050.094

S 5-42 (Current date: 11.12.2012) /

Plant: 067.04.04-1

Material-assembly-group-no: 1307.104.201



Pos.	Material number	Customer material	Name	Quantity	ME	Amend. no.	Techn. Info.	Weight	Rep kit	Alternative material
200	0735.320.873	T158768	NEEDLE CAGE	1			67,0X73,0X37,0 FA.INA	0,120		
210	1307.304.652		HELICAL GEAR	1			1G IN 1307 304 651(0)	0,000		
214	1307.304.628		CLUTCH BODY	1			ENTHALT.IN 1307 304 627(1)	0,000		
230	1307.204.266		SYNCHRONIZER	1			KPL.1+2G*SG* ST/ST	0,000		
/110	1307.304.608		SYNCHROBODY	1			1+2G	0,000		
/120	1307.304.644	5 5852 0	SYNCHRONING	1		C01001161B 10		0,000		
/130	1307.304.644	5 5852 0	SYNCHRONING	1		C01001161B 10		0,000		
/140	1307.304.668		SLIDING SLEEVE	1		Z0000738471 2	ZF-B115 I	0,000		
/150	0635.460.010	0540100297	BALL	3			6	1		
/160	0732.041.571		COMPRSPRING	3				0,000		
/170	1307.304.156		PRESSURE PIECE	3			ENTHALT.IN 1307 304 155(1)	0,000		
240	---		RETAINING RING	1			H= 1,80- 2,40(ABSTUFUNG:0,05MM)	0,000		
---	0730.501.407		RETAINING RING	1		C010078902 10	A=2,40 IN 0730 501 404(2)	0,000		
---	0730.501.406		RETAINING RING	1		C010078902 10	A=2,35 IN 0730 501 404(2)	0,000		
---	0730.501.405		RETAINING RING	1		C010078902 10	A=2,30 IN 0730 501 404(2)	0,000		
---	0730.501.506		RETAINING RING	1		C010078902 10	A=2,25 IN 0730 501 404(2)	0,000		

Parts list

Page 4 from 5

Material number: 1307.050.094

Plant: 067.04.04-1

Material-assembly-group-no: 1307.104.201

S 5-42 (Current date: 11.12.2012) /



Pos.	Material number	Customer material	Name	Quantity	ME	Amend. no.	Techn. Info.	Weight	Rep kit	Alternative material
---	0730.501.314	T158777	RETAINING RING	1			A=2,20 IN 0730 501 263(2)	0,010		
---	0730.501.544		RETAINING RING	1			A=2,15 IN 0730 501 263(2)	0,000		
---	0730.501.299		RETAINING RING	1			A=2,10 IN 0730 501 263(2)	0,010		
---	0730.501.543		RETAINING RING	1			A=2,05 IN 0730 501 263(2)	0,000		
---	0730.501.542		RETAINING RING	1			A=2,00 IN 0730 501 263(2)	0,000		
---	0730.501.541		RETAINING RING	1			A=1,95 IN 0730 501 263(2)	0,000		
---	0730.501.265	T159576	RETAINING RING	1			A=1,90 IN 0730 501 263(2)	0,010		
---	0730.501.540		RETAINING RING	1			A=1,85 IN 0730 501 263(2)	0,000		
---	0730.501.264	T159577	RETAINING RING	1			A=1,80 IN 0730 501 263(2)	0,010		
260	0735.320.871	T158767	NEEDLE CAGE	1			60,0X66,0X42,0 FA.INA	0,120		
270	1307.304.632		HELICAL GEAR	1			ENTHALT.IN 1307 304 631(1)	0,000		
274	1307.304.628		CLUTCH BODY	1			ENTHALT.IN 1307 304 627(1)	0,000		
280	0730.106.561		WASHER	1			A=5,00 IN 0730 106 560(1)	0,000		
290	0730.162.428		BUSH	1			A=42,30 IN 0730 161 688(2)	0,000		
310	0735.320.871	T158767	NEEDLE CAGE	1			60,0X66,0X42,0 FA.INA	0,120		
320	1307.304.638		HELICAL GEAR	1			ENTHALT.IN 1307 304 636(1)	0,000		

Parts list

Page 5 from 5

Material number: 1307.050.094

Plant: 067.04.04-1

Material-assembly-group-no: 1307.104.201

S 5-42 (Current date: 11.12.2012) /



Pos.	Material number	Customer material	Name	Quantity	ME	Amend. no.	Techn. Info.	Weight	Rep kit	Alternative material
324	1307.304.626		CLUTCH BODY	1			ENTHALT.IN 1307 304 625(1)	0,000		
340	1307.204.317		SYNCHRONIZER	1			KPL.3+4G*SG*ST/SIN	0,000		
/110	1307.304.607		SYNCHROBODY	1			3+4G	0,000		
/120	1307.304.182		SYNCHRORING	1			ENTHALT.IN 1307 304 264(0)	0,000		
/130	1307.304.643		SYNCHRORING	1		C01001160B	ENTHALT.IN 1307 304 645(1)	0,000		
/140	1307.304.669		SLIDING SLEEVE	1		Z0000738471	ZF-B100 I	0,000		
/150	0635.460.010	0540100297	BALL	3			6	1		
/160	0732.041.571		COMPRSPRING	3				0,000		
/170	1307.304.156		PRESSURE PIECE	3			ENTHALT.IN 1307 304 155(1)	0,000		
350	---		RETAINING RING	1			H= 1,80- 2,20(ABSTUFUNG:0,10MM)	0,000		
---	0730.501.301		RETAINING RING	1			A=2,20 IN 0730 501 259(2)	0,000		
---	0730.501.300		RETAINING RING	1			A=2,10 IN 0730 501 259(2)	0,000		
---	0730.501.262		RETAINING RING	1			A=2,00 IN 0730 501 259(2)	0,000		
---	0730.501.261		RETAINING RING	1			A=1,90 IN 0730 501 259(2)	0,000		
---	0730.501.260		RETAINING RING	1			A=1,80 IN 0730 501 259(2)	0,000		
380	0750.117.251	8 8344 0	TAROLLBEARING	1			24,0X28,5	0,000		

Plant

Page 1 from 1

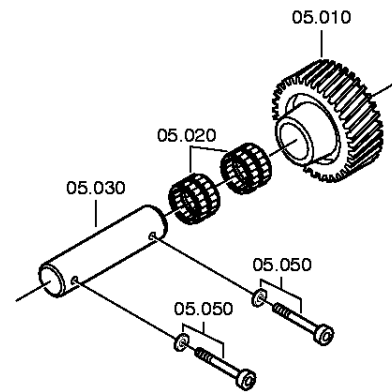
Material number: 1307.050.094

Plant: 067.05.01-1

Material-assembly-group-no: 1307.105.002

S 5-42 (Current date: 11.12.2012) /

RETURN



Parts list

Page 1 from 1

Material number: 1307.050.094

S 5-42 (Current date: 11.12.2012) /

Plant: 067.05.01-1

Material-assembly-group-no: 1307.105.002



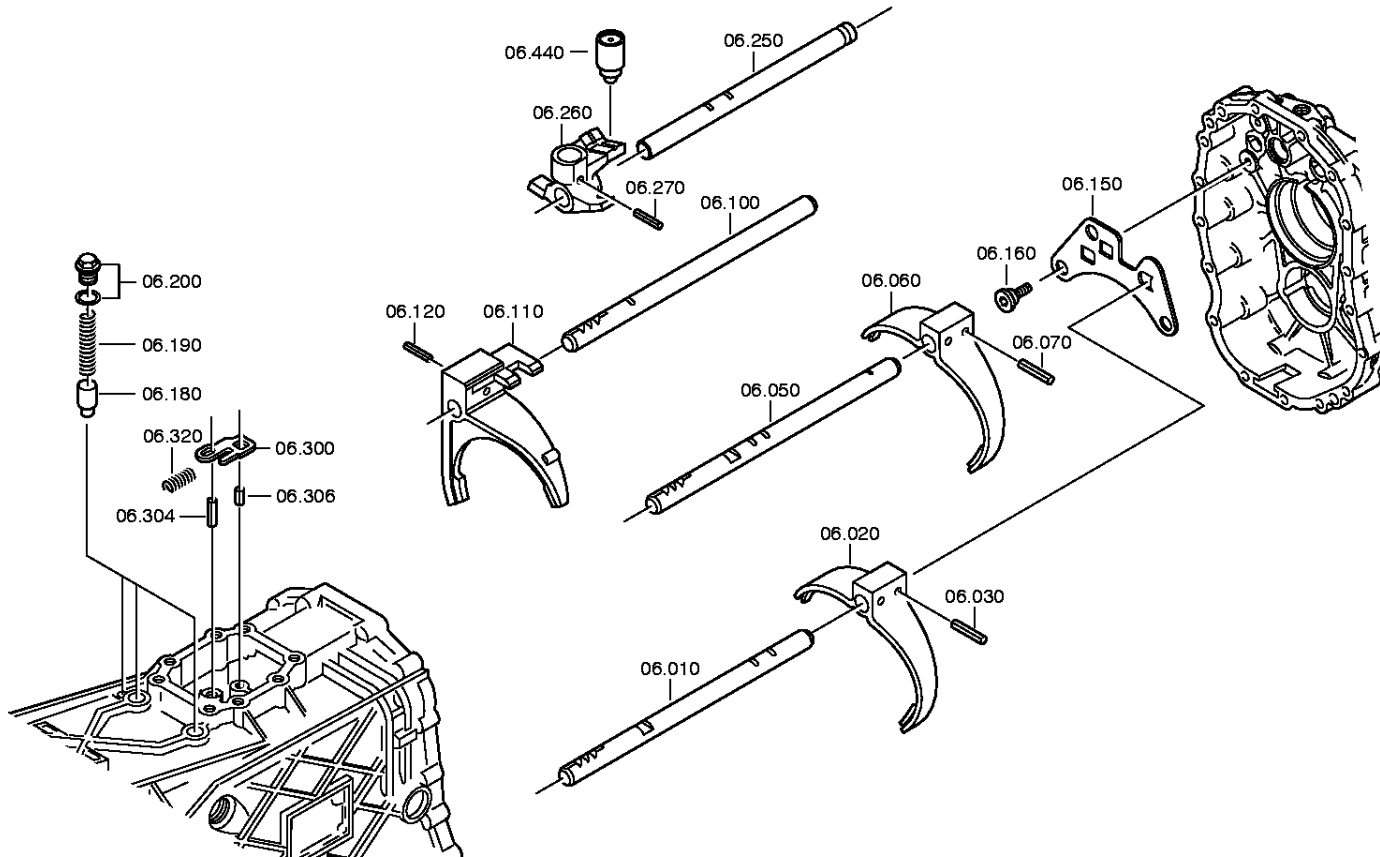
Pos.	Material number	Customer material	Name	Quantity	ME	Amend. no.	Techn. Info.	Weight	Rep kit	Alternative material
10	1307.305.025		IDLER GEAR	1			RG IN 1307 305 024(1)	0,000		
20	0750.115.233		NEEDLE CAGE	2			30,0X38,0X30,0	0,000		
30	1307.305.003		PIN	1			ENTHALT.IN 1307 305 021(2)	0,000		
50	---		CAP SCREW	2			M8X50	0,000		
---	0636.101.663	0636 101 663	CAP SCREW	2			M8X50	22,700		
---	0630.050.016		USIT RING	2			8,7X13X1	0,000		

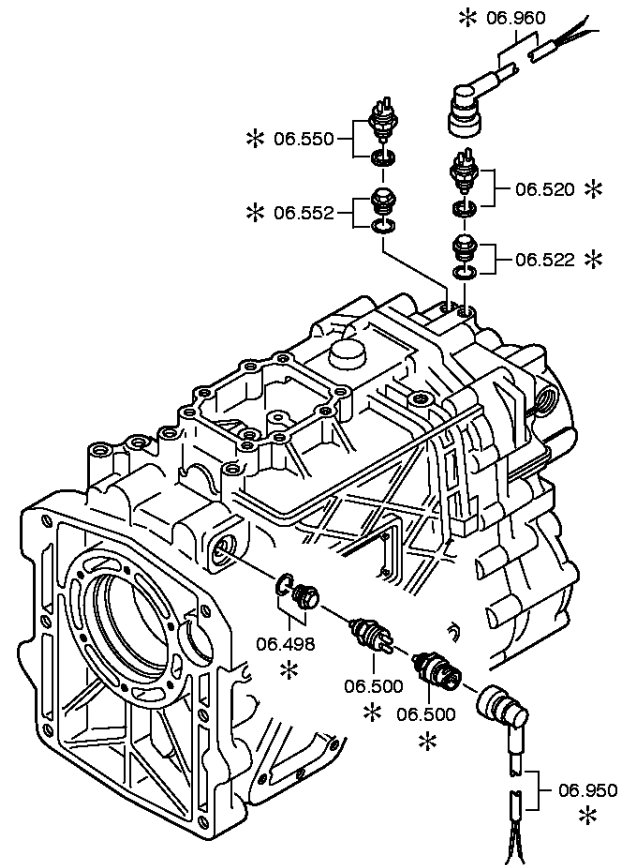
Plant

Page 1 from 2

Material number: 1307.050.094
Plant: 067.06.05-1
GEAR SHIFT SYSTEM

S 5-42 (Current date: 11.12.2012) /
GEAR SHIFT SYSTEM





Parts list

Page 1 from 2

Material number: 1307.050.094

S 5-42 (Current date: 11.12.2012) /

Plant: 067.06.05-1

Material-assembly-group-no: 1307.106.046



Pos.	Material number	Customer material	Name	Quantity	ME	Amend. no.	Techn. Info.	Weight	Rep kit	Alternative material
10	1307.306.219		GEAR SHIFT RAIL	1			5+RG IN 1307 306 221(1)	0,000		
20	1307.306.019		GEAR SHIFT FORK	1			ENTHALT.IN 1307 306 012(0)	0,000		
30	0631.329.069	ZM 8099488	SLOTPIN	2			6X30	4		
50	1307.306.245		GEAR SHIFT RAIL	1			1+2G IN 1307 306 244(1)	0,000		
60	1317.306.008		GEAR SHIFT FORK	1			1+2G	0,000		
70	0631.329.069	ZM 8099488	SLOTPIN	2			6X30	4		
100	1307.306.169		GEAR SHIFT RAIL	1			3+4G	0,000		
110	1307.206.027		GEAR SHIFT FORK	1		C01005551B	KPL.3/4G* 10 VERSTAERKT	0,000		
120	0631.329.069	ZM 8099488	SLOTPIN	1			6X30	4		
150	1307.306.230		SHIFTING INTERLOCK	1				0,000		
160	1307.306.121		COLLAR SCREW	3			M6	0,000		
180	1307.306.170		DETENT PIN	3				0,000		
190	0732.041.946		COMPRSPRING	3				0,000		
200	---		SCREW PLUG	3		Z0001017231	25N.M*DICHTRING 2 M12X1,5	0,000		
---	0636.100.299		SCREW PLUG	3		Z0001017231	6 M12X1,5	0,000		
---	0634.801.027		SEALING RING	3		Z0001017231	6 12X16	0,000		

Parts list

Page 2 from 2

Material number: 1307.050.094

S 5-42 (Current date: 11.12.2012) /

Plant: 067.06.05-1

Material-assembly-group-no: 1307.106.046



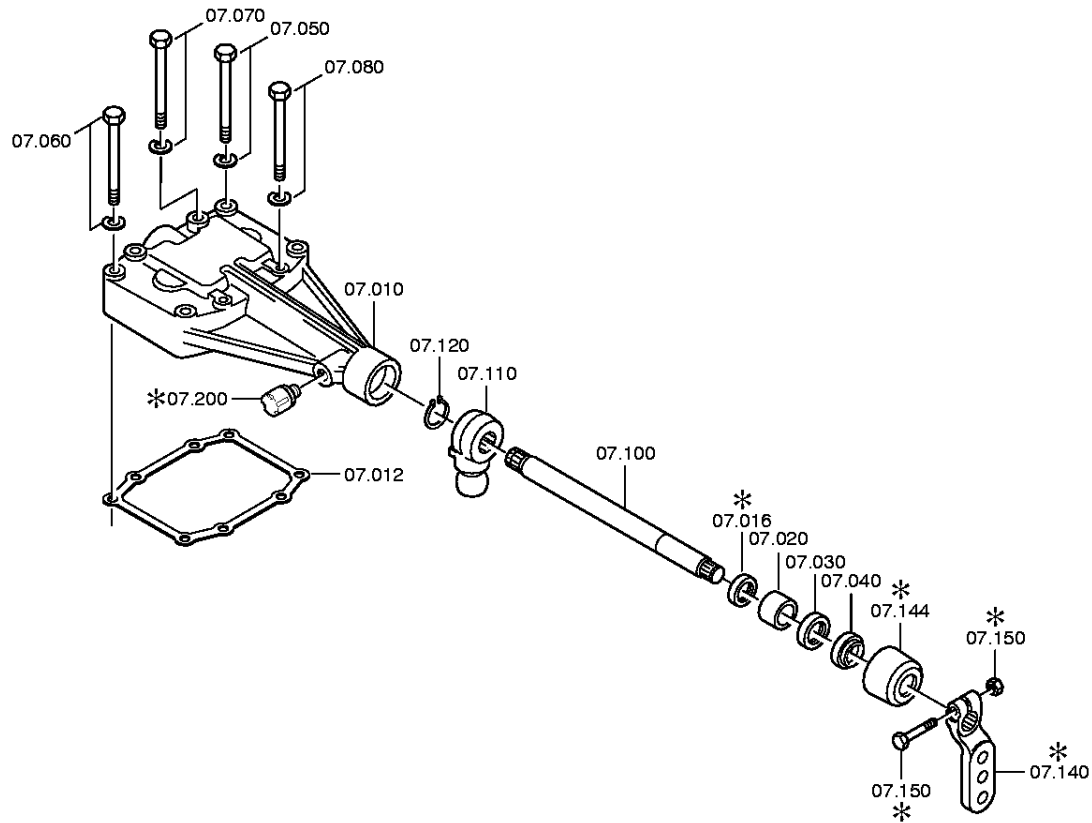
Pos.	Material number	Customer material	Name	Quantity	ME	Amend. no.	Techn. Info.	Weight	Rep kit	Alternative material
250	1307.306.260		GEAR SHIFT SHAFT	1				0,000		
260	1307.306.262		PIVOT DETENT	1		C010078897	ENTHALT.IN 1307 306 10 261(0)	0,000		
270	0631.329.069	ZM 8099488	SLOTPIN	1			6X30	4		
300	1307.306.229		STOP PLATE	1				0,000		
304	0631.330.131		SLOTPIN	1			8X22	0,000		
306	0631.330.006	531537A075439	SLOTPIN	1			5X16	0,000		
320	0732.041.947		COMPRSPRING	1				0,000		
440	0501.206.456		GSHIFT DETENT	1			KPL. IN 0501 207 250(2)	0,000		
500	0501.311.809	5930123467927	SWITCH	1				0,000		
522	---		SCREW PLUG	1			40N.M*DICHTRING M18X1,5	0,000		
---	0636.100.825		SCREW PLUG	1		Z0001017191 7	M18X1,5	0,000		
---	0730.150.161	2150037800	SEALING RING	1			A=1,50 IN 0730 150 439(2)	1		

Plant

Page 1 from 1

Material number: 1307.050.094
Plant: 067.07.01-1
GEAR SHIFT HOUSING

S 5-42 (Current date: 11.12.2012) /
GEAR SHIFT HOUSING



Parts list

Page 1 from 2

Material number: 1307.050.094

S 5-42 (Current date: 11.12.2012) /

Plant: 067.07.01-1

Material-assembly-group-no: 1307.107.800



Pos.	Material number	Customer material	Name	Quantity	ME	Amend. no.	Techn. Info.	Weight	Rep kit	Alternative material
10	1307.306.246		GEAR SHIFT HOUSING	1			LI	0,000		
12	1307.306.034		GASKET	1			ENTHALT.IN 1308 307 010(2)	0,000		
16	0734.300.021		SHAFT SEAL	1			22X28X5*KACO	0,000		
20	0730.260.257		BEARING BUSH	1			ENTHALT.IN 0730 260 546(2)	0,000		
30	0634.302.143		SHAFT SEAL	1			22X35X7	0,000		
40	0734.307.260		SCRAPER	1			22X35X8/5 FA.CFW	0,000		
50	---		HEXAGON BOLT	2		Z0000705871 2	M8X50	0,000		
---	0636.016.404		HEXAGON BOLT	2		Z0000705871 7	M8X50	0,000		
---	0630.100.295		WASHER	2		Z0000715841 4		0,000		
60	---		HEXAGON BOLT	2		Z0000705871 2	M8X50	0,000		
---	0636.016.404		HEXAGON BOLT	2		Z0000705871 7	M8X50	0,000		
---	0630.100.295		WASHER	2		Z0000715841 4		0,000		
70	---		HEXAGON BOLT	2		Z0000705871 2	M8X50	0,000		
---	0636.016.404		HEXAGON BOLT	2		Z0000705871 7	M8X50	0,000		
---	0630.100.295		WASHER	2		Z0000715841 4		0,000		
80	---		HEXAGON BOLT	2		Z0000705871 2	M8X50	0,000		

Parts list

Page 2 from 2

Material number: 1307.050.094

S 5-42 (Current date: 11.12.2012) /

Plant: 067.07.01-1

Material-assembly-group-no: 1307.107.800



Pos.	Material number	Customer material	Name	Quantity	ME	Amend. no.	Techn. Info.	Weight	Rep kit	Alternative material
---	0636.016.404		HEXAGON BOLT	2		Z0000705871 7	M8X50	0,000		
---	0630.100.295		WASHER	2		Z0000715841 4		0,000		
100	1306.306.042		GEAR SHIFT SHAFT	1			ENTHALT.IN 1317 307 001(2)	0,000		
110	1307.306.259		GSHIFT FINGER	1				0,000		
120	0630.531.005		RETAINING RING	1			16X1,5	0,000		
140	1307.307.660		GEAR SHIFT LEVER	1		Z0000918471 1	U542	0,000		
144	1238.307.411	3020121721435	PROTECTION CAP	1				0,000		
150	---		BOLT+NUT	1			M10X40	0,000		
---	0636.015.469		HEXAGON BOLT	1			M10X40	0,030		
---	0637.006.120		HEXAGON NUT	1			M10	0,010		
200	---		BREATHER	1			M10X1KEG	0,000		
---	0501.202.797	00640762	BREATHER	1			KPL.	30		