



Spare Parts Catalog

VG-1600-300

Material number: 5848.001.011



Pos.	Information	Amendment number
	KUNDE:KAMAZ	
	IDENT-NR.:	
	SCHNITT: 171600002002	
	172000002002	
	EINBAU: 171600000011	
	OELMENGE: CA7,2 L	
	OELFUELLUNG: NEIN	
	OELSORTE: ZF ECOFLUID X	
	GRUNDIERUNG: 5 TIEFSCHWARZ RAL 9005	

Assembly group overview

Page 1 from 1

Material number: 5848.001.011

VG-1600-300 /



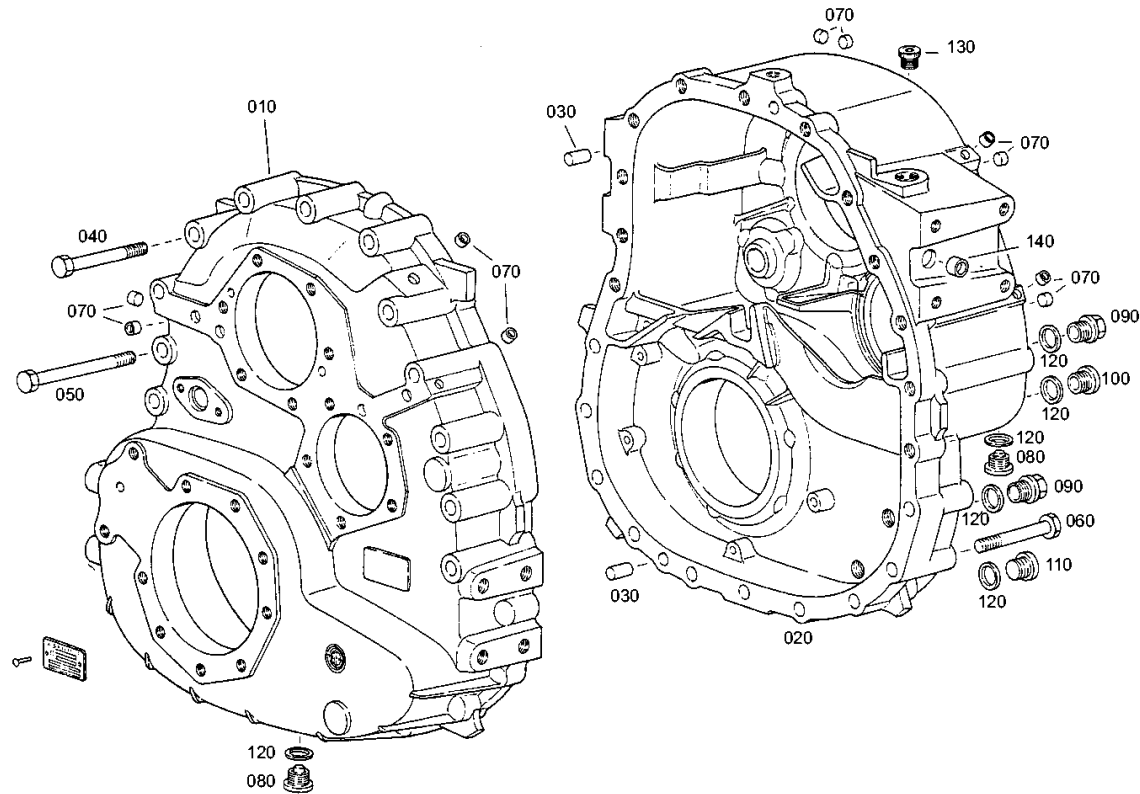
Graphics	Pos.	Material number	Name	VKF	Amend. no.	Amend. start	Prod. no.	Material feature / tech. info.	ID
584810300200	001	5848.103.013	HOUSING	1		00.00.0000			0
584810400400	002	5848.104.004	INPUT	1		00.00.0000			0
584810500300	003	5848.105.011	DOUBLE GEAR	1		00.00.0000			0
584810600500	004	5848.106.008	OUTPUT	1		00.00.0000			0
584811002700	005	5848.110.005	FLANGE	1		00.00.0000			0
584811200400	006	5848.112.002	GEARSHIFT SYST.	1		00.00.0000			0
584813900100	007	5848.139.002	TYPE PLATE	1		00.00.0000			0
584819900400	008	5848.199.009	LOOSE PARTS	1		00.00.0000			0

VKF Incidence factor

ID Identification (output code)

© All rights reserved by ZF Passau, even in the event of applications for copyright. We hold all rights of disposal, such as the right to copy and disseminate.
For information only, not subject to the amendment service.

18.01.2008



Parts list
Page 1 from 1

Material number: 5848.001.011 VG-1600-300 /
Plant: 584810300200
Material-assembly-group-no: 5848.103.013



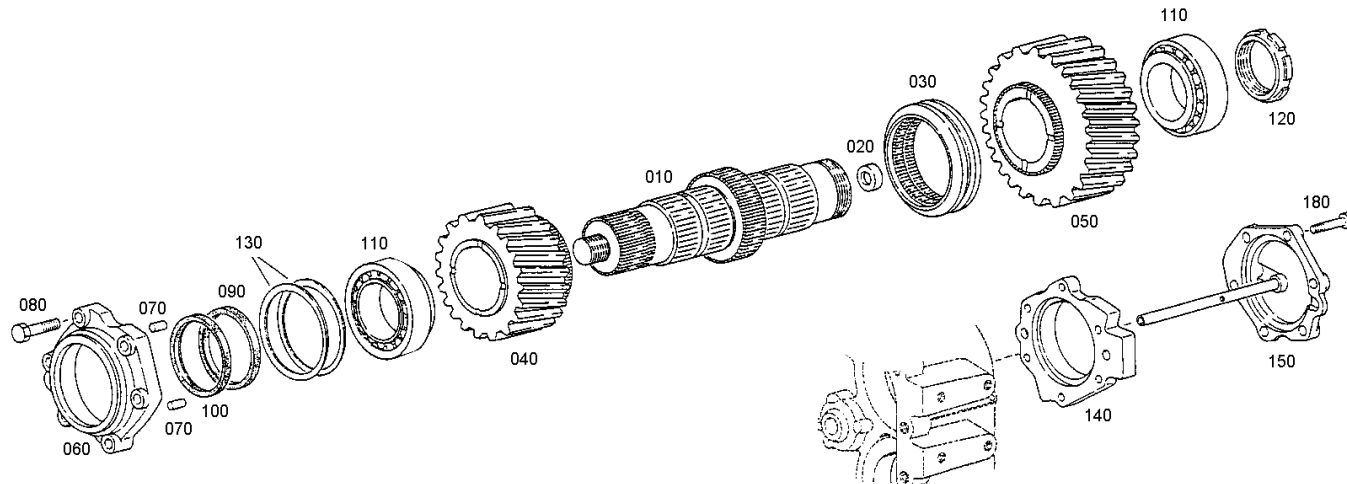
Pos.	Material number	Name	VKF	Amend. no.	Amend. start	Prod. no.	Material feature / tech. info.	OTK	External material no.	ID	Weight	SP
010	5841.300.689	GEARBOX HOUSING	1		00.00.0000		171600210075 FA			0	56	
020	5841.300.818	HOUSING	1		00.00.0000		171600210092 ZF			0	0,000	
030	5840.333.205	ZYL.STIFT	2		00.00.0000		12M6X20 / 190003901604 FA			0	0,019	
040	0636.011.622	HEXAGON SCREW	4		00.00.0000		M 14 X100 IS			0	0,137	
050	5840.333.140	HEXAGON SCREW	8		00.00.0000		M14X130 / 190003790015 FA			0	0,171	
060	0636.011.622	HEXAGON SCREW	10		00.00.0000		M 14 X100 IS			0	0,137	
070	5840.333.132	PLUG	10		00.00.0000		12/8 / 190003989481 FA			0	0,010	
080	5838.300.283	SCREW PLUG	2		00.00.0000		190003960008 FA			0	0,040	
090	0636.305.061	SCREW PLUG	2		00.00.0000		AM 22X1,5 DI			0	0,030	
100	0636.302.045	SCREW PLUG	2		00.00.0000		M 22X1,5 DI			0	0,040	
110	0636.302.045	SCREW PLUG	1		00.00.0000		M 22X1,5 DI			0	0,040	
120	0634.801.074	SEALING RING	7		00.00.0000		A 22 X 27 DI			0	0,003	
130	0636.301.055	SCREW PLUG	1	K01504/ 06	00.00.0000	00.00.0000	M 22X1,5 DI			0	0,020	
140	5840.333.288	KERNL.VERSCHL.	1		00.00.0000		20/8 / 190003989201 FA			0	0,000	

VKF Incidence factor

OTK Optional technical kit

ID Identification (output code)

SP Supplier plant





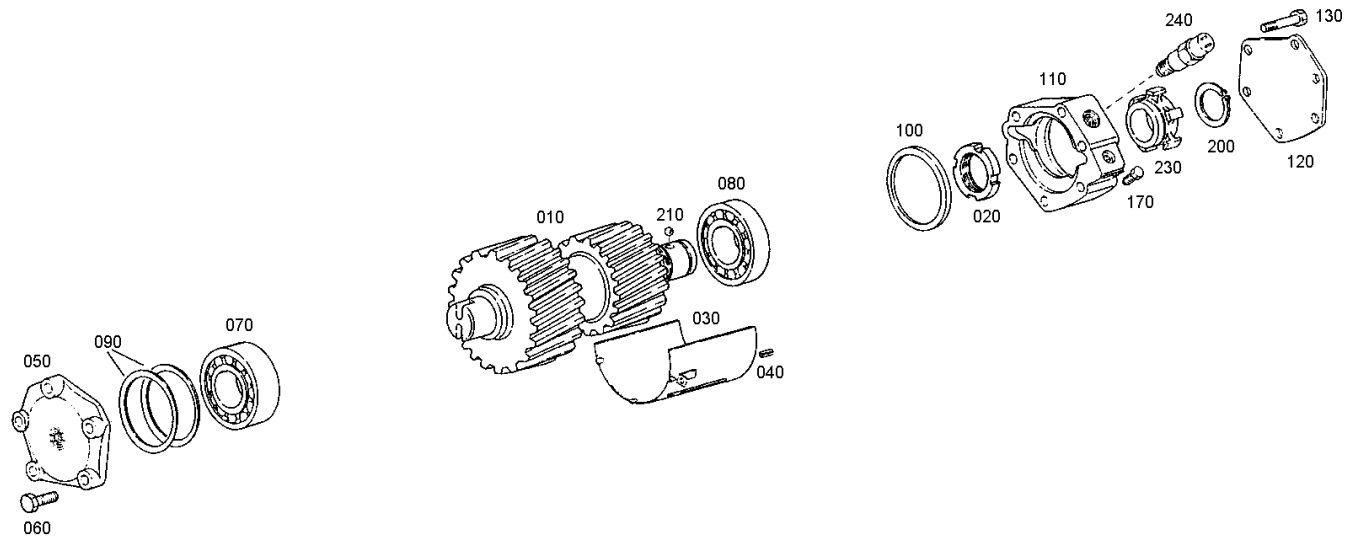
Pos.	Material number	Name	VKF	Amend. no.	Amend. start	Prod. no.	Material feature / tech. info.	OTK	External material no.	ID	Weight	SP
010	5841.302.094	INPUT SHAFT	1		00.00.0000		171600220085 FA			0	19	
020	5841.300.558	OIL DAM	1		00.00.0000		199118250237 FA			0	0,010	
030	5841.300.185	G.SHIFT SLEEVE	1		00.00.0000		171600220037 FA			0	2,030	
040	5841.300.198	INPUT GEAR	1		00.00.0000		Z=28			0	9,150	
050	5841.300.197	INPUT GEAR	1		00.00.0000		Z=35 VG1600/300/396			0	16	
060	5841.300.176	BEARING COVER	1		00.00.0000		171600210067 FA			0	2,510	
070	0631.302.070	CYLINDRICAL PIN	2		00.00.0000		8 M6 X 20 IS			0	0,010	
080	0636.016.173	HEXAGON SCREW	6		00.00.0000		M 12 X 45 DI			0	0,050	
090	5840.333.233	SHAFT SEAL	1		00.00.0000		ENTH.IN 199118250287 FA			0	0,000	
100	5840.333.240	SHAFT SEAL	1		00.00.0000		ENTH.IN 199118250287 FA			0	0,000	
110	5841.300.574	KEG.ROLLENLAGE	2		00.00.0000		199118250290 FA			0	2,900	
120	5841.300.195	SLOTTED NUT	1		00.00.0000		171600220058 FA			0	0,240	
130	---	SHIM	1		00.00.0000					0	0,000	
/010	5841.300.599	SHIM	1		00.00.0000		199118250356 FA			0	0,050	
/020	5841.300.600	SHIM	1		00.00.0000		199118250357 FA			0	0,050	
/030	5841.300.601	SHIM	1		00.00.0000		199118250358 FA			0	0,020	
/040	5841.300.602	SHIM	1		00.00.0000		199118250359 FA			0	0,050	
/050	5841.300.603	SHIM	1		00.00.0000		199118250360 FA			0	0,020	
/060	5841.300.604	SHIM	1		00.00.0000		199118250361 FA			0	0,020	
/070	5841.300.605	SHIM	1		00.00.0000		199118250362 FA.STEYR			0	0,050	
/080	5841.300.606	SHIM	1		00.00.0000		199118250363 FA.STEYR			0	0,050	
140	5841.300.178	INTERM.PLATE	1		00.00.0000					0	2,725	
150	5840.302.379	END COVER	1		00.00.0000		199118250234 FA			0	2,187	
160	5848.300.005	OIL TUBE	1	K01057/ 06	00.00.0000	00.00.0000				0	0,000	
170	5840.333.132	PLUG	1		00.00.0000		12/8 / 190003989481 FA			0	0,010	
180	0636.011.522	HEXAGON SCREW	6		00.00.0000		M 12 X 55 DI			0	0,060	

VKF Incidence factor

OTK Optional technical kit

ID Identification (output code)

SP Supplier plant



Parts list
Page 1 from 1

Material number: 5848.001.011 VG-1600-300 /
Plant: 584810500300
Material-assembly-group-no: 5848.105.011



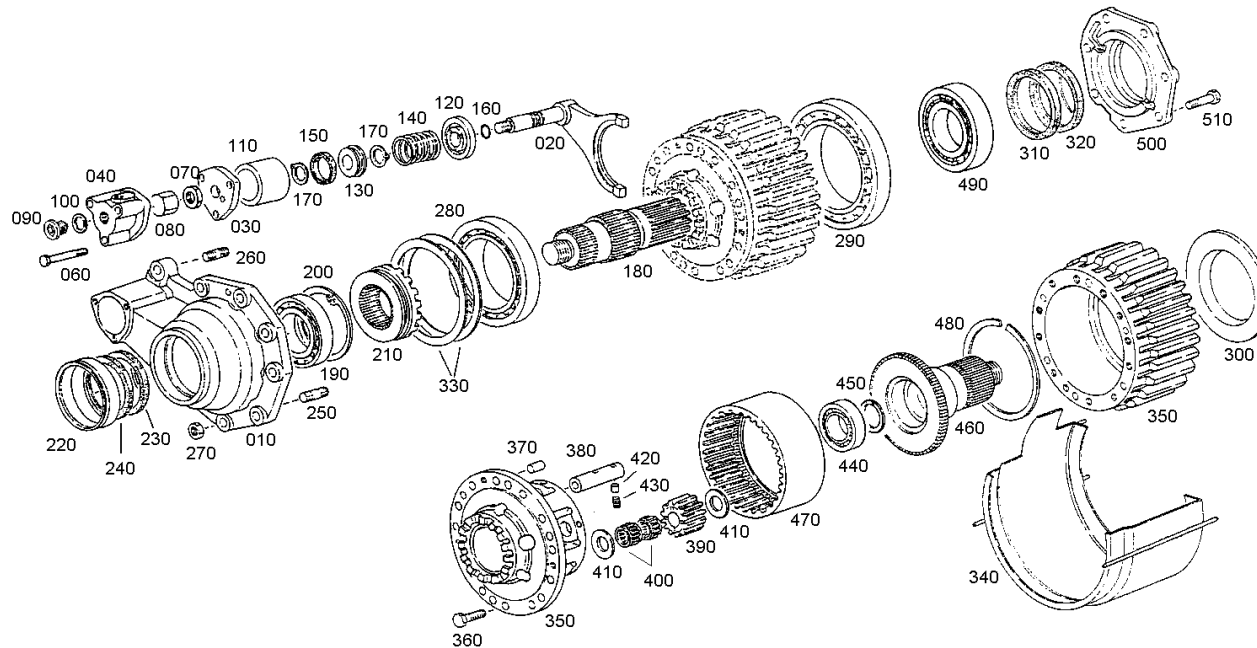
Pos.	Material number	Name	VKF	Amend. no.	Amend. start	Prod. no.	Material feature / tech. info.	OTK	External material no.	ID	Weight	SP
010	5841.300.809	DOUBLE GEAR	1		00.00.0000		Z=21/29 ST			0	0	
020	5840.333.121	SLOTTED NUT	1		00.00.0000		M60X1,5 / 190003880011 FA			0	0,120	
030	5841.300.174	COVER PLATE	1		00.00.0000		171600210051 FA			0	0,250	
040	0631.329.053	SLOT.PIN	1		00.00.0000		5 X 30 IS			0	0,010	
050	5841.300.540	END COVER	1		00.00.0000		199118250136 FA			0	1,560	
060	0636.011.294	HEXAGON SCREW	5		00.00.0000		M 12 X 40 DI			0	0,040	
070	5841.300.810	CY.ROLL.BEARING	1		00.00.0000		171600220087 Z=21/29 ST			0	2,480	
080	5840.333.095	CY.ROLL.BEARING	1		00.00.0000		190003320145 FA			0	1,475	
090	---	SHIM	1		00.00.0000					0	0,000	
/010	5841.300.575	SHIM	1		00.00.0000		199118250296 FA			0	0,010	
/020	5841.300.576	SHIM	1		00.00.0000		199118250297 FA			0	0,020	
/030	5841.300.577	SHIM	1		00.00.0000		199118250298 FA			0	0,010	
100	5841.300.172	CENTERING RING	1		00.00.0000		171600210046 FA			0	0,216	
110	5849.305.002	SPEEDO HOUSING	1	K01902/ 06	00.00.0000	00.00.0000				0	0,000	
120	5841.300.541	COVER	1		00.00.0000		199118250138 FA			0	1,040	
130	0636.011.487	HEXAGON SCREW	6		00.00.0000		M 12 X 75 DI			0	0,000	
170	5840.301.116	HEXAGON SCREW	1		00.00.0000		13809 220073 ST			0	0,010	
200	0630.531.065	RETAINING RING	1		00.00.0000		50X3 DI			0	0,020	
210	0635.460.011	BALL	1		00.00.0000					0	0,004	
230	5841.300.248	IMPULSSTERN	1		00.00.0000		172000220047 FA			0	0,950	
240	0501.208.791	PULSE SENSOR	1	K00385/ 06	00.00.0000	00.00.0000				0	0,100	

VKF Incidence factor

OTK Optional technical kit

ID Identification (output code)

SP Supplier plant





Pos.	Material number	Name	VKF	Amend. no.	Amend. start	Prod. no.	Material feature / tech. info.	OTK	External material no.	ID	Weight	SP
010	5841.300.552	BEARING HOUSING	1		00.00.0000		199118250222 FA			0	8,300	
020	5841.300.538	GEAR SHIFT FORK	1		00.00.0000		199118250127 FA			0	1,080	
030	5841.300.533	COVER	1		00.00.0000		199118250094 FA			0	0,400	
040	5841.300.564	COVER	1		00.00.0000		199118250251 FA			0	0,860	
060	0636.010.540	HEXAGON SCREW	3		00.00.0000		M 8 X 75 IS			0	0,030	
070	5840.333.198	HEXAGON NUT	1		00.00.0000		M16X1,5 / 190003871545 FA			0	0,016	
080	5841.300.563	CAP NUT	1		00.00.0000		199118250250 FA			0	0,050	
090	0636.302.021	SCREW PLUG	1	K01504/ 06	00.00.0000	00.00.0000	M 18X1,5 DI			0	0,090	
100	0634.801.057	SEALING RING	1		00.00.0000		A 18 X 22 DI			0	0,002	
110	5841.300.373	BUSH	1		00.00.0000		199014250122 FA			0	0,100	
120	5841.300.374	WASHER	1		00.00.0000		199014250123 FA			0	0,110	
130	5841.300.375	PISTON	1		00.00.0000		199014250124 FA			0	0,030	
140	5841.300.653	COMPR.SPRING	1		00.00.0000		1-99-976-003 FA			0	0,050	
150	5841.300.652	SEALING COLLAR	1		00.00.0000		1-99-965-021 FA			0	0,020	
160	0634.306.012	O-RING	1		00.00.0000		13,3 X 2,4 ZF			0	0,040	
170	0630.501.014	RETAINING RING	2		00.00.0000		18X1,2 DI			0	0,010	
180	5841.300.534	OUTPUT SHAFT	1		00.00.0000		199118250120 FA			0	6,830	
190	0750.116.206	BALL BEARING	1	K05035/ 07	00.00.0000	00.00.0000				0	1,010	
200	0630.502.048	RETAINING RING	1		00.00.0000		120X4 DI			0	0,080	
210	5841.300.595	G.SHIFT SLEEVE	1		00.00.0000		199118250345 FA			0	1,290	
220	5841.300.550	POT	1		00.00.0000		199118250218 FA			0	0	
230	5840.333.227	SHAFT SEAL	1		00.00.0000		ENTH.IN 199118250255 FA			0	0,000	
240	5840.333.268	SHAFT SEAL	1		00.00.0000		ENTH.IN 199118250255 FA			0	0,000	
250	0636.611.146	STUD	3		00.00.0000		M 12 X 45 DI			0	0,050	
260	0636.611.145	STUD	7		00.00.0000		M 12 X 35 DI			0	0,040	
270	0637.006.202	HEXAGON NUT	10		00.00.0000		M 12 DI			0	0,010	
280	5840.333.089	TA.ROLL.BEARING	1		00.00.0000		32024 X/C / 190003320070 FA			0	3,320	
290	5841.300.566	KEGELROLLENLAG.	1		00.00.0000		199118250253 FA			0	3	
300	5841.300.567	OIL DAM	1		00.00.0000		199118250254 FA			0	0,200	
310	5840.333.233	SHAFT SEAL	1		00.00.0000		ENTH.IN 199118250287 FA			0	0,000	
320	5840.333.240	SHAFT SEAL	1		00.00.0000		ENTH.IN 199118250287 FA			0	0,000	
330	---	SHIM	1		00.00.0000					0	0,000	

VKF Incidence factor

OTK Optional technical kit

ID Identification (output code)

SP Supplier plant



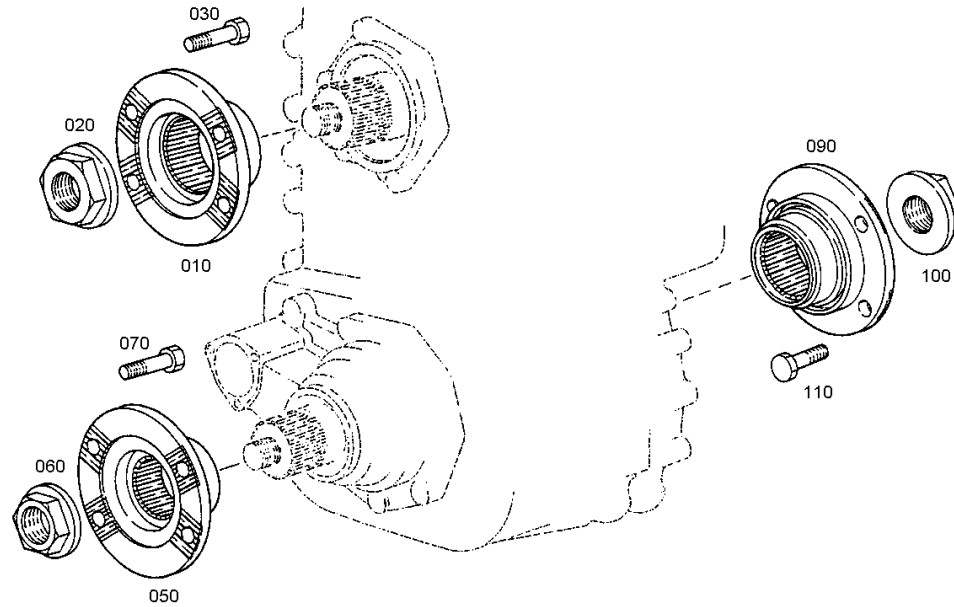
Pos.	Material number	Name	VKF	Amend. no.	Amend. start	Prod. no.	Material feature / tech. info.	OTK	External material no.	ID	Weight	SP
/010	5841.300.607	SHIM	1		00.00.0000		199118250364 FA			0	0,020	
/020	5841.300.608	SHIM	1		00.00.0000		199118250365 FA			0	0,050	
/030	5841.300.609	SHIM	1		00.00.0000		199118250366 FA			0	0,020	
/040	5841.300.610	SHIM	1		00.00.0000		199118250367 FA			0	0,020	
/050	5841.300.611	SHIM	1		00.00.0000		199118250368 FA			0	0,020	
/060	5841.300.612	SHIM	1		00.00.0000		199118250369 FA			0	0,050	
/070	5841.300.613	SHIM	1		00.00.0000		199118250370 FA			0	0,010	
/080	5841.300.614	SHIM	1		00.00.0000		199118250371 FA			0	0,050	
340	5841.300.166	COVER PLATE	1		00.00.0000		171600210019 FA			0	1	
350	5841.303.204	OUTPUT GEAR	1		00.00.0000		171600220078 FA			0	0	
360	0636.020.118	HEXAGON SCREW	12	K00387/07	00.00.0000	00.00.0000	M 12X1,5 X 40 DI			0	0,050	
370	5841.300.324	FITTING PIN	6		00.00.0000		179200250035 FA			0	0,020	
380	5841.300.573	PLANET SHAFT	5		00.00.0000		199118250289 FA			0	0,320	
390	5841.300.536	PLANET GEAR	5		00.00.0000		199118250125 FA			0	0,400	
400	5841.300.548	NEEDLE CAGE	10		00.00.0000		199118250178 FA			0	0,020	
410	5841.300.545	THRUST WASHER	10		00.00.0000		199118250160 FA			0	0,020	
420	0631.302.047	CYLINDRICAL PIN	5		00.00.0000		6 M6 X 10 IS			0	0,010	
430	5841.300.544	COMPR.SPRING	5		00.00.0000		199118250159 FA			0	0,010	
440	5841.303.205	CY.ROLL.BEARING	1		00.00.0000		190003326246 DIN 5412 FA			0	0	
450	0630.531.222	V-RING	1	K00447/06	00.00.0000	00.00.0000	AV 45 FA			0	0,000	
460	5841.303.207	OUTPUT SHAFT	1		00.00.0000		HA FA			0	0	
470	5841.300.537	RING GEAR	1		00.00.0000		199118250126 FA			0	5,220	
480	5841.300.642	RETAINING RING	1		00.00.0000		1-99-917-003----- FA			0	0,030	
490	5840.302.754	ROLLER BEARING	1		00.00.0000		11144240			0	0,000	
500	5841.300.812	BEARING COVER	1		00.00.0000		171600210090 HA ST			0	0,000	
510	0636.011.335	HEXAGON SCREW	7		00.00.0000		M 12 X 35 DI			0	0,040	

VKF Incidence factor

OTK Optional technical kit

ID Identification (output code)

SP Supplier plant





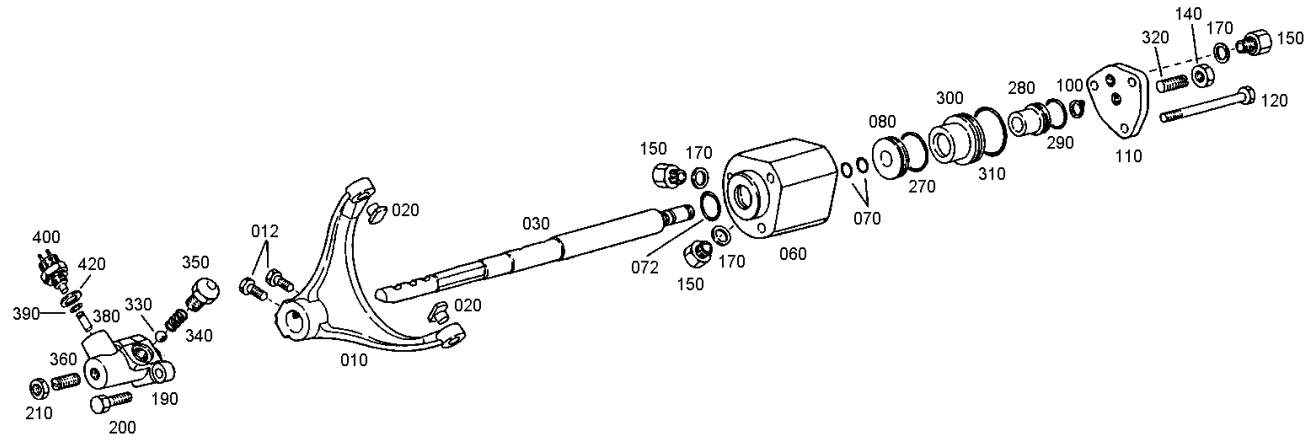
Pos.	Material number	Name	VKF	Amend. no.	Amend. start	Prod. no.	Material feature / tech. info.	OTK	External material no.	ID	Weight	SP
010	5841.300.586	FLANGE	1		00.00.0000		Z=38			0	3,640	
020	5841.300.530	COLLAR NUT	1		00.00.0000		M38X1,5 SW=65			0	0,700	
030	0636.020.211	HEXAGON SCREW	4		00.00.0000		M 14X1,5 X 50 DI			0	0,080	
050	5841.300.549	FLANGE	1		00.00.0000		199118250212 FA			0	3,515	
060	5841.300.630	COLLAR NUT	1		00.00.0000		M38X1,5 SW=55			0	0,480	
070	0636.020.211	HEXAGON SCREW	4		00.00.0000		M 14X1,5 X 50 DI			0	0,080	
090	5841.300.586	FLANGE	1		00.00.0000		Z=38			0	3,640	
100	5841.300.530	COLLAR NUT	1		00.00.0000		M38X1,5 SW=65			0	0,700	
110	0636.020.211	HEXAGON SCREW	4		00.00.0000		M 14X1,5 X 50 DI			0	0,080	

VKF Incidence factor

OTK Optional technical kit

ID Identification (output code)

SP Supplier plant





Pos.	Material number	Name	VKF	Amend. no.	Amend. start	Prod. no.	Material feature / tech. info.	OTK	External material no.	ID	Weight	SP
010	5840.303.319	GEAR SHIFT FORK	1		00.00.0000		172000240009 ST			0	1,420	
012	5841.300.624	SCREW	2		00.00.0000		199118250424 FA			0	0,030	
020	5841.300.008	SCHALTGABELSCHU	2		00.00.0000		11800 320077 FA			0	0,020	
030	5841.300.208	GEAR SHIFT ROD	1		00.00.0000		171600240010 FA			0	1,292	
060	5841.300.209	SHIFT CYLINDER	1		00.00.0000		171600240011 FA			0	0,914	
070	0634.306.012	O-RING	2		00.00.0000		13,3 X 2,4 ZF			0	0,040	
072	5840.333.137	SEALING RING	1		00.00.0000		26X3 /199118250427 FA.S			0	0,001	
080	5841.300.597	PISTON	1		00.00.0000		199118250352 FA			0	0,061	
100	0630.501.014	RETAINING RING	1		00.00.0000		18X1,2 DI			0	0,010	
110	5841.300.531	COVER	1		00.00.0000		199118250039 FA			0	0,450	
120	5840.333.146	HEXAGON SCREW	3		00.00.0000		M12X115 / 190003800676 FA			0	0,110	
140	5840.333.197	HEXAGON NUT	1		00.00.0000		M12X1,5 / 190003871526 FA			0	0,011	
150	5840.303.316	REDUCTION PIECE	3		00.00.0000		1680350125 ST			0	0,000	
170	0634.801.205	SEALING RING	3		00.00.0000		A 12 X 15,5 DI			0	0,008	
190	5841.300.625	FLANGE	1		00.00.0000		199118250425 FA			0	1,033	
200	0636.015.386	HEXAGON SCREW	2		00.00.0000		M 10 X 30 DI			0	0,020	
210	5840.333.197	HEXAGON NUT	1		00.00.0000		M12X1,5 / 190003871526 FA			0	0,011	
270	5840.303.318	SEALING RING	1		00.00.0000		199118250406 STEYR 39X3			0	0,000	
280	5841.300.598	PISTON	1		00.00.0000		199118250353 FA			0	0,091	
290	5840.333.135	SEALING RING	1		00.00.0000		29X3 /199118250405 FA.S			0	0,001	
300	5841.300.596	PISTON	1		00.00.0000		199118250351 FA			0	0,220	
310	5838.300.726	SEALING RING	1		00.00.0000		199118250407 FA			0	0,001	
320	5841.300.441	SET SCREW	1		00.00.0000		199114250079 FA			0	0,020	
330	0635.460.021	BALL	1		00.00.0000					0	0,010	
340	5841.300.006	SPRING	1		00.00.0000		11800 240023 FA			0	0,010	
350	5841.300.030	SPERRKUGELFUEH.	1		00.00.0000		12700 240049 FA			0	0,020	
360	5841.300.441	SET SCREW	1		00.00.0000		199114250079 FA			0	0,020	
380	5841.300.432	PIN	1		00.00.0000		199114250047 FA			0	0,010	
390	0630.505.536	SNAP RING	1		00.00.0000		A 5 DI			0	0,010	
400	5841.300.164	PRESSURE SWITCH	1		00.00.0000		171200710002 FA			0	0,067	
420	0634.801.057	SEALING RING	1		00.00.0000		A 18 X 22 DI			0	0,002	

VKF Incidence factor

OTK Optional technical kit

ID Identification (output code)

SP Supplier plant

Plant Page 1 from 1

Material number: 5848.001.011 VG-1600-300 /
Plant: 584813900100 TYPE PLATE
Material-assembly-group-no: 5848.139.002





Pos.	Material number	Name	VKF	Amend. no.	Amend. start	Prod. no.	Material feature / tech. info.	OTK	External material no.	ID	Weight	SP
010	5838.300.737	TYPE PLATE	1		00.00.0000		50X35X0.5			0	0,002	
020	5838.300.301	GROOVED STUD	2		00.00.0000					0	0,001	

VKF Incidence factor

OTK Optional technical kit

ID Identification (output code)

SP Supplier plant

Plant Page 1 from 1

Material number: 5848.001.011 VG-1600-300 /
Plant: 584819900400 LOOSE PARTS
Material-assembly-group-no: 5848.199.009



010



Pos.	Material number	Name	VKF	Amend. no.	Amend. start	Prod. no.	Material feature / tech. info.	OTK	External material no.	ID	Weight	SP
010	5841.302.134	KOSTAL-SCHALTER	2		00.00.0000		172000710005			0	0	
020	5841.300.353	BREATHER	1	K01504/ 06	00.00.0000	00.00.0000	199000410120 FA			0	0,080	

VKF Incidence factor

OTK Optional technical kit

ID Identification (output code)

SP Supplier plant