



# Spare Parts Catalog

VG 2700/400  
KAMAZ Incorporated

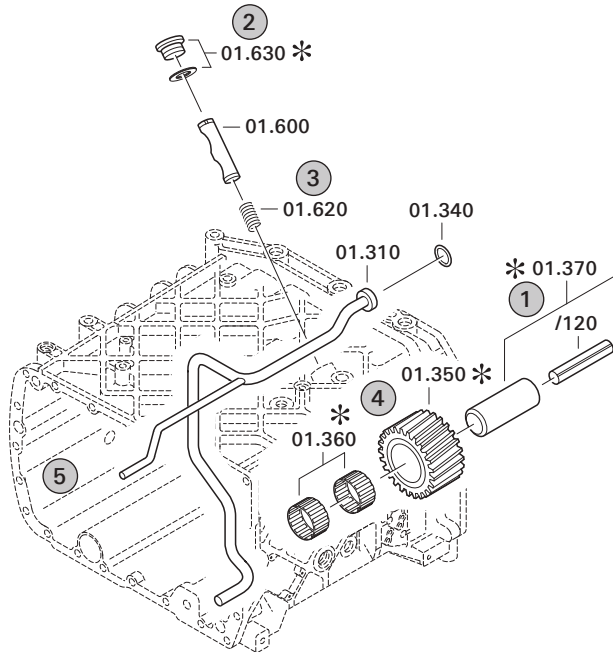
Material number: 5851.001.009

# Notes relating to the spare parts catalog

## Setup of the spare parts catalog

- Cover sheet
- Technical Cover (only in SDM print)
- Overview of figures
- Figure
- Associated parts list
- Next figure
- Associated parts list
- ...

## Figure and parts list



## Overview of figures

Bildtafel Figure	Sachnummer Product number	Benennung (Description)	Technische Info Technical info	Description (Benennung)	Menge Quantity	Einheit Unit
068.08.17	1316.170.001	AUSLEGER	WL	SHIFT TURRET	1	Stk
068.08.06	1316.170.031	DECKEL	WL*H-H *VM	COVER	1	Stk
068.08.14	1316.170.808	DECKEL	WL*AUSL+GEH*H-H*HF160N	COVER	1	Stk
08	1316.170.441	ANSCHLUSSTEILE	WL*NG-VORB*RG-SCHL*168N *BAJONETT	CONNECTING PARTS	1	Stk

The "gap" indicates that there is no separate graphics panel (poster) for this assembly  
The parts of this assembly are shown with the same mid-section number on the figure

### 1 Positions and subpositions

Pos.	Sachnummer Product number	Benennung (Description)	Technische Info Technical info	Description (Benennung)	Menge Quantity	Einheit Unit
0370	1315.201.054	RUECKLAUFBOLZEN	KPL.16S151*SG*L= 79	REV.IDLER SHAFT	1	Stk
/0120	0631.329.293	SPANNSTIFT		SLOT. PIN	1	Stk

Positions marked with "/" are the individual items of a completion  
For example: Position 0370 contains a centering pin with the position /0120

### 2 Combinations with standardized parts

Pos.	Sachnummer Product number	Benennung (Description)	Technische Info Technical info	Description (Benennung)	Menge Quantity	Einheit Unit
0630		VERSCHL.SCHR.		SCREW PLUG	1	Stk
	0636.302.067	VERSCHL.SCHR.		SCREW PLUG	1	Stk
	0634.801.249	DICHTRING	A 26 X 31	SEALING RING	1	Stk

The parts list shows the components included in the combination of standardized parts

### 3 Depiction of position/item number on the figure and in the parts list

01.620 - on the figure      01 relates to the assembly in which the position is included. Due to program-related reasons, it is shown on the figure.

0620 - in the parts list

Pos.	Sachnummer Product number	Benennung (Description)	Technische Info Technical info	Description (Benennung)	Menge Quantity	Einheit Unit
0620	0732.040.736	DRUCKFEDER		COMPRESSION SPRING	1	Stk

### 4 \*-Positions

Positions marked with an \* are optional i.e. inclusion in the parts list is not mandatory.  
The following note is shown on the figure

je nach Stücklistenausführung  
depending on spec. number  
\*  
suivant la nomenclature  
secondo la distinta base

### 5 Parts, dotted display

Parts with dotted display on the figure are only used for orientation of other parts



<b>Pos.</b>	<b>Information</b>	<b>Amendment number</b>
	KUNDE:KAMAZ *	
	SCHNITT: 5851.300.023	
	EINBAU: 172700000001	
	OELMENGE: CA.10,0 L	
	OIL FILLING: NO	
	OELSORTE: ZF ECOFLUID X	
	PRIME CODE: 5 BLACK RAL 9005	

# Assembly group overview

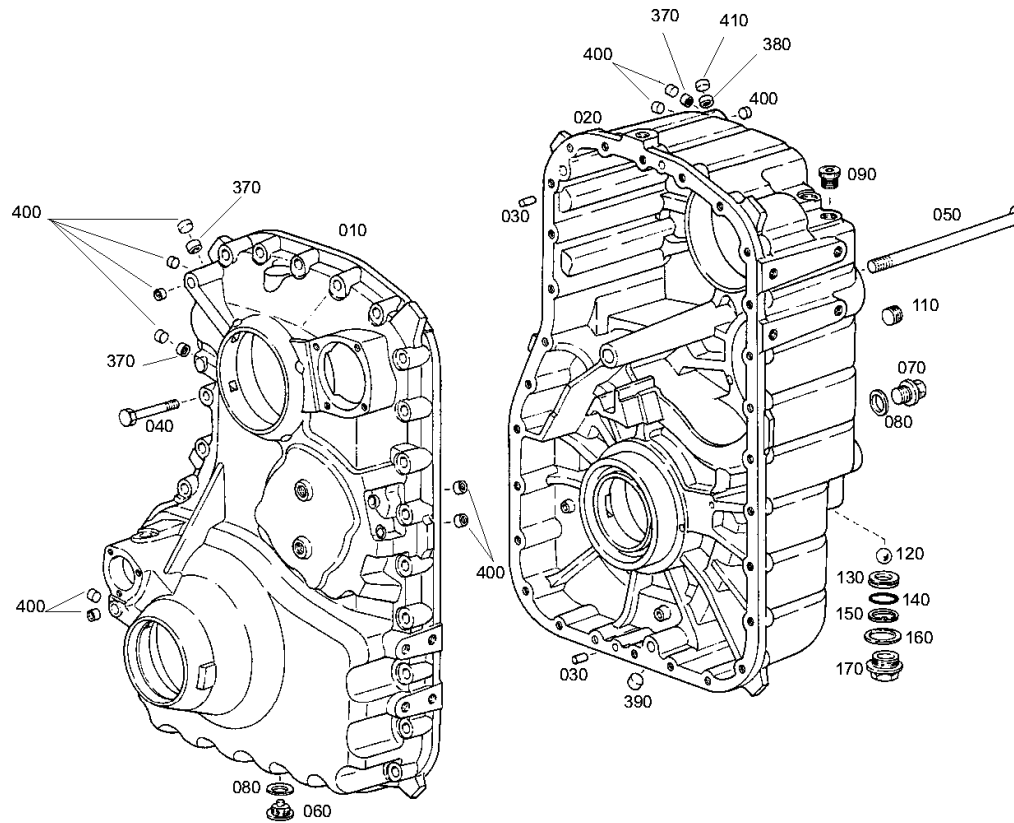
Material number: 5851.001.009

VG 2700/400 / KAMAZ Incorporated

Page 1 from 1



Graphics	Pos.	Material number	Name	Quantity	Amend. no.	Techn. Info.
585110300101	10	5851.103.001	HOUSING	1		
585110400100	20	5851.104.001	INPUT	1		
585110501300	30	5851.105.013	INTERMEDIATE SHAFT	1		
585110600100	40	5851.106.001	OUTPUT	1		
585111000100	50	5851.110.001	FLANGE	1		
585111201000	60	5851.112.010	GEAR SHIFT SYSTEM	1		
584813900200	120	5848.139.002	TYPE PLATE	1		



# Plant

Page 2 from 2

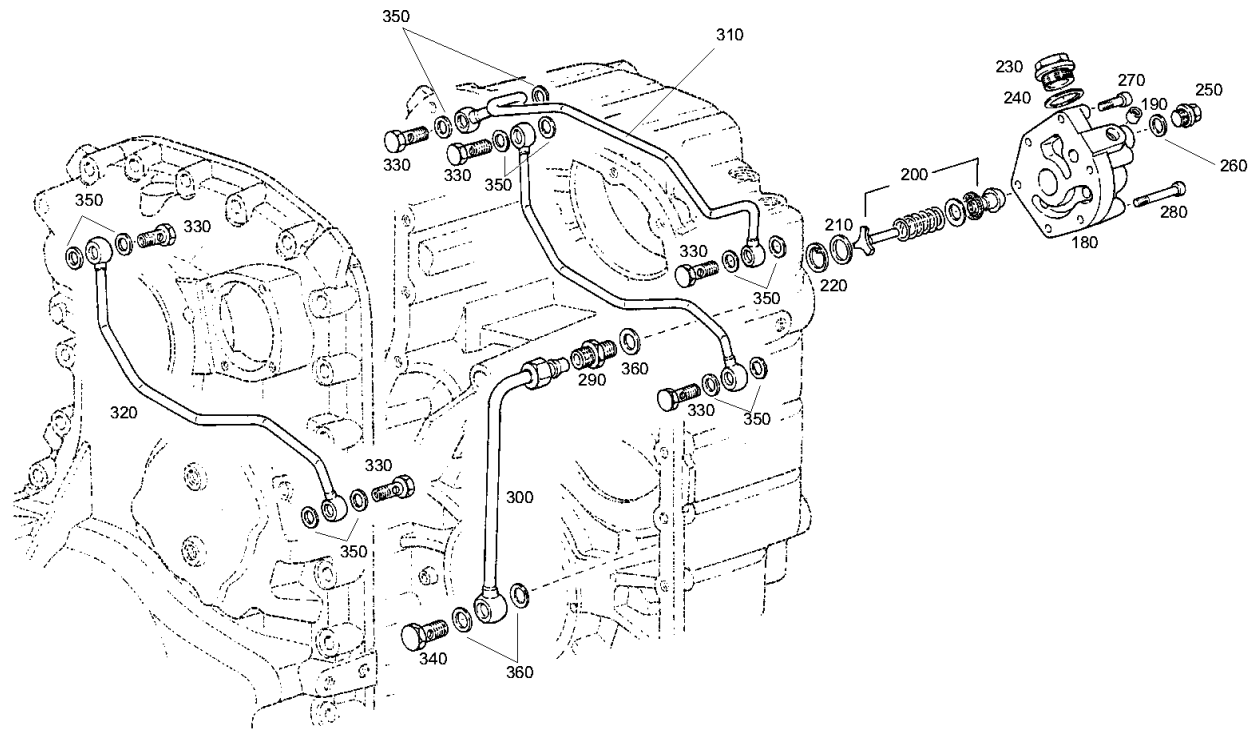
Material number: 5851.001.009

Plant: 585110300102

Material-assembly-group-no: 5851.103.001

VG 2700/400 / KAMAZ Incorporated

HOUSING



# Parts list

Page 1 from 2

Material number: 5851.001.009

Plant: 585110300101

Material-assembly-group-no: 5851.103.001

VG 2700/400 / KAMAZ Incorporated



Pos.	Material number	Customer material	Name	Quantity	ME	Amend. no.	Techn. Info.	Weight	Rep kit	Alternative material
10	5840.302.887		HOUSING	1				84,600		
20	5840.302.886		HOUSING	1				116		
30	5840.333.205		CYLPIN	2				0,019		
40	5841.300.756		HEXAGON BOLT	28				0,113		
50	5851.203.001		SCREW	1			KPL. D-Teil	0,830		
60	5838.300.283		SCREW PLUG	1				0,040		
70	0636.305.061		SCREW PLUG	1			M22X1,5	0,030		
80	0634.801.074		SEALING RING	2			22X27	2,100		
90	0636.301.055		SCREW PLUG	1			M22X1,5	20		
110	0636.301.055		SCREW PLUG	1			M22X1,5	20		
120	0635.460.029		BALL	2			20	33		
130	5840.302.785		WASHER	2				27		
140	5840.333.295		O-RING	2		K02023/0610	11419518/31X1,5 FA.STEYR	0,001		
150	0630.502.017		RETAINING RING	2			34X1,5	0,003		
160	0634.801.250		SEALING RING	2			38X44	5,200		
170	0636.305.074		SCREW PLUG	2			M38X1,5	115		
180	5840.302.978		VALVE BLOCK	1				3,250		
190	5840.333.131		KERNL VERSCHLUSS	1				0,010		
200	5840.302.980		BY-PASS VALVE	1				0,034		
210	5840.302.981		SPACER RING	1				1		
220	5838.300.807		RETAINING RING	1				1		
230	0636.305.002		SCREW PLUG	1			M30X1,5	0,080		
240	0634.801.098		SEALING RING	1			30X36	4,200		
250	0636.305.061		SCREW PLUG	2			M22X1,5	0,030		
260	0634.801.074		SEALING RING	2			22X27	2,100		
270	0636.101.727		CAP SCREW	3			M8X40	0,019		
280	0636.101.720		CAP SCREW	3			M8X70	0,030		
290	0637.842.535		SOCKET	1				0,052		
300	5840.302.975		PRESSURE LINE	1				0,202		
310	5840.302.973		PRESSURE LINE	1				0,212		

## Parts list

Page 2 from 2

Material number: 5851.001.009

Plant: 585110300101

Material-assembly-group-no: 5851.103.001

VG 2700/400 / KAMAZ Incorporated



Pos.	Material number	Customer material	Name	Quantity	ME	Amend. no.	Techn. Info.	Weight	Rep kit	Alternative material
320	5840.302.974		PRESSURE LINE	2				0,212		
330	5840.333.223		UNION SCREW	6				0,040		
340	0637.835.005		UNION SCREW	1				45		
350	0634.801.045		SEALING RING	12			16X20	0,010		
360	0634.801.057		SEALING RING	3			18X22	0,002		
370	5840.302.976		OIL DAM	3				0,003		
380	5840.302.977		OIL DAM	1				5		
390	5840.333.288		PIPE UNION	1			20/8 / 190003989201 ST-A3C	0,009		
400	5840.333.132		PLUG	12				0,010		
410	5840.333.128		KERNL VERSCHLUSS	1				0,010		



# Plant

Page 1 from 1

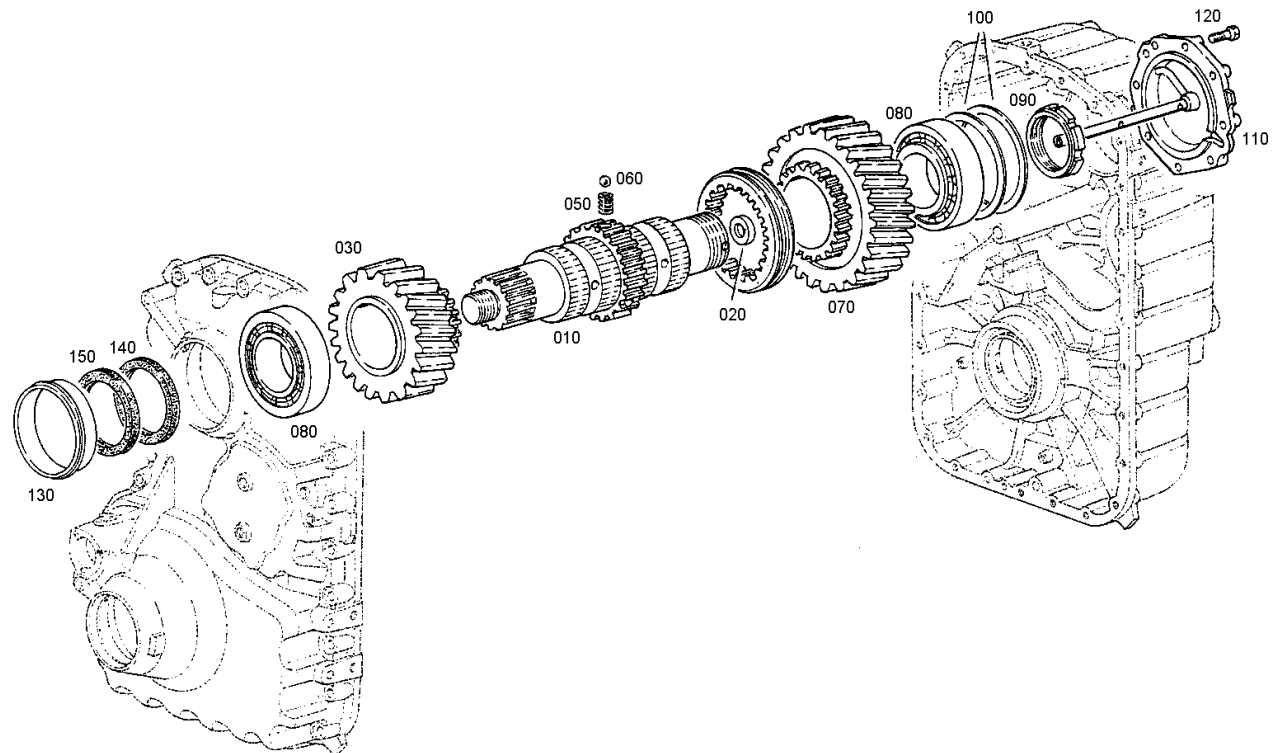
Material number: 5851.001.009

Plant: 585110400100

Material-assembly-group-no: 5851.104.001

VG 2700/400 / KAMAZ Incorporated

INPUT



# Parts list

Page 1 from 1

Material number: 5851.001.009

Plant: 585110400100

Material-assembly-group-no: 5851.104.001

VG 2700/400 / KAMAZ Incorporated



Pos.	Material number	Customer material	Name	Quantity	ME	Amend. no.	Techn. Info.	Weight	Rep kit	Alternative material
10	5840.303.221		INPUT SHAFT	1				26		
20	5841.300.558		OIL DAM	1				0,010		
30	5840.302.901		INPUT GEAR	1				13,760		
40	5840.302.962		GEAR SHIFT SLEEVE	1				3,040		
50	5841.300.006		SPRING	3				0,010		
60	0635.460.021		BALL	3			10	0,010		
70	5840.302.963		INPUT GEAR	1				21,590		
80	0750.120.077		TAROLLBEARING	2			85,725X168,275X53,975	5,300		
90	5840.302.620		SLOTTED NUT	1				0,472		
100	---		SHIM	1				0,000		
---	5840.302.938		SHIM	1				0,044		
---	5840.302.939		SHIM	1				0,046		
---	5840.302.940		SHIM	1				0,050		
---	5840.302.941		SHIM	1				0,100		
---	5840.302.942		SHIM	1				0,056		
---	5840.302.943		SHIM	1				0,010		
---	5840.302.944		SHIM	1				0,060		
---	5840.302.945		SHIM	1				0,060		
110	5840.302.882		END COVER	1				4,350		
120	0636.011.294		HEXAGON BOLT	8			M12X40	46		
130	5840.302.626		POT	1				0,723		
140	5840.302.304		SHAFT SEAL	1				0,098		
150	5840.302.305		SHAFT SEAL	1				0,078		

# Plant

Page 1 from 1

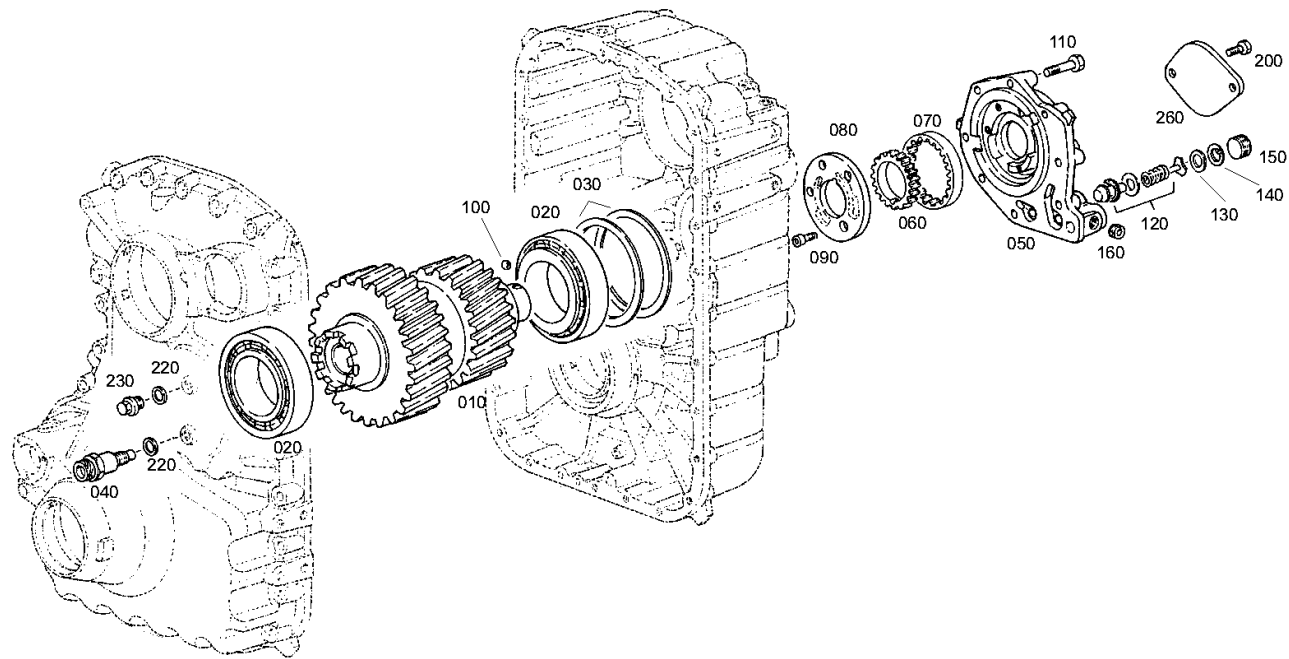
Material number: 5851.001.009

Plant: 585110501300

Material-assembly-group-no: 5851.105.013

VG 2700/400 / KAMAZ Incorporated

INTERMEDIATE SHAFT



# Parts list

Page 1 from 1

Material number: 5851.001.009

Plant: 585110501300

Material-assembly-group-no: 5851.105.013

VG 2700/400 / KAMAZ Incorporated



Pos.	Material number	Customer material	Name	Quantity	ME	Amend. no.	Techn. Info.	Weight	Rep kit	Alternative material
10	5841.302.018		DOUBLE GEAR	1			z=29	37,640		
20	5840.302.982		TAROLLBEARING	2				3,847		
30	---		SHIM	1				0,000		
---	5840.302.946		SHIM	1				0,042		
---	5840.302.947		SHIM	1				0,044		
---	5840.302.948		SHIM	1				56		
---	5840.302.949		SHIM	1				0,050		
---	5840.302.950		SHIM	1				0,055		
---	5840.302.951		SHIM	1				0,060		
---	5840.302.952		SHIM	1				0,010		
---	5840.302.953		SHIM	1				0,064		
40	0501.210.856		PULSE SENSOR	1				0,000		
50	5840.303.052		PUMP HOUSING	1				8,170		
60	5841.300.359		GEAR	1			Z=36	0,210		
70	5841.300.360		GEAR RING	1			Z=44	0,300		
80	5840.302.883		OIL PUMP COVER	1				0,720		
90	0636.102.181		CAP SCREW	4			M6X16	0,004		
100	0635.460.010		BALL	1			6	1		
110	0636.016.180		HEXAGON BOLT	8			M12X50	55		
120	5840.302.778		VALVE	2				0,018		
130	0630.004.039		SHIM RING	2			14X20X1,5	1		
140	0630.502.008		RETAINING RING	2			21X1	0,001		
150	0636.301.055		SCREW PLUG	2			M22X1,5	20		
160	0636.301.041		SCREW PLUG	1			M16X1,5	0,010		
190	2096.374.010		COVER	1				0,570		
200	0636.015.299		HEXAGON BOLT	4			M8X20	0,010		
220	0634.801.057		SEALING RING	1			18X22	0,002		
230	5840.303.040		SCREW PLUG	1				0,027		

# Plant

Page 1 from 1

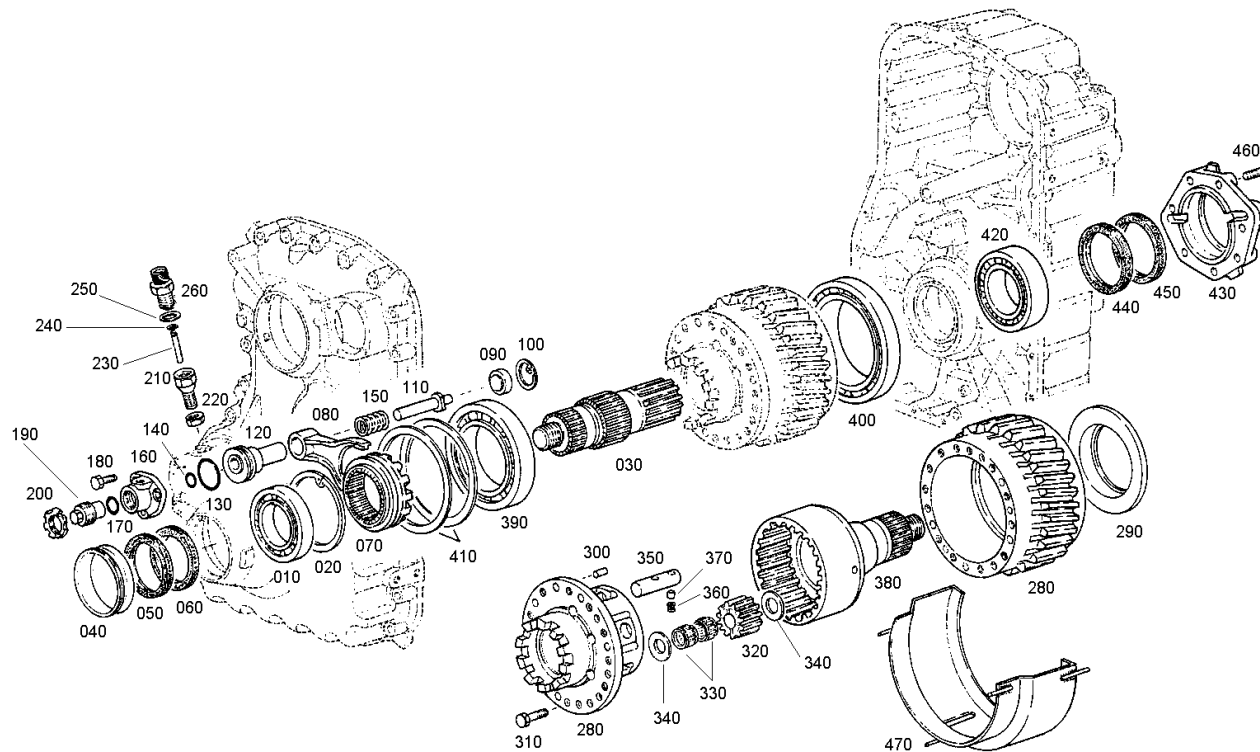
Material number: 5851.001.009

Plant: 585110600100

Material-assembly-group-no: 5851.106.001

VG 2700/400 / KAMAZ Incorporated

OUTPUT



# Parts list

Page 1 from 2

Material number: 5851.001.009

VG 2700/400 / KAMAZ Incorporated

Plant: 585110600100

Material-assembly-group-no: 5851.106.001



Pos.	Material number	Customer material	Name	Quantity	ME	Amend. no.	Techn. Info.	Weight	Rep kit	Alternative material
10	0635.332.066		BALL BEARING	1			80X140X26	1,480		
20	0630.502.051		RETAINING RING	1			140X4	107		
30	5840.302.894		OUTPUT SHAFT	1			Z=25	10,020		
40	5841.300.551		POT	1				0,162		
50	5840.333.233		SHAFT SEAL	1				0,061		
60	5840.333.240		SHAFT SEAL	1				0,057		
70	5840.302.896		GEAR SHIFT SLEEVE	1				1,880		
80	5851.306.005		GEAR SHIFT FORK	1				1,200		
90	5840.302.916		SPRING HOLDER	1				122,300		
100	0630.502.024		RETAINING RING	1			45X1,75	2		
110	5841.300.210		GEAR SHIFT ROD	1				0,280		
120	5841.300.211		GEAR SHIFT PISTON	1				0,450		
130	5840.333.069		SEALING RING	1				0,001		
140	5840.333.067		SEALING RING	1			18X3 /170750240028 FA.STEYR	0,001		
150	5841.300.653		COMPRSPRING	1				0,050		
160	5841.300.162		COVER	1				0,350		
170	5840.333.064		SEALING RING	1				0,010		
180	0636.015.299		HEXAGON BOLT	3			M8X20	0,010		
190	5841.300.161		NUT	1				0,134		
200	5840.302.521		SLOTTED NUT	1				0,039		
210	5841.300.562		SETTING SCREW	1				0,060		
220	5840.333.197		HEXAGON NUT	1				0,011		
230	5841.300.214		PIN	1				0,007		
240	0630.505.536		SNAP RING	1				0,010		
250	0634.801.057		SEALING RING	1			18X22	0,002		
260	5841.300.253		PRESSURE SWITCH	1				0,084		
280	5851.206.001		OUTPUT GEAR	1			kpl.	20		
290	5841.302.142		OIL DAM	1				0,335		
300	5841.300.324		FITTING PIN	9			ähnlich DIN 6325	0,020		
310	0636.020.118		HEXAGON BOLT	12		K00387/0710	M12X1,5X40	0,050		

# Parts list

Page 2 from 2

Material number: 5851.001.009

Plant: 585110600100

Material-assembly-group-no: 5851.106.001

VG 2700/400 / KAMAZ Incorporated



Pos.	Material number	Customer material	Name	Quantity	ME	Amend. no.	Techn. Info.	Weight	Rep kit	Alternative material
320	5840.302.891		PLANET GEAR	5			Z=19	0,480		
330	5840.302.899		NEEDLE CAGE	5			28,0X35,0X54,0	0,042		
340	5840.302.897		THRUST WASHER	10				25		
350	5840.302.892		PLANET SHAFT	5				440		
360	5841.300.544		COMPRSPRING	5				0,010		
370	0631.302.047		CYLINDRICAL PIN	5			6X10	0,010		
380	5840.302.895		OUTPUT SHAFT	1			z=65	14,820		
390	0750.117.766		TAROLLBEARING	1			130,000X200,000X45,000	4,900		
400	0750.117.033		TAROLLBEARING	1			32934-J	4,470		
410	---		SHIM	1				0,000		
---	5840.302.954		SHIM	1				0,060		
---	5840.302.955		SHIM	1				63,200		
---	5840.302.956		SHIM	1				0,062		
---	5840.302.957		SHIM	1				0,733		
---	5840.302.958		SHIM	1				0,078		
---	5840.302.959		SHIM	1				0,083		
---	5840.302.960		SHIM	1				0,050		
---	5840.302.961		SHIM	1				0,090		
420	5840.302.983		SFALIGNBEARG	1				2,685		
430	5841.301.300		BEARING COVER	1				2,920		
440	5840.302.304		SHAFT SEAL	1				0,098		
450	5840.302.305		SHAFT SEAL	1				0,078		
460	0636.011.294		HEXAGON BOLT	7			M12X40	46		
470	5840.302.884		ABDECKDECKEL	1				1,170		

# Plant

Page 1 from 1

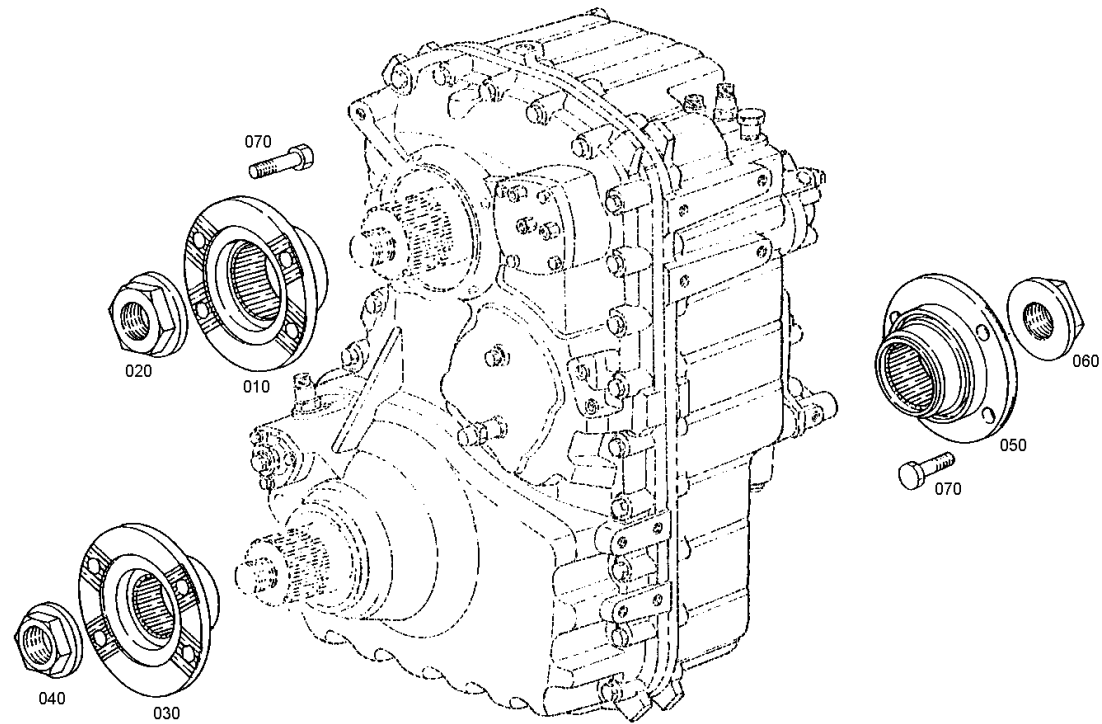
Material number: 5851.001.009

Plant: 585111000100

Material-assembly-group-no: 5851.110.001

VG 2700/400 / KAMAZ Incorporated

FLANGE





## Parts list

Page 1 from 1

Material number: 5851.001.009

VG 2700/400 / KAMAZ Incorporated

Plant: 585111000100

Material-assembly-group-no: 5851.110.001



Pos.	Material number	Customer material	Name	Quantity	ME	Amend. no.	Techn. Info.	Weight	Rep kit	Alternative material
10	5841.300.779		FLANGE	1				4,055		
20	5840.302.621		COLLAR NUT	1			173500220007 FA. STEYR	0,853		
30	5841.300.586		FLANGE	1			Z=38	3,640		
40	5841.300.530		COLLAR NUT	1				0,700		
50	5841.300.779		FLANGE	1				4,055		
60	5840.302.621		COLLAR NUT	1			173500220007 FA. STEYR	0,853		
70	0636.020.211		HEXAGON BOLT	12			M14X1,5X50	0,080		



# Parts list

Page 1 from 2

Material number: 5851.001.009

Plant: 585111201000

Material-assembly-group-no: 5851.112.010

VG 2700/400 / KAMAZ Incorporated



Pos.	Material number	Customer material	Name	Quantity	ME	Amend. no.	Techn. Info.	Weight	Rep kit	Alternative material
10	5840.302.967		GEAR SHIFT ROD	1				0,910		
20	5851.312.002		GEAR SHIFT FORK	1				1,930		
30	5841.300.624		SCREW	2				0,030		
40	5840.302.979		SLIDING PAD	2				0,048		
50	5851.312.001		SHIFT CYLINDER	1				1,135		
60	5840.333.137		SEALING RING	1			26X3 /199118250427 FA.STEYR	0,001		
70	0501.323.115		PLUG	2				0,001		
80	---		WASHER	1				0,000		
---	0630.004.264		SHIM RING	1			18X25X0,2	0,001		
---	5840.333.211		SHIM RING	1				0,001		
---	0630.004.042		SHIM RING	1			18X25X1	0,002		
---	0630.004.288		SHIM RING	1			18X25X1,8	1		
120	5840.302.971		PISTON	1				0,170		
130	5838.300.726		SEALING RING	1				0,001		
140	5840.302.966		PISTON	1				0,100		
150	5840.302.987		SEALING RING	1				0,001		
160	5840.302.965		PISTON	1				0,203		
170	5840.303.318		SEALING RING	1			199118250406 STEYR 39X3	0,001		
180	5840.333.067		SEALING RING	1			18X3 /170750240028 FA.STEYR	0,001		
190	0636.420.081		COUNTERSSCREW	1			M12X30	0,030		
200	5840.302.964		COVER	1				1,050		
210	0636.015.227		HEXAGON BOLT	4			M10X35	30		
220	0634.801.205		SEALING RING	3			12X15,5	0,008		
230	5840.303.316		REDUCTION PIECE	3				0,027		
250	0634.801.057		SEALING RING	2			18X22	0,002		
260	0636.302.021		SCREW PLUG	1			M18X1,5	0,090		
270	5841.300.432		PIN	1				0,010		
280	0630.505.536		SNAP RING	1				0,010		

# Parts list

Page 2 from 2

Material number: 5851.001.009

VG 2700/400 / KAMAZ Incorporated

Plant: 585111201000

Material-assembly-group-no: 5851.112.010



Pos.	Material number	Customer material	Name	Quantity	ME	Amend. no.	Techn. Info.	Weight	Rep kit	Alternative material
340	5841.300.254		PRESSURE SWITCH	1				0,084		

# Plant

Page 1 from 1

Material number: 5851.001.009

Plant: 584813900200

Material-assembly-group-no: 5848.139.002

VG 2700/400 / KAMAZ Incorporated

TYPE PLATE



# Parts list

Page 1 from 1

Material number: 5851.001.009

VG 2700/400 / KAMAZ Incorporated

Plant: 584813900200

Material-assembly-group-no: 5848.139.002



Pos.	Material number	Customer material	Name	Quantity	ME	Amend. no.	Techn. Info.	Weight	Rep kit	Alternative material
10	5838.300.737		TYPE PLATE	1				0,002		
20	5838.300.301		GROOVED STUD	2				0,001		